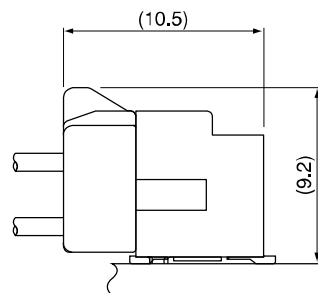
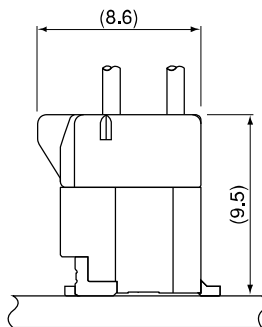


Specifications

- Current rating: 2A AC, DC
- Voltage rating: 100V AC, DC
- Temperature range: -25°C ~ +85°C
- Contact resistance: 30mΩ Max.
- Insulation resistance: 500MΩ Min.
- Withstanding voltage: 500V AC/minute
- *Compliant with RoHS and REACH*
- *Meet the HF/Halogen Free, need to customize*
- *Contact HDGC for details*

Assembly layout





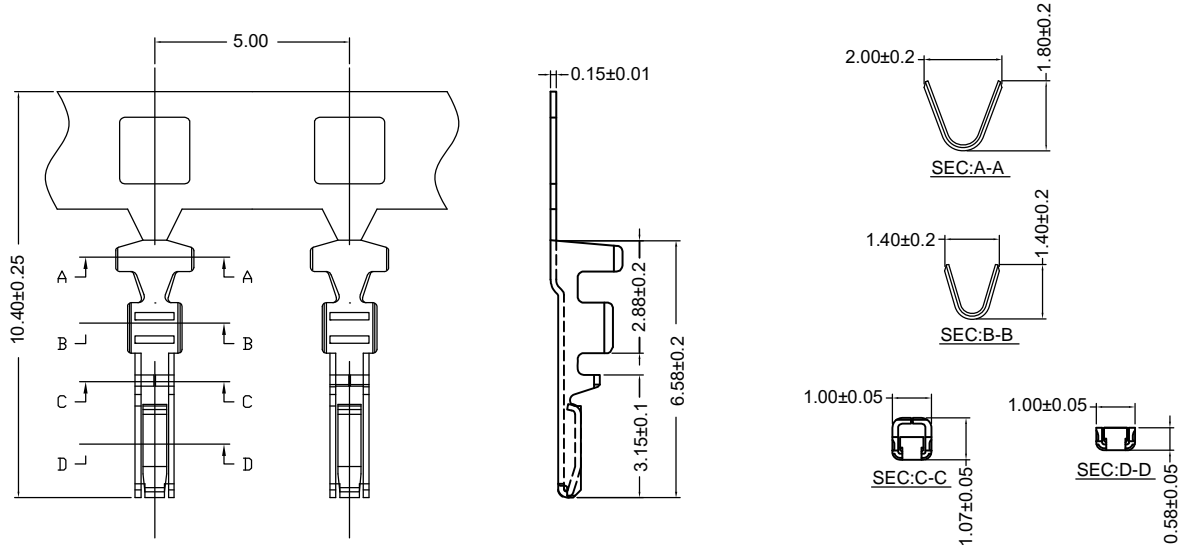
HDGC1505 Series 1.50mm (.059") Pitch Wire to Board Connector

HDGC1505-T

1.50mm pitch Crimp Terminal

Reference Informations:

*Used in HDGC1505H-2xXP Dual Row series Housing



Ordering information & Specifications:

Unit:mm

Part NO.	Wire Range	Insulation O.D.	Material	Finish	Qty/reel
HDGC1505-TP	AWG#24-#28	1.20mm(max)	Phosphor Bronze	Tin over Nickel	15,000 PCS
HDGC1505-GP	AWG#24-#28	1.20mm(max)	Phosphor Bronze	Gold over Nickel	15,000 PCS

Optional Gold plating available but MOQ requested

HDGC1505H-2xXP

1.50mm pitch Dual Row Housing

Reference Informations:

*Material:Nylon 66,UL94V-0

*Suitable HDGC1505-T series Terminal

*Mates with HDGC1505WV-S-2xXP/WR-S-2xXP

Dual Rowseries Wafer

*Color:White

Ordering Information:

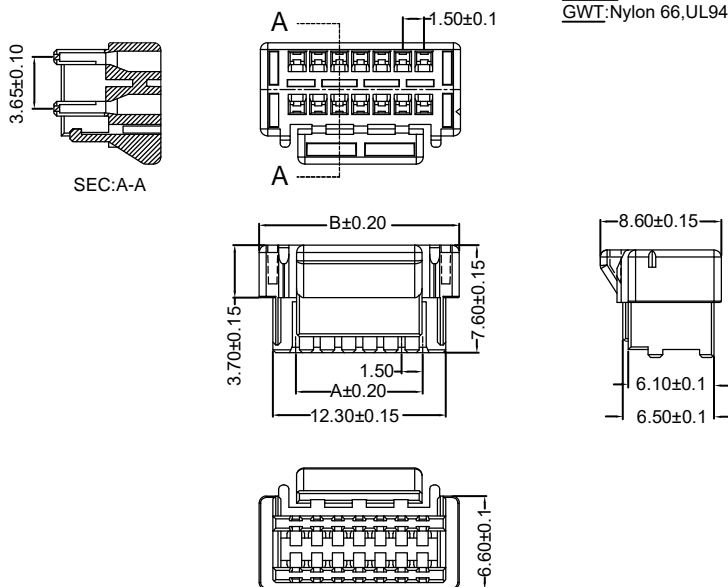
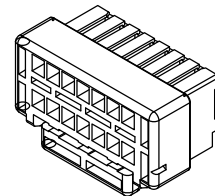
HDGC1505H-2xXP - ***
1 2

1.Part No.

2.Material:

(blank):Nylon 66,UL94V-0

GWT:Nylon 66,UL94V-0,GWT 750°C



Ordering Information & Dimensions:

PART NO.	Dimensions	
	A	B
2x5P	6.00	11.20
2x6P	7.50	12.70
2x7P	9.00	14.20
2x8P	10.50	15.70
2x9P	12.00	17.20
2x10P	13.50	18.70
2x11P	15.00	20.20
2x12P	16.50	21.70
2x13P	18.00	23.20
2x14P	19.50	24.70
2x15P	21.00	26.20

Unit: mm



HDGC1505 Series 1.50mm (.059") Pitch Wire to Board Connector

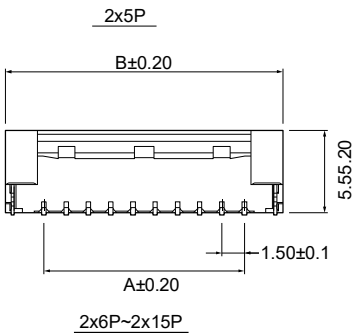
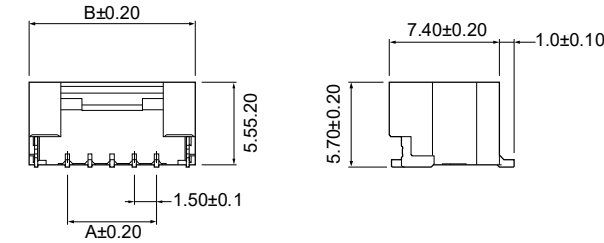
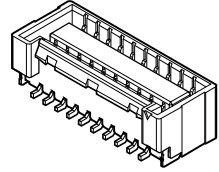
HDGC1505WV-S-2xXP

1.50mm pitch 180° Dual Row Wafer-SMT TYPE

Reference Informations:

- *Material: Pin: Brass/Tin over Nickel
Insulator: LCP, UL94V-0
- *Mates with HDGC1505H-2xXP Dual Row series Housing
- *Color: Natural

- Ordering Information:
 $\frac{\text{HDGC1505WV-S-2xXP} - \text{***} - \text{**}}{1 \quad 2 \quad 3}$
1. Part No.
 2. Material:
(Blank): LCP, UL94V-0
GWT: LCP, UL94V-0, GWT 750 °C
 3. Finish:
(Blank): Tin over Nickel
G: Gold over Nickel



Ordering Information & Dimensions:

PART NO.	Dimensions		
	A	B	C
2x5P	6.00	11.20	9.20
2x6P	7.50	12.70	10.70
2x7P	9.00	14.20	12.20
2x8P	10.50	15.70	13.70
2x9P	12.00	17.20	15.20
2x10P	13.50	18.70	16.70
2x11P	15.00	20.20	18.20
2x12P	16.50	21.70	19.70
2x13P	18.00	23.20	21.20
2x14P	19.50	24.70	22.70
2x15P	21.00	26.20	24.20

Unit: mm

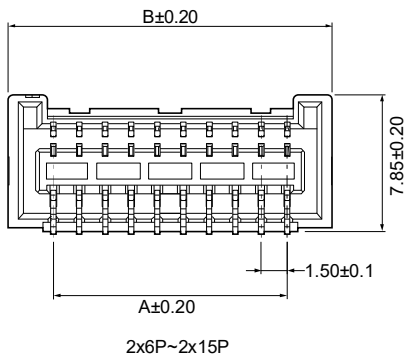
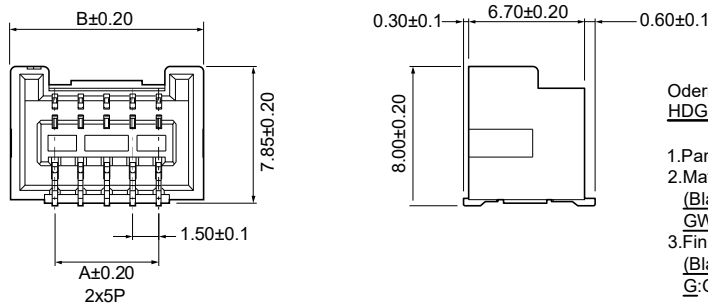
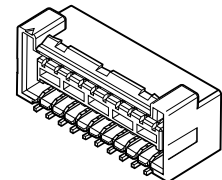
HDGC1505WR-S-2xXP

1.50mm pitch 90° Dual Row Wafer-SMT TYPE

Reference Informations:

- *Material: Pin: Brass/Tin over Nickel
Insulator: LCP, UL94V-0
- *Mates with HDGC1505H-2xXP Dual Row series Housing
- *Color: Natural

- Ordering Information:
 $\frac{\text{HDGC1505WR-S-2xXP} - \text{***} - \text{**}}{1 \quad 2 \quad 3}$
1. Part No.
 2. Material:
(Blank): LCP, UL94V-0
GWT: LCP, UL94V-0, GWT 750 °C
 3. Finish:
(Blank): Tin over Nickel
G: Gold over Nickel



Ordering Information & Dimensions:

PART NO.	Dimensions	
	A	B
2x5P	6.00	11.20
2x6P	7.50	12.70
2x7P	9.00	14.20
2x8P	10.50	15.70
2x9P	12.00	17.20
2x10P	13.50	18.70
2x11P	15.00	20.20
2x12P	16.50	21.70
2x13P	18.00	23.20
2x14P	19.50	24.70
2x15P	21.00	26.20

Unit: mm