

Specifications(Ordinary)

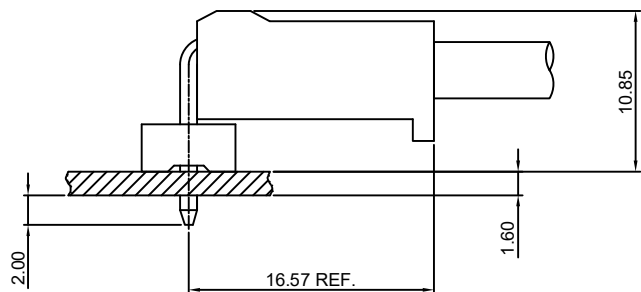
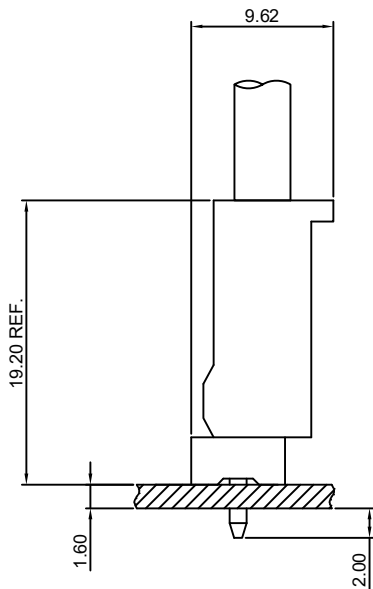
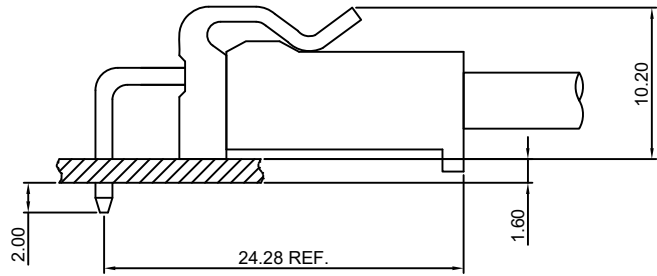
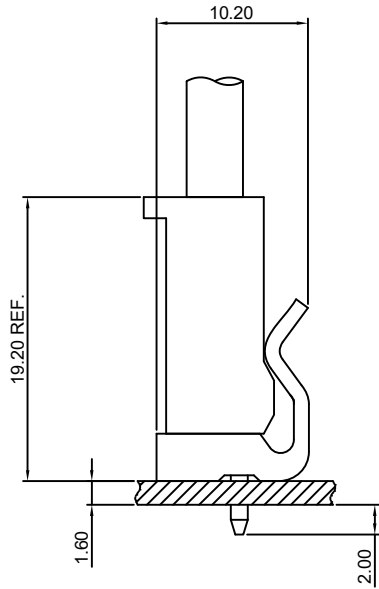
Current rating:7A AC,DC
 Voltage rating:250V AC,DC
 Temperature range:-25°C~+85°C
 Contact resistance:10mΩMax.
 Insulation resistance:1000MΩMin.
 Withstanding voltage:1500V AC/minute
 *Meet the HF/Halogen Free,GWT/Glow wire
 Test (IEC60335-1) request,need to
 customize*
 Contact HDGC for details

Specifications(Special)

Current rating:34A AC,DC
 Voltage rating:600V AC,DC
 Temperature range:-25°C~+85°C
 Contact resistance:30mΩMax.
 Insulation resistance:1000MΩMin.
 Withstanding voltage:5000V AC/minute
 *Meet the HF/Halogen Free,GWT/Glow wire
 Test (IEC60335-1) request,need to
 customize*
 Contact HDGC for details



Assembly layout





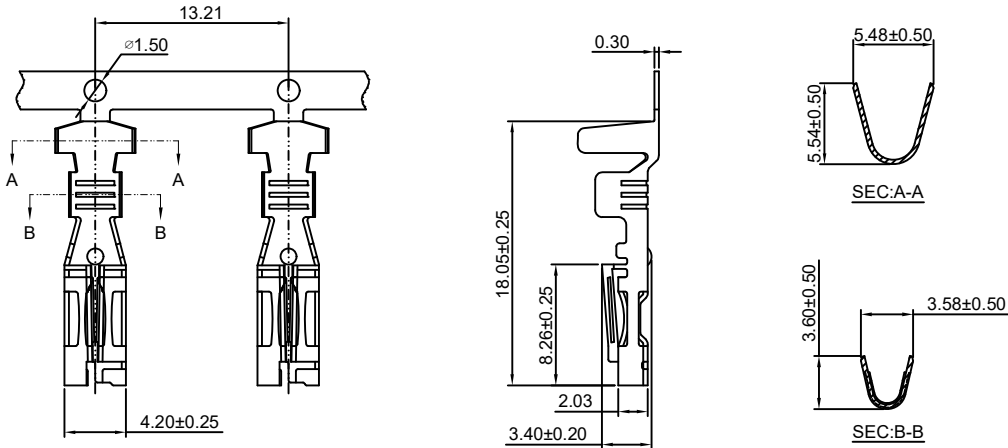
HDGC7501 Series 7.50mm (.295") - 5.00mm (.197") Pitch Wire to Board and Wire to Wire Connector

HDGC7501AF-T

7.50mm pitch Crimp Terminal

Reference Informations:

*Used in HDGC7501HFA-XP series Housing



Ordering information & Specifications:

Unit:mm

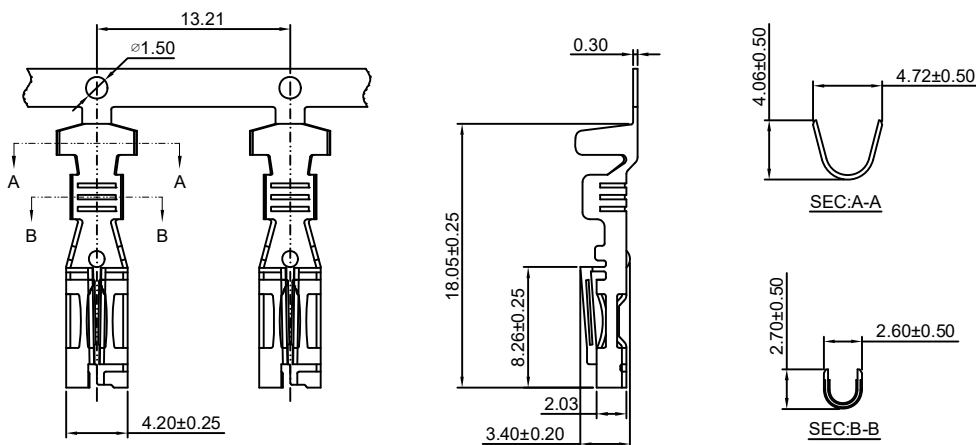
Part NO.	Wire Range	Insulation O.D.	Material	Finish	Qty/reel
HDGC7501AF-TB	AWG#14-#16	4.57mm(max)	Brass	Tin over Nickel	5,000 PCS

HDGC7501AF-T-L

7.50mm pitch Crimp Terminal

Reference Informations:

*Used in HDGC7501HFA-XP series Housing



Ordering information & Specifications:

Unit:mm

Part NO.	Wire Range	Insulation O.D.	Material	Finish	Qty/reel
HDGC7501AF-TB-L	AWG#14-#16	3.30mm(max)	Brass	Tin over Nickel	5,000 PCS



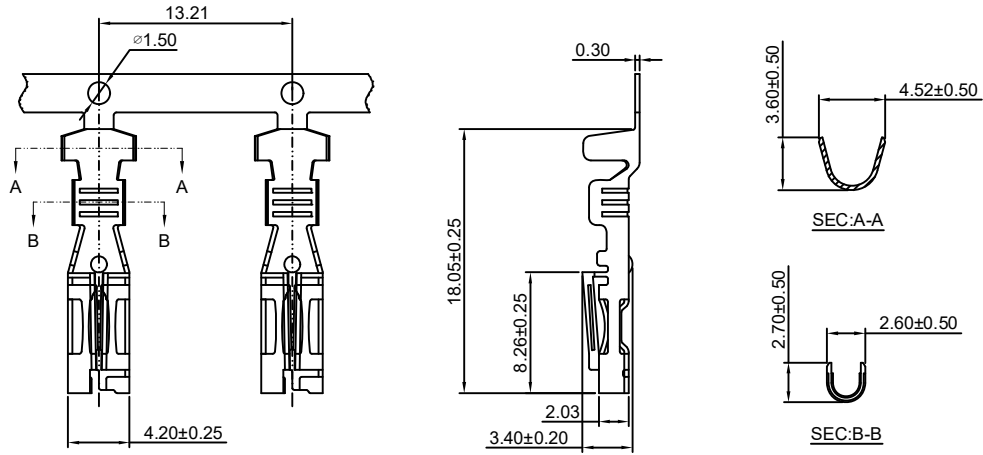
HDGC7501 Series 7.50mm (.295") - 5.00mm (.197") Pitch Wire to Board and Wire to Wire Connector

HDGC7501AF-T-LL

7.50mm pitch Crimp Terminal

Reference Informations:

*Used in HDGC7501HFA-XP series Housing



Ordering information & Specifications:

Unit:mm

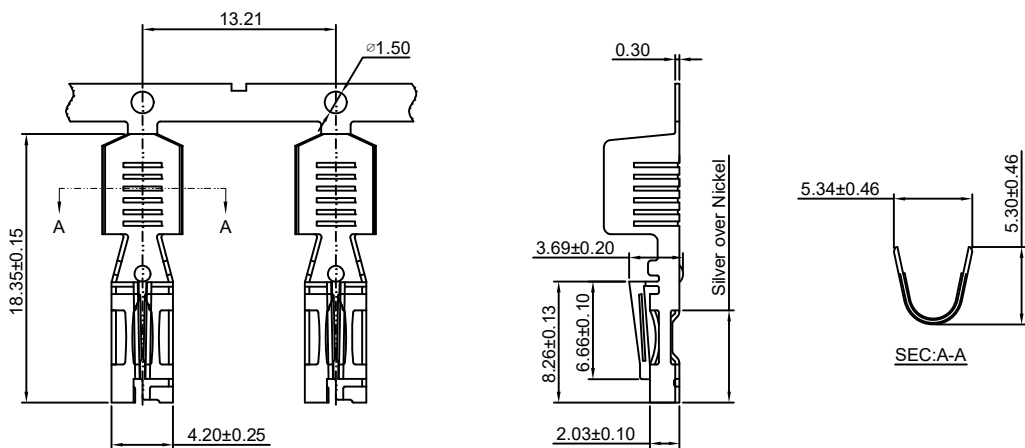
Part NO.	Wire Range	Insulation O.D.	Material	Finish	Qty/reel
HDGC7501AF-TB-LL	AWG#18-#20	2.85mm(max)	Brass	Tin over Nickel	5,000 PCS

HDGC7501AF-SCA

7.50mm pitch Crimp Terminal

Reference Informations:

*Used in HDGC7501HFA-XP series Housing



Ordering information & Specifications:

Unit:mm

Part NO.	Wire Range	Insulation O.D.	Material	Finish	Qty/reel
HDGC7501AF-TB-HH	AWG#10-#12	4.57mm(max)	Brass	Tin over Nickel	5,000 PCS
HDGC7501AF-SCA	AWG#10-#12	4.57mm(max)	Copper Alloy	Silver over Nickel	5,000 PCS



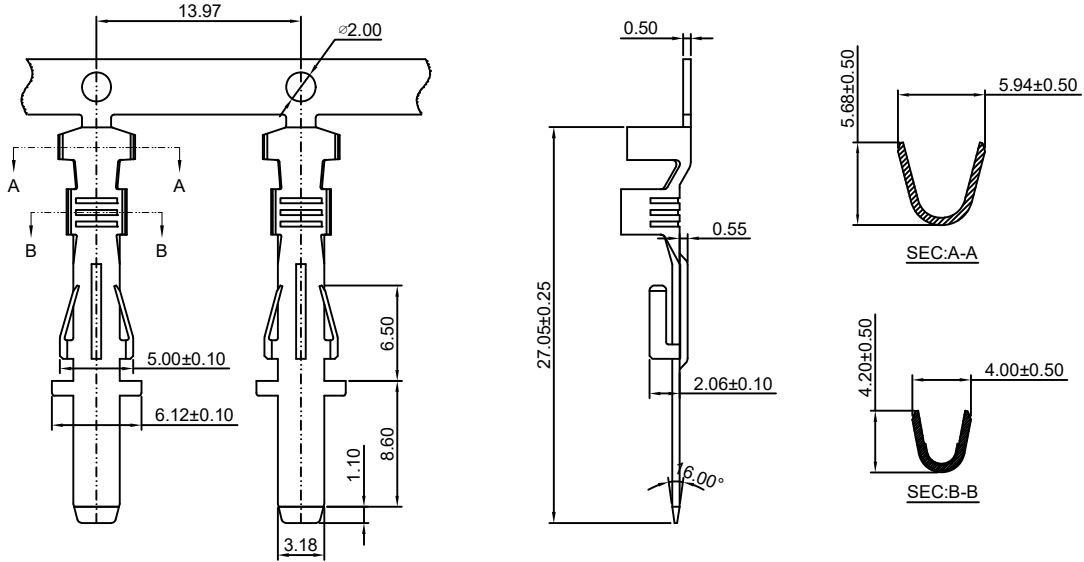
HDGC7501 Series 7.50mm (.295") - 5.00mm (.197") Pitch Wire to Board and Wire to Wire Connector

HDGC7501AM-T

7.50mm pitch Crimp Terminal

Reference Informations:

*Used in HDGC7501HMA-XP series Housing



Ordering information & Specifications:

Unit:mm

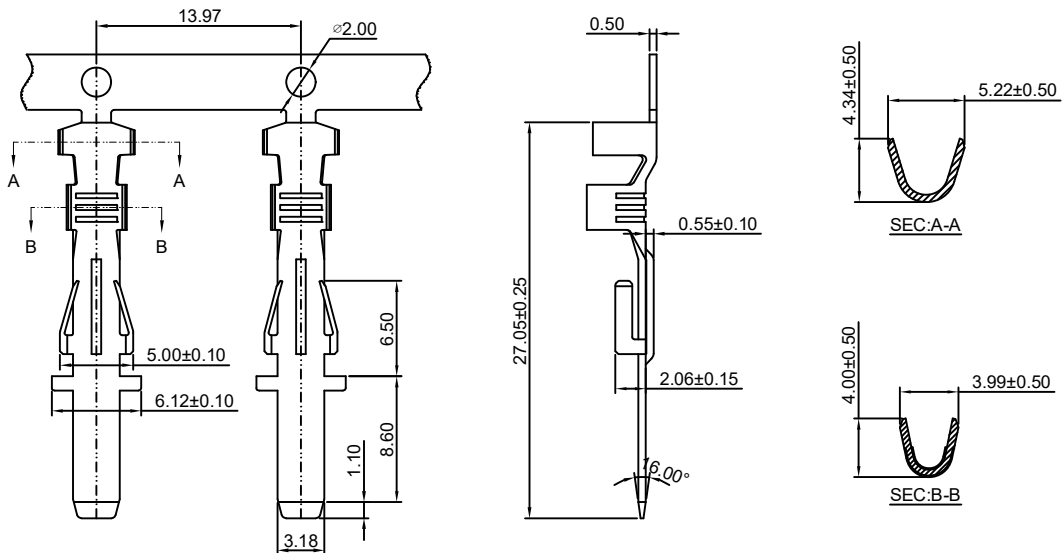
Part NO.	Wire Range	Insulation O.D.	Material	Finish	Qty/reel
HDGC7501AM-TB	AWG#14-#16	4.57mm(max)	Brass	Tin over Nickel	5,000 PCS
HDGC7501AM-TBS	AWG#14-#16	4.57mm(max)	Brass	Unplated	5,000 PCS

HDGC7501AM-T-L

7.50mm pitch Crimp Terminal

Reference Informations:

*Used in HDGC7501HMA-XP series Housing



Ordering information & Specifications:

Unit:mm

Part NO.	Wire Range	Insulation O.D.	Material	Finish	Qty/reel
HDGC7501AM-TB-L	AWG#18	3.30mm(max)	Brass	Tin over Nickel	5,000 PCS
HDGC7501AM-TBS-L	AWG#18	3.30mm(max)	Brass	Unplated	5,000 PCS

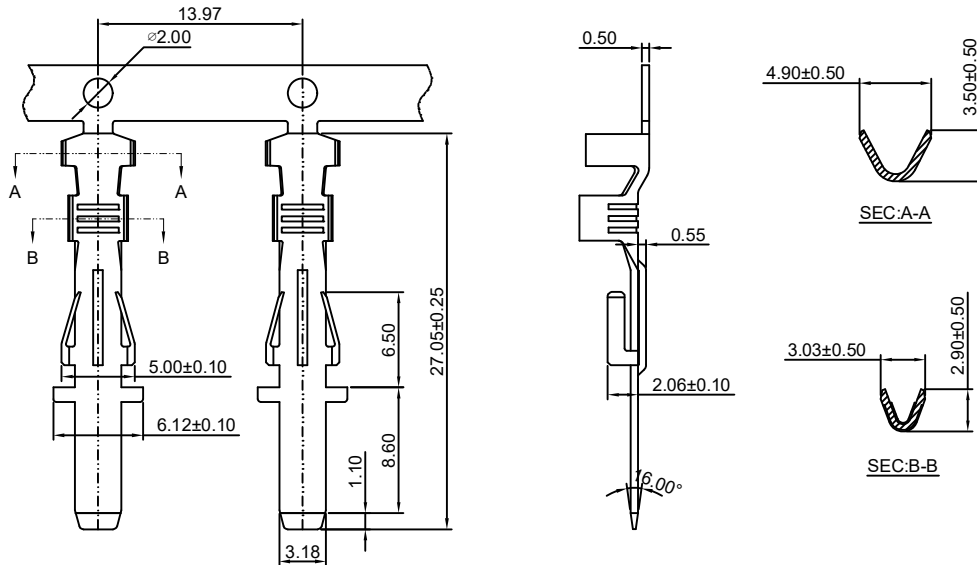


HDGC7501AM-T-LL

7.50mm pitch Crimp Terminal

Reference Informations:

*Used in HDGC7501HMA-XP series Housing



Ordering information & Specifications:

Unit:mm

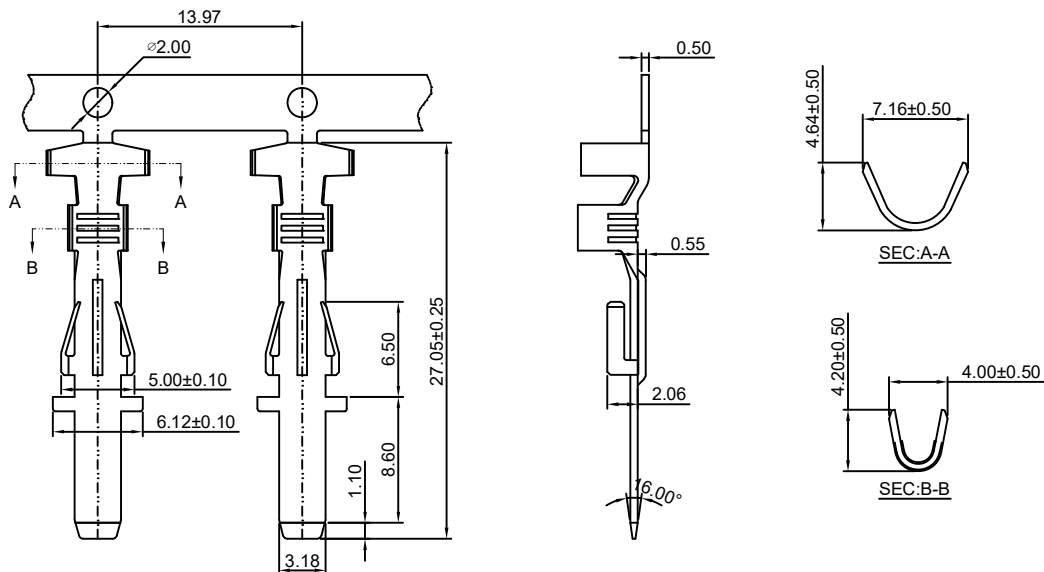
Part NO.	Wire Range	Insulation O.D.	Material	Finish	Qty/reel
HDGC7501AM-TB-LL	AWG#18-#20	3.30mm(max)	Brass	Tin over Nickel	5,000 PCS
HDGC7501AM-TBS-LL	AWG#18-#20	3.30mm(max)	Brass	Unplated	5,000 PCS

HDGC7501AM-T-H

7.50mm pitch Crimp Terminal

Reference Informations:

*Used in HDGC7501HMA-XP series Housing



Ordering information & Specifications:

Unit:mm

Part NO.	Wire Range	Insulation O.D.	Material	Finish	Qty/reel
HDGC7501AM-TB-H	DOUBLE AWG#18	4.57mm(max)	Brass	Tin over Nickel	5,000 PCS
HDGC7501AM-TBS-H	DOUBLE AWG#18	4.57mm(max)	Brass	Unplated	5,000 PCS



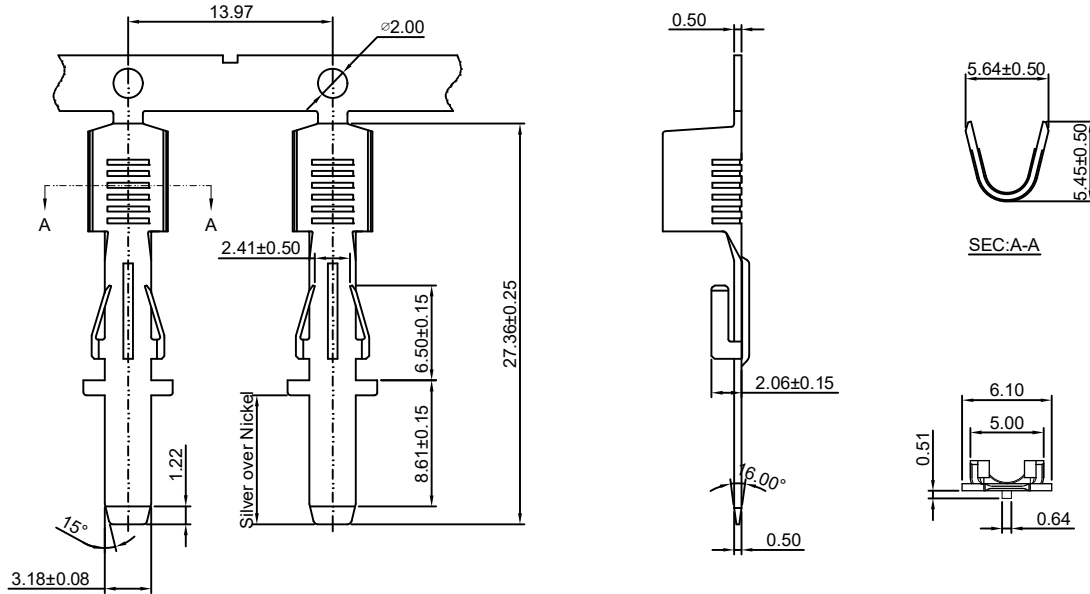
HDGC7501 Series 7.50mm (.295") - 5.00mm (.197") Pitch Wire to Board and Wire to Wire Connector

HDGC7501AM-SCA

7.50mm pitch Crimp Terminal

Reference Informations:

*Used in HDGC7501HMA-XP series Housing



Ordering information & Specifications:

Unit:mm

Part NO.	Wire Range	Insulation O.D.	Material	Finish	Qty/reel
HDGC7501AM-TB-HH	AWG#10-#12	4.57mm(max)	Brass	Tin over Nickel	5,000 PCS
HDGC7501AM-SCA	AWG#10-#12	4.57mm(max)	Copper Alloy	Silver over Nickel	5,000 PCS

HDGC7501H-XP

7.50-5.00mm pitch Housing

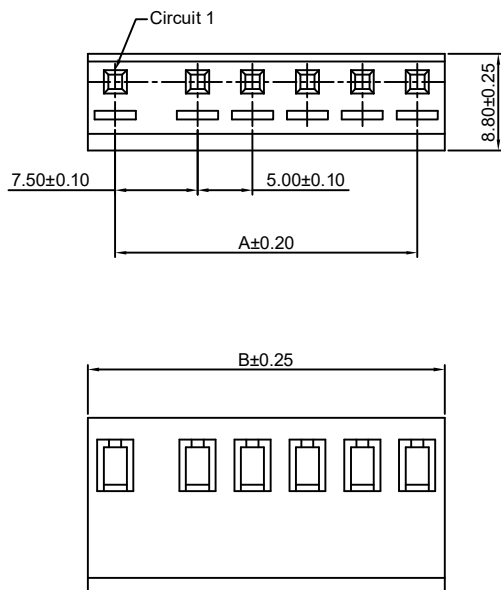
Reference Informations:

*Material:Nylon 66,UL94V-2

*Suitable HDGC3964-T(-L) series Terminal

*Mates with HDGC7501WV,WR,WVA,WRA-XP series Wafer

*Color:Natural

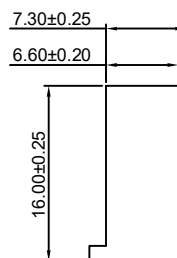
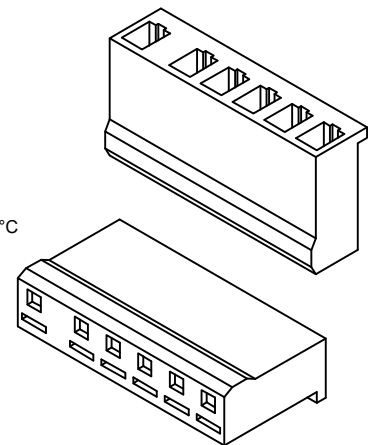


Ordering Information:

HDGC7501H-XP - ***
1 2

1.Part No.

2.Material:
(blank)-Nylon 66,UL94V-2(Natural)
VQ-Nylon 66,UL94V-0(Black)
GWT-Nylon 66,UL94V-0,GWT 750°C



Ordering Information & Dimensions:

PART NO.	Dimensions	
	A	B
2P	7.50	12.50
3P	12.50	17.50
4P	15.24	22.50
5P	20.32	27.50
6P	25.40	32.50

Unit: mm



HDGC7501 Series 7.50mm (.295") - 5.00mm (.197") Pitch Wire to Board and Wire to Wire Connector

HDGC7501HFA-XP

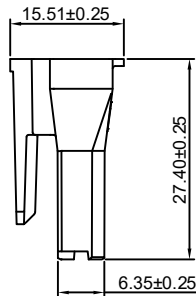
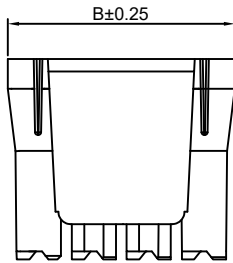
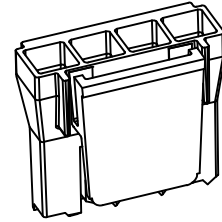
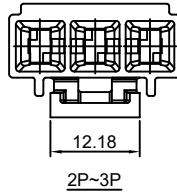
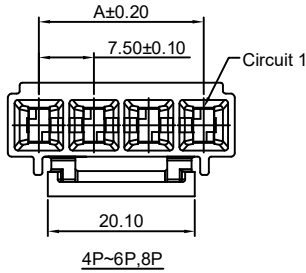
7.50mm pitch Housing

Reference Informations:

- *Material:Nylon 66,UL94V-0
- *Suitable HDGC7501AF-T(-L/-LL),HDGC7501AF-SCA series Terminal
- *Mates with HDGC7501HMA-XP series Housing
- *Color:Black

Ordering Information:

- HDGC7501HFA-XP - ***
 $\frac{1}{2}$
- Part No.
 - Material:
 (blank)-Nylon 66,UL94V-0(Black)
 V2-Nylon 66,UL94V-2(Natural)
 GWT-Nylon 66,UL94V-0,GWT 750°C(Black)



Ordering Information & Dimensions:

PART NO.	Dimensions	
	A	B
2P	7.50	15.98
3P	15.00	23.48
4P	22.50	30.98
5P	30.00	38.48
6P	37.50	45.98
8P	52.50	60.98

Unit: mm

HDGC7501HMA-XP

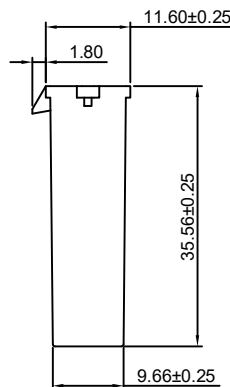
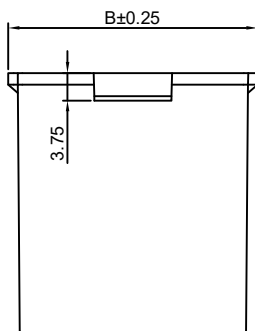
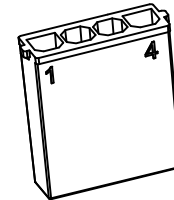
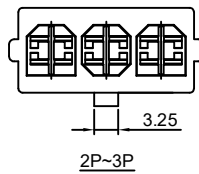
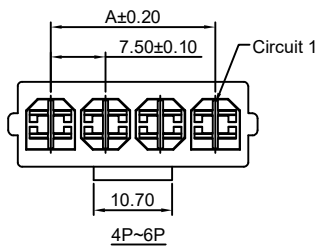
7.50mm pitch Housing

Reference Informations:

- *Material:Nylon 66,UL94V-2
- *Suitable HDGC7501AM-T(-L/-LL/-H),HDGC7501AM-SCA series Terminal
- *Mates with HDGC7501HFA-XP series Housing
- *Color:Black

Ordering Information:

- HDGC7501HMA-XP - ***
 $\frac{1}{2}$
- Part No.
 - Material:
 (blank)-Nylon 66,UL94V-0(Black)
 V2-Nylon 66,UL94V-2(Natural)
 GWT-Nylon 66,UL94V-0,GWT 750°C(Black)



Ordering Information & Dimensions:

PART NO.	Dimensions	
	A	B
2P	7.50	15.86
3P	15.00	23.36
4P	22.50	30.86
5P	30.00	38.36
6P	37.50	45.86

Unit: mm



HDGC7501 Series 7.50mm (.295") - 5.00mm (.197") Pitch Wire to Board and Wire to Wire Connector

HDGC7501WV-XP

7.50-5.00mm pitch 180° Wafer

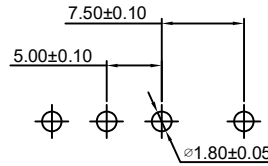
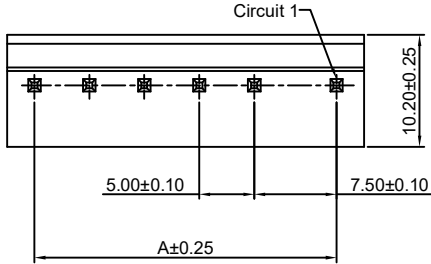
Reference Informations:

- *Material: Pin: Brass/Tin over Nickel
Insulator: Nylon 66, UL94V-2
- *Mates with HDGC7501H-XP series Housing
- *Color: Natural

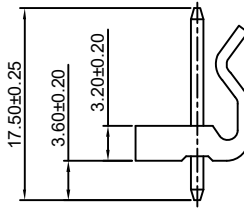
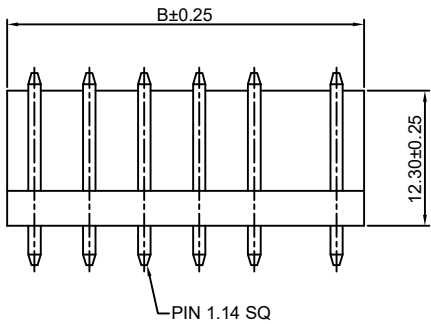
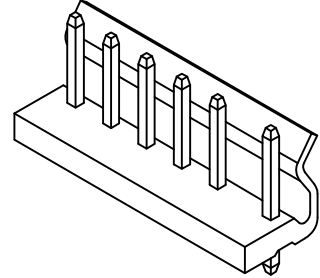
Ordering Information:

HDGC7501WV-XP - *** - **
1 2 3

1. Part No.
2. Material:
(blank)-Nylon 66, UL94V-2 (Natural)
V0-Nylon 66, UL94V-0 (White)
GWT-Nylon 66, UL94V-0, GWT 750°C
3. Finish:
(blank): Tin over Nickel
G: Gold over Nickel



P.C.B LAYOUT



Ordering Information & Dimensions:

PART NO.	Dimensions	
	A	B
2P	7.50	12.50
3P	12.50	17.50
4P	15.24	22.50
5P	20.32	27.50
6P	25.40	32.50

Unit: mm

HDGC7501WR-XP

7.50-5.00mm pitch 90° Wafer

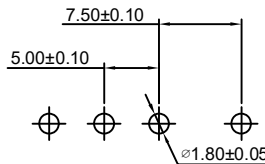
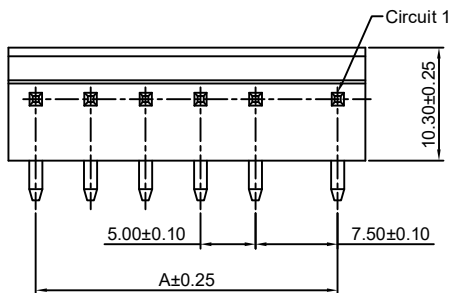
Reference Informations:

- *Material: Pin: Brass/Tin over Nickel
Insulator: Nylon 66, UL94V-2
- *Mates with HDGC7501H-XP series Housing
- *Color: Natural

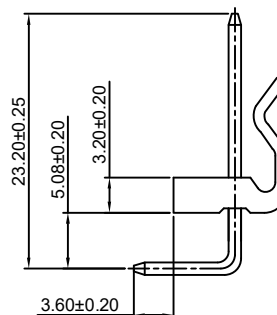
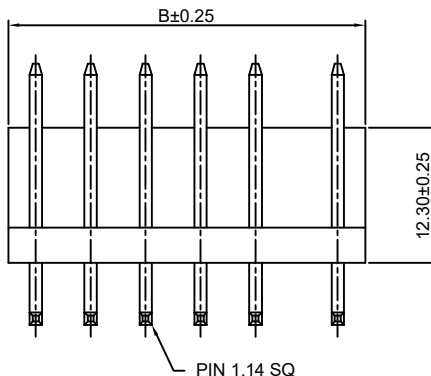
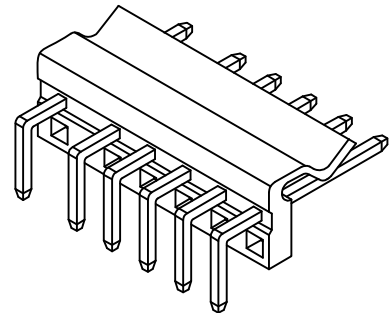
Ordering Information:

HDGC7501WR-XP - *** - **
1 2 3

1. Part No.
2. Material:
(blank)-Nylon 66, UL94V-2 (Natural)
V0-Nylon 66, UL94V-0 (White)
GWT-Nylon 66, UL94V-0, GWT 750°C
3. Finish:
(blank): Tin over Nickel
G: Gold over Nickel



P.C.B LAYOUT



Ordering Information & Dimensions:

PART NO.	Dimensions	
	A	B
2P	7.50	12.50
3P	12.50	17.50
4P	15.24	22.50
5P	20.32	27.50
6P	25.40	32.50

Unit: mm



HDGC7501 Series 7.50mm (.295") - 5.00mm (.197") Pitch Wire to Board and Wire to Wire Connector

HDGC7501WVA-XP

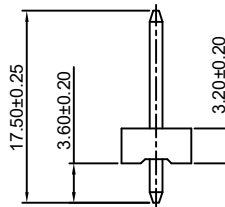
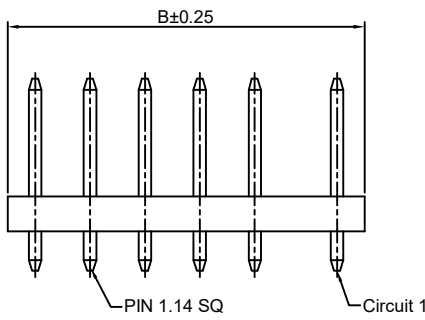
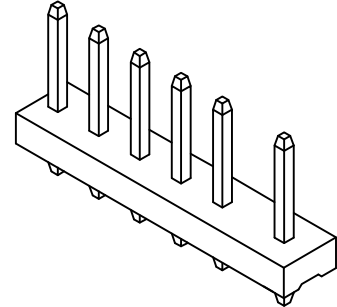
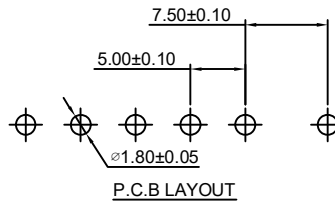
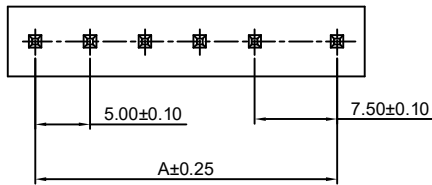
7.50-5.00mm pitch 180° Wafer

Reference Informations:

- *Material: Pin: Brass/Tin over Nickel
Insulator: Nylon 66, UL94V-2
- *Mates with HDGC7501H-XP series Housing
- *Color: Natural

Ordering Information:

- HDGC7501WVA-XP - $\frac{***}{1} - \frac{**}{2} - \frac{**}{3}$
- Part No.
 - Material:
(blank)-Nylon 66, UL94V-2 (Natural)
V0-Nylon 66, UL94V-0 (White)
GWT-Nylon 66, UL94V-0, GWT 750°C
 - Finish:
(blank): Tin over Nickel
G: Gold over Nickel



Ordering Information & Dimensions:

PART NO.	Dimensions	
	A	B
2P	7.50	12.50
3P	12.50	17.50
4P	15.24	22.50
5P	20.32	27.50
6P	25.40	32.50

Unit: mm

HDGC7501WRA-XP

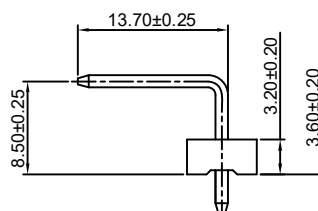
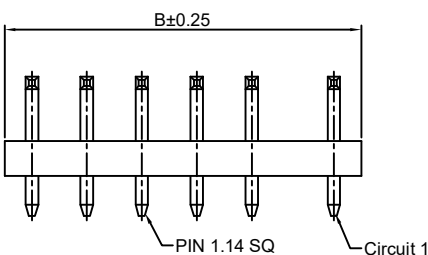
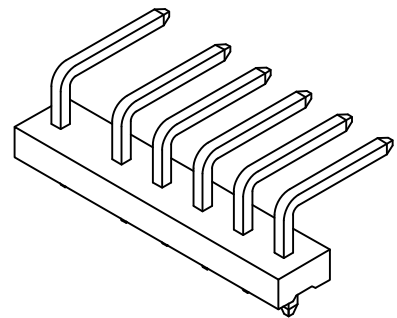
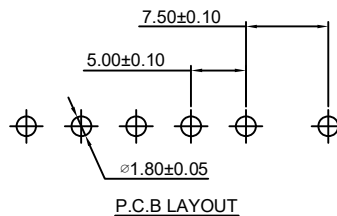
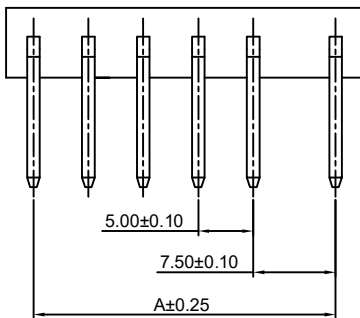
7.50-5.00mm pitch 90° Wafer

Reference Informations:

- *Material: Pin: Brass/Tin over Nickel
Insulator: Nylon 66, UL94V-2
- *Mates with HDGC7501H-XP series Housing
- *Color: Natural

Ordering Information:

- HDGC7501WRA-XP - $\frac{***}{1} - \frac{**}{2} - \frac{**}{3}$
- Part No.
 - Material:
(blank)-Nylon 66, UL94V-2 (Natural)
V0-Nylon 66, UL94V-0 (White)
GWT-Nylon 66, UL94V-0, GWT 750°C
 - Finish:
(blank): Tin over Nickel
G: Gold over Nickel



Ordering Information & Dimensions:

PART NO.	Dimensions	
	A	B
2P	7.50	12.50
3P	12.50	17.50
4P	15.24	22.50
5P	20.32	27.50
6P	25.40	32.50

Unit: mm