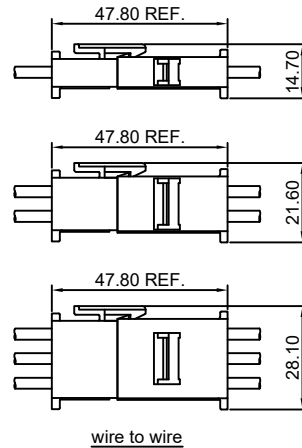
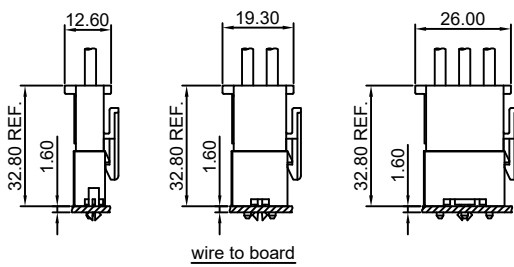


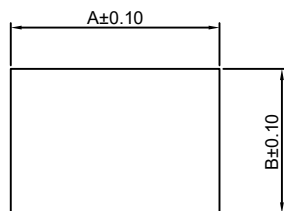
### Specifications

- Current rating: 12A AC, DC
- Voltage rating: 600V AC, DC
- Temperature range: -25°C ~ +85°C
- Contact resistance: 10mΩ Max.
- Insulation resistance: 1000MΩ Min.
- Withstanding voltage: 1500V AC/minute
- \*Compliant with RoHS and REACH\*
- \*Meet the HF/Halogen Free, GWT/Glow wire Test (IEC60335-1) request, need to customize\*
- \*Contact HDGC for details\*

### Assembly layout



### Panel hole layout



PART NO.	Dimensions	
	A	B
HDGC6701HM-1P	14.20	9.80
HDGC6701HM-2P	20.90	10.00
HDGC6701HM-3P	27.20	10.00
HDGC6701HM-4P	34.30	10.00
HDGC6701HM-2x3P	27.90	17.30
HDGC6701HM-3x3P	28.40	23.70
HDGC6701HM-3x4P	35.40	23.70
HDGC6701HM-3x5P	41.90	23.70

Unit:mm



## HDGC6701 Series 6.70mm (.264") Pitch Wire to Board and Wire to Wire Connector

### HDGC6701H

6.70mm Pitch Housing

#### Reference Informations:

- \*Material:Nylon 66,UL94V-2
- \*HDGC6701HM(Suitable Terminal: HDGC5030M-T(-H),ML-T(-H) )
- \*HDGC6701HF(Suitable Terminal:HDGC5030F-T(-H) )
- \*Color:Natural

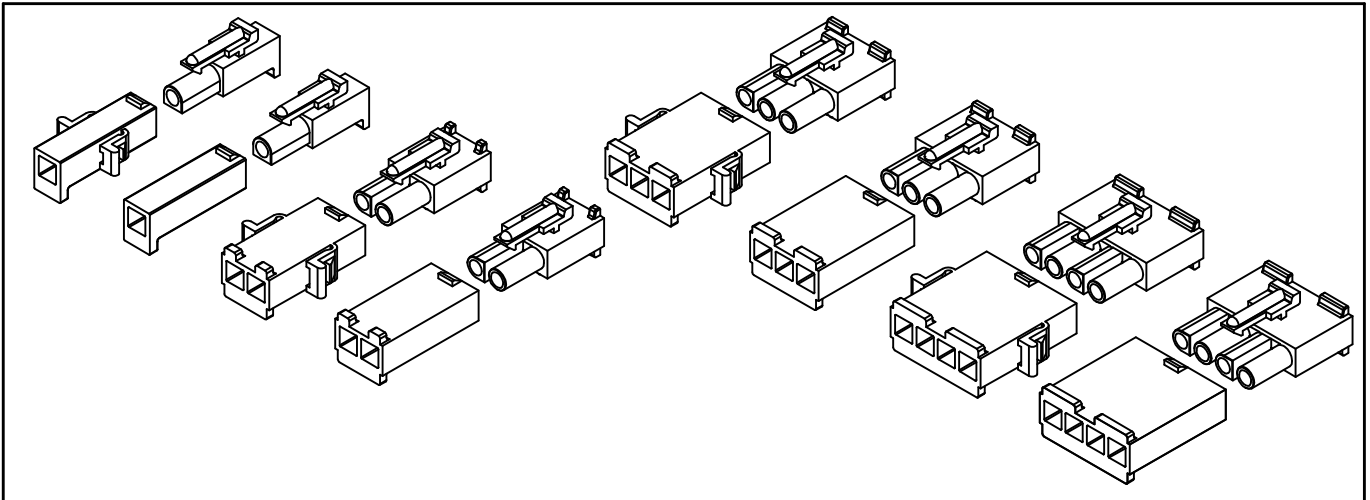
#### Ordering Information:

- HDGC6701HF-XP - \*\*\*  
 1                    2
- 1.Part No.  
 2.Material/Color:  
(blank):Nylon 66,UL94V-2/Natural  
V0:Nylon 66,UL94V-0/White  
GWT:Nylon 66,UL94V-0,GWT 750°C

#### Ordering Information:

- HDGC6701HM<HMA>-XP - \*\*\*  
 1                    2
- 1.Part No.  
 2.Material/Color:  
(blank):Nylon 66,UL94V-2/Natural  
V0:Nylon 66,UL94V-0/White  
GWT:Nylon 66,UL94V-0,GWT 750°C

Unit: mm



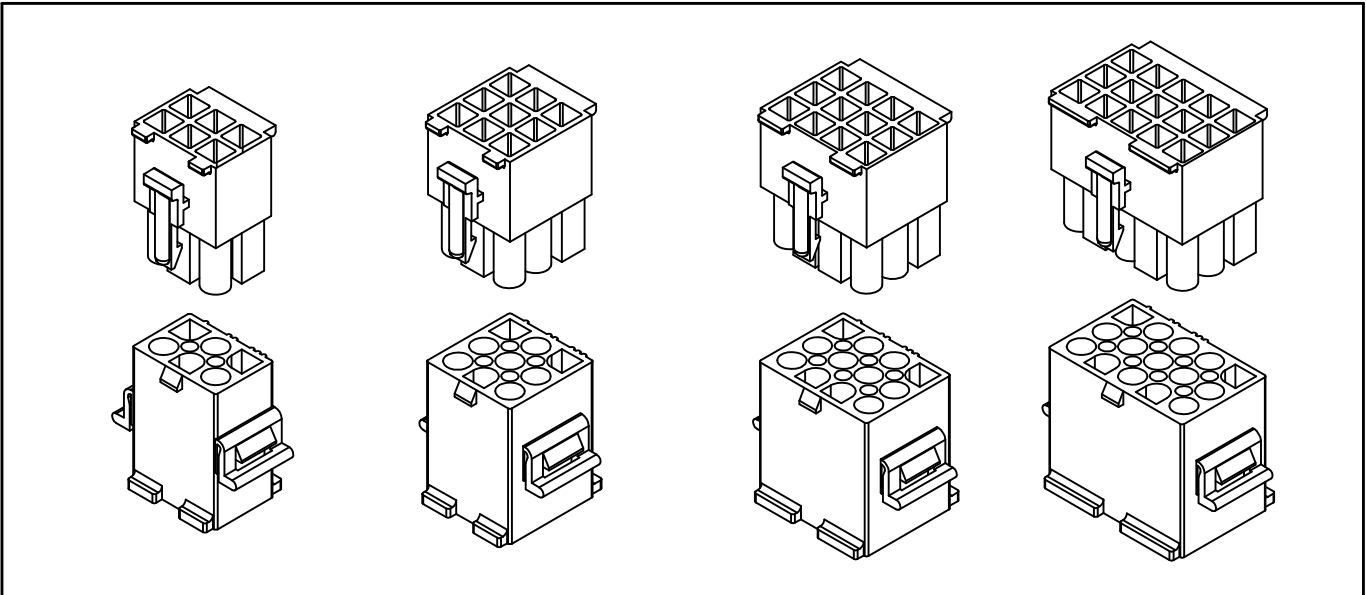
HDGC6701HF	HDGC6701HM<HMA>
<p><u>HDGC6701HF-1P</u></p>	<p><u>HDGC6701HM-1P</u>  <u>HDGC6701HMA-1P(WITHOUT EARS)</u></p>
<p><u>HDGC6701HF-2P</u></p>	<p><u>HDGC6701HM-2P</u>  <u>HDGC6701HMA-2P(WITHOUT EARS)</u></p>



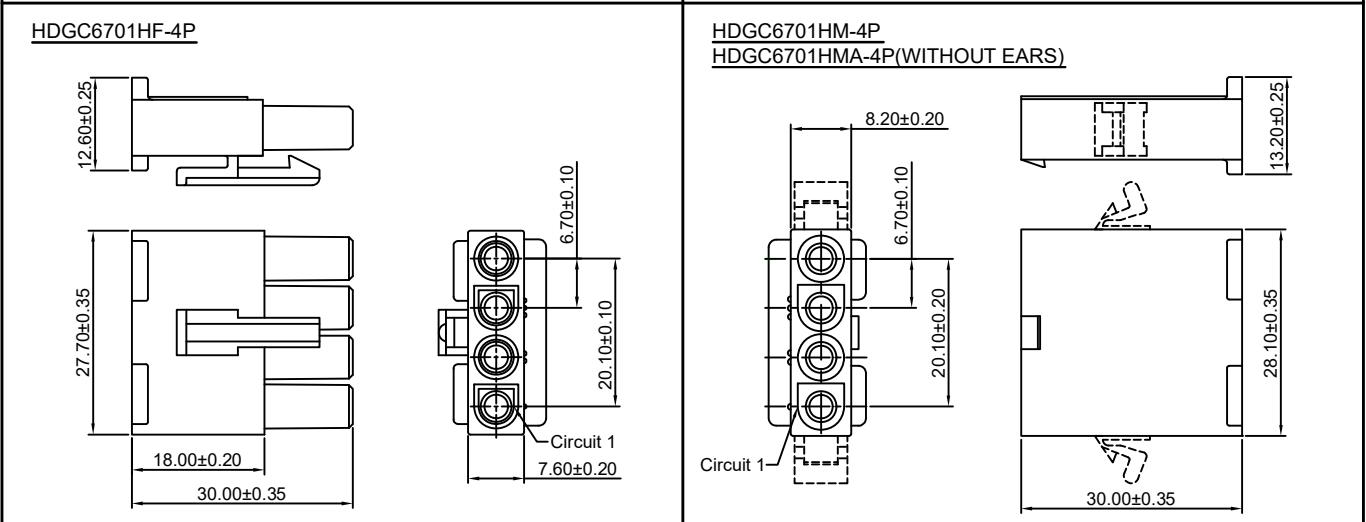
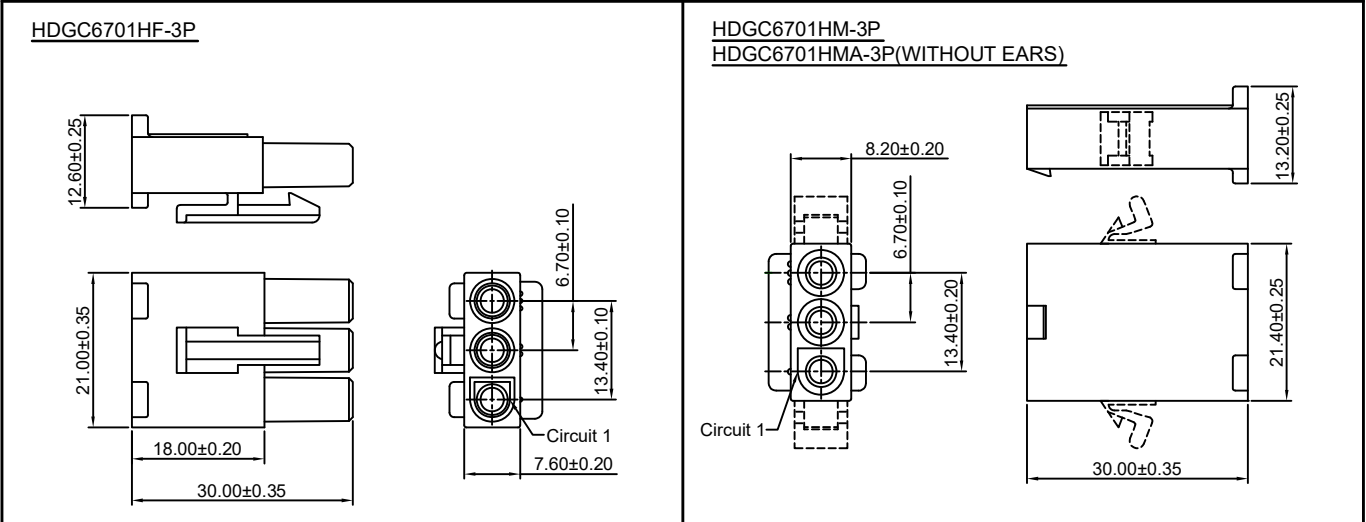
### HDGC6701H

6.70mm Pitch Housing

Unit: mm



<b>HDGC6701HF</b>	<b>HDGC6701HM&lt;HMA&gt;</b>
-------------------	------------------------------





## HDGC6701 Series 6.70mm (.264") Pitch Wire to Board and Wire to Wire Connector

### HDGC6701H

6.70mm Pitch Housing

#### Reference Informations:

- \*Material: Nylon 66, UL94V-2 or UL94V-0
- \*HDGC6701HM(Suitable Terminal: HDGC5030M-T(-H,ML-T(-H) ) )
- \*HDGC6701(Suitable Terminal:HDGC5030F-T(-H) )
- \*Color:Natural

Ordering Information:  
HDGC6701HF-2xXP - \*\*  
 1 2

1.Part No.  
 2.Material/Color:  
 (blank):Nylon 66,UL94V-2/Natural  
 V0:Nylon 66,UL94V-0/White  
 GWT:Nylon 66,UL94V-0,GWT 750°C

Ordering Information:  
HDGC6701HM<HMA>-2xXP - \*\*  
 1 2

1.Part No.  
 2.Material/Color:  
 (blank):Nylon 66,UL94V-2/Natural  
 V0:Nylon 66,UL94V-0/White  
 GWT:Nylon 66,UL94V-0,GWT 750°C

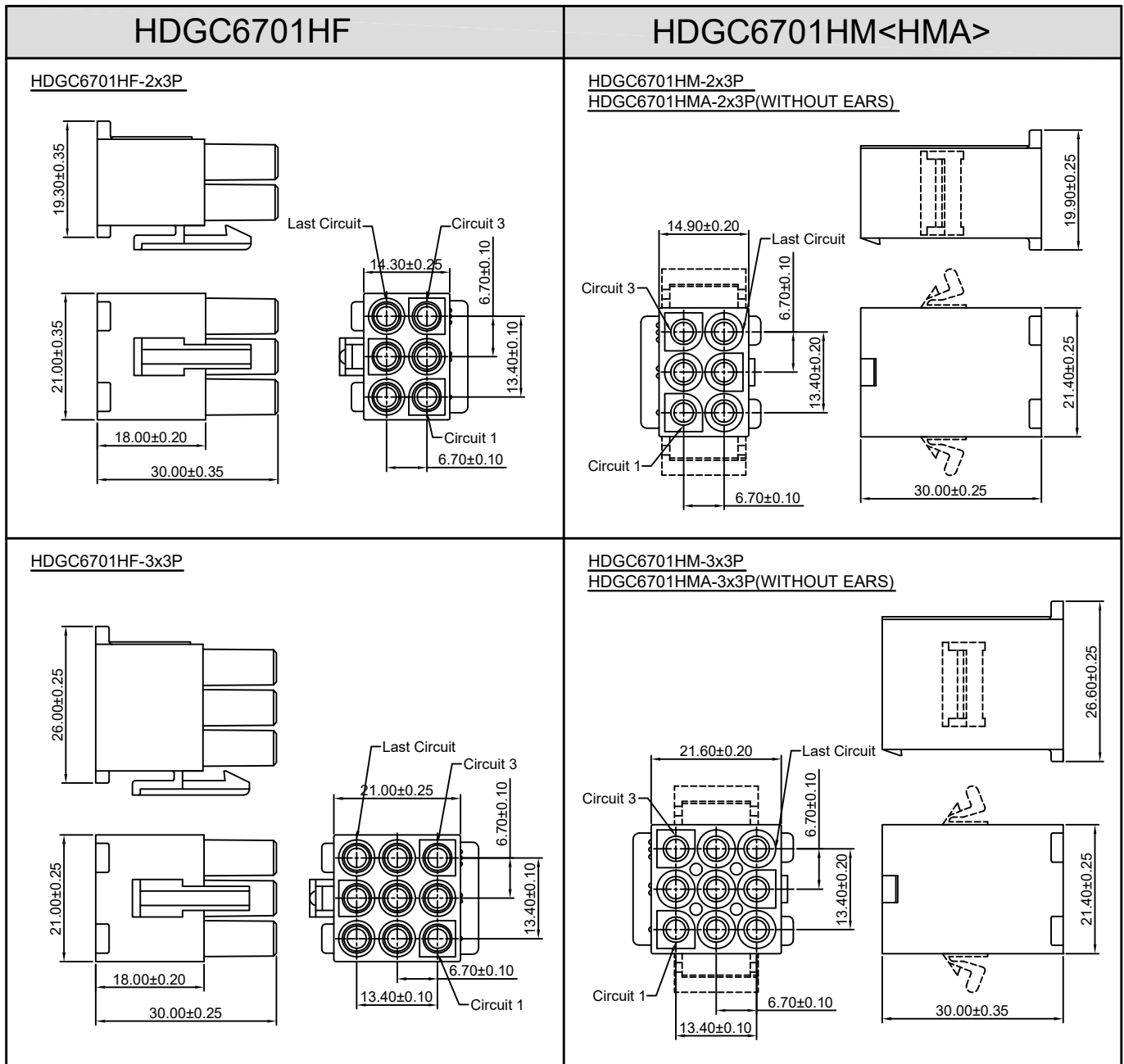
Ordering Information:  
HDGC6701HF-3xXP - \*\*  
 1 2

1.Part No.  
 2.Material/Color:  
 (blank):Nylon 66,UL94V-2/Natural  
 V0:Nylon 66,UL94V-0/White  
 GWT:Nylon 66,UL94V-0,GWT 750°C

Ordering Information:  
HDGC6701HM<HMA>-3xXP - \*\*  
 1 2

1.Part No.  
 2.Material/Color:  
 (blank):Nylon 66,UL94V-2/Natural  
 V0:Nylon 66,UL94V-0/White  
 GWT:Nylon 66,UL94V-0,GWT 750°C

Unit: mm





### HDGC6701H

6.70mm Pitch Housing

Unit: mm

HDGC6701HF	HDGC6701HM<HMA>
<p><u>HDGC6701HF-3x4P</u></p>	<p><u>HDGC6701HM-3x4P</u> <u>HDGC6701HMA-3x4P(WITHOUT EARS)</u></p>
<p><u>HDGC6701HF-3x5P</u></p>	<p><u>HDGC6701HM-3x5P</u> <u>HDGC6701HMA-3x5P(WITHOUT EARS)</u></p>



## HDGC6701 Series 6.70mm (.264") Pitch Wire to Board and Wire to Wire Connector

### HDGC6701WV

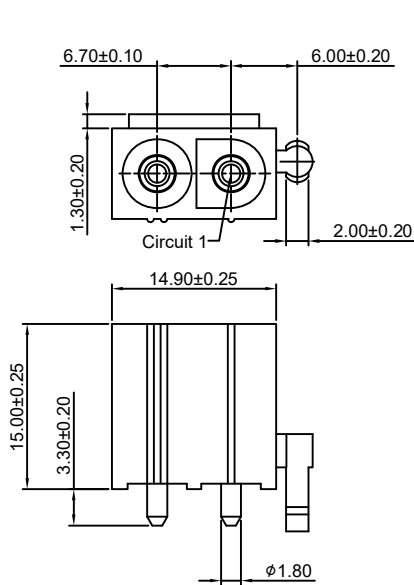
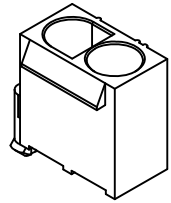
6.70mm Pitch 180° Wafer

**Reference Informations:**

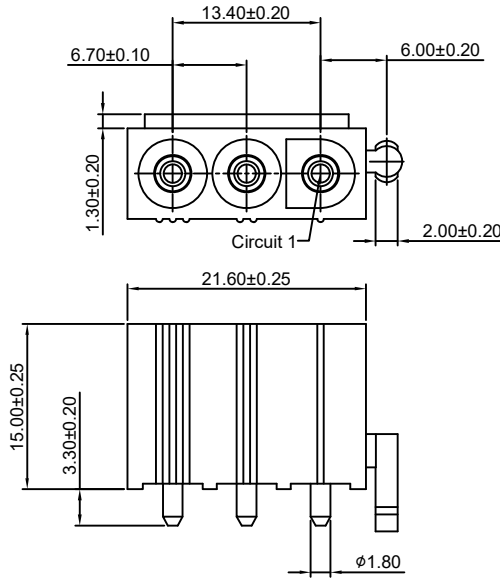
- \*Material: Pin: Brass/Tin over Nickel  
Insulator: Nylon 66, UL94V-2
- \*Mates with HDGC6701HF-XP series single row Housing
- \*Color: Natural

**Ordering Information:**

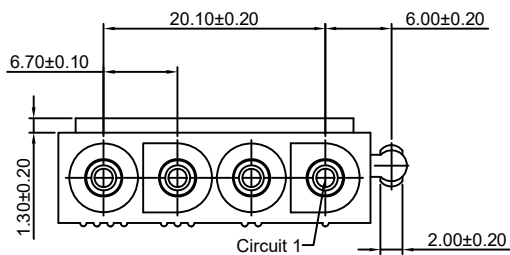
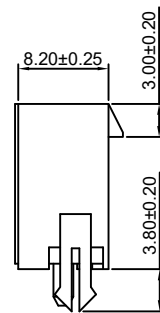
- HDGC6701WV-XP - \*\*\*
- |   |   |
|---|---|
| 1 | 2 |
|---|---|
- 1. Part No.
  - 2. Material/Color:  
(blank): Nylon 66, UL94V-2/Natural  
V0: Nylon 66, UL94V-0/White  
GWT: Nylon 66, UL94V-0, GWT 750°C



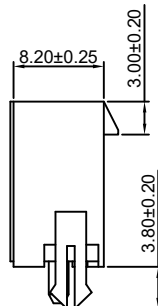
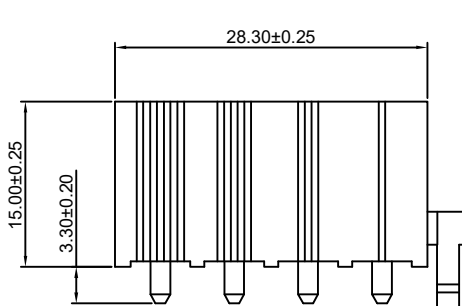
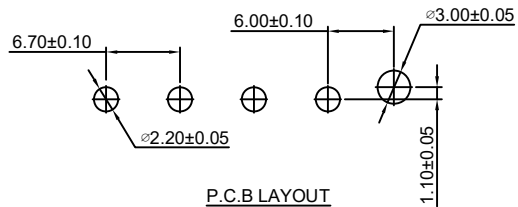
HDGC6701WV-2P



HDGC6701WV-3P



HDGC6701WV-4P





# HDGC6701 SERIES



## HDGC6701 Series 6.70mm (.264") Pitch Wire to Board and Wire to Wire Connector

### HDGC6701WV-2x3P

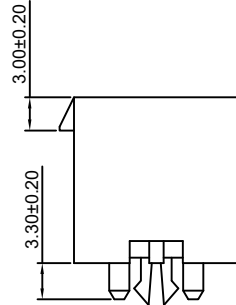
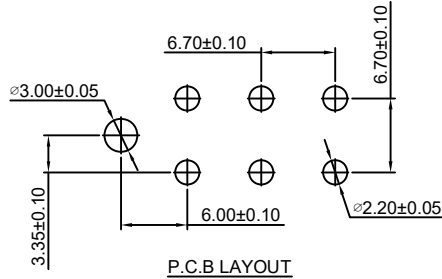
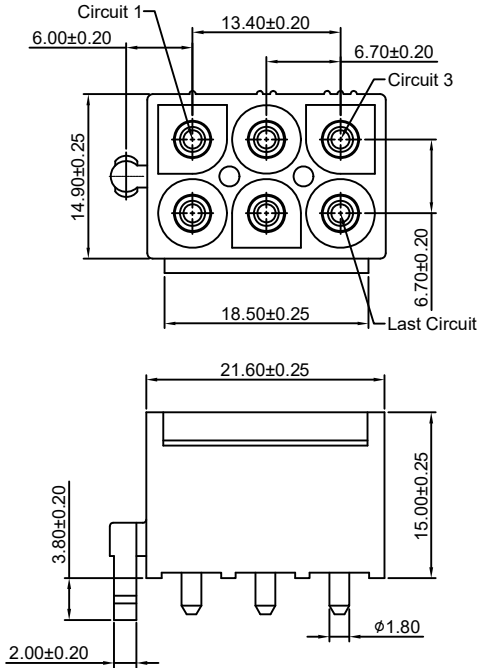
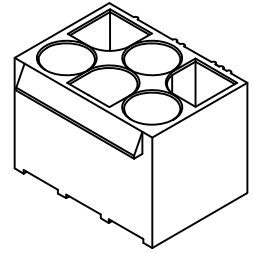
6.70mm Pitch 180° Dual Row Wafer

#### Reference Informations:

- \*Material: Pin: Brass/Tin over Nickel  
Insulator: Nylon 66, UL94V-2
- \*Mates with HDGC6701HF-2x3P series Dual Row Housing
- \*Color: Natural

#### Ordering Information:

- HDGC6701WV-2x3P - \*\*\*
- |   |   |
|---|---|
| 1 | 2 |
|---|---|
- Part No.
  - Material/Color:  
(blank): Nylon 66, UL94V-2/Natural  
V0: Nylon 66, UL94V-0/White  
GWT: Nylon 66, UL94V-0, GWT 750°C



### HDGC6701WV-3x3P

6.70mm Pitch 180° Triple Row Wafer

#### Reference Informations:

- \*Material: Pin: Brass/Tin over Nickel  
Insulator: Nylon 66, UL94V-2
- \*Mates with HDGC6701HF-3x3P series Triple Row Housing
- \*Color: Natural

#### Ordering Information:

- HDGC6701WV-3x3P - \*\*\*
- |   |   |
|---|---|
| 1 | 2 |
|---|---|
- Part No.
  - Material/Color:  
(blank): Nylon 66, UL94V-2/Natural  
V0: Nylon 66, UL94V-0/White  
GWT: Nylon 66, UL94V-0, GWT 750°C

