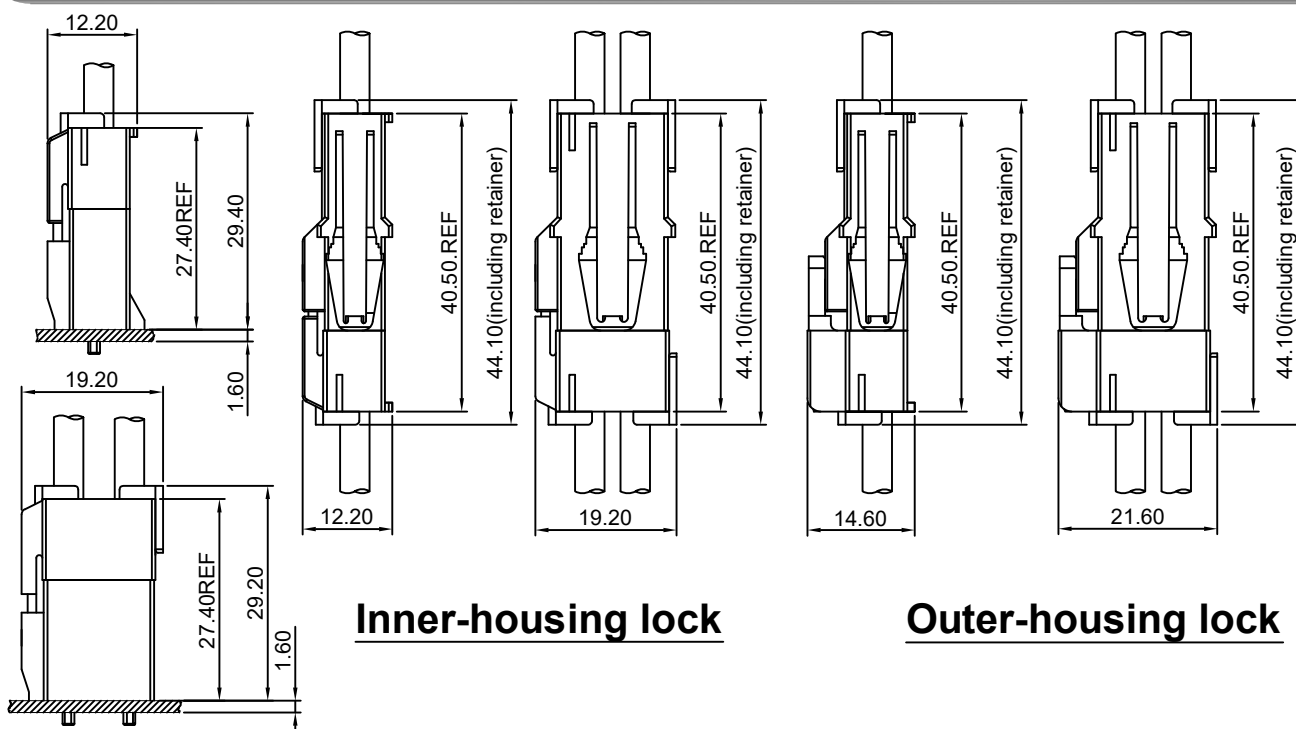


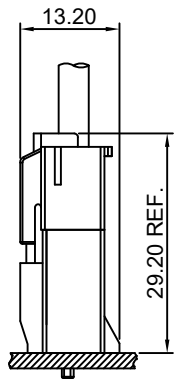
Specifications

- Current rating: 20A AC, DC
- Voltage rating: 600V AC, DC
- Temperature range: -25°C ~ +85°C
- Contact resistance: 7mΩ Max.
- Insulation resistance: 1000MΩ Min.
- Withstanding voltage: 2000V AC/minute
- *Compliant with RoHS and REACH*
- *Meet the HF/Halogen Free, GWT/Glow wire Test (IEC60335-1) request, need to customize*
- *Contact HDGC for details*

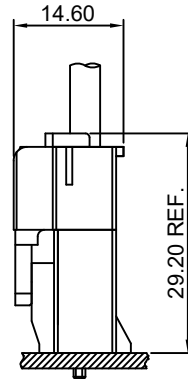
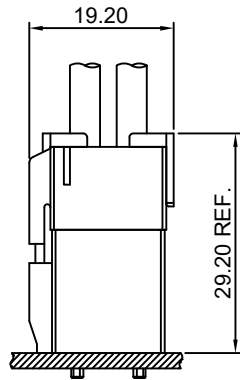
Assembly layout



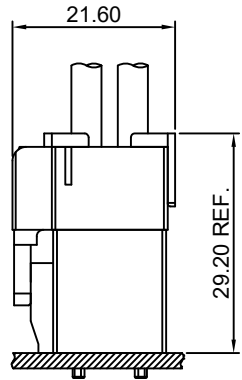
wire to board type



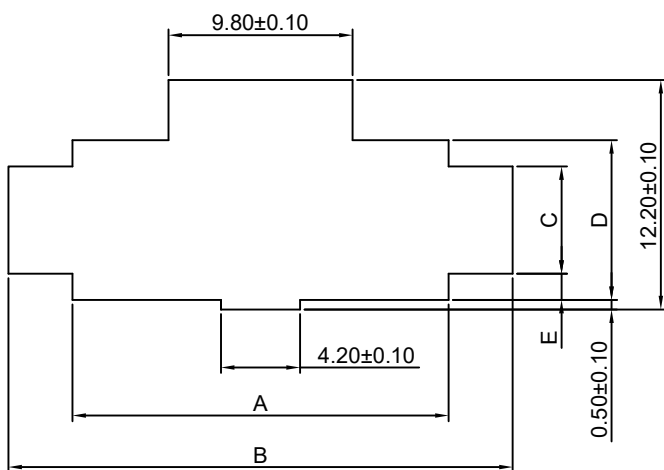
Inner-housing lock



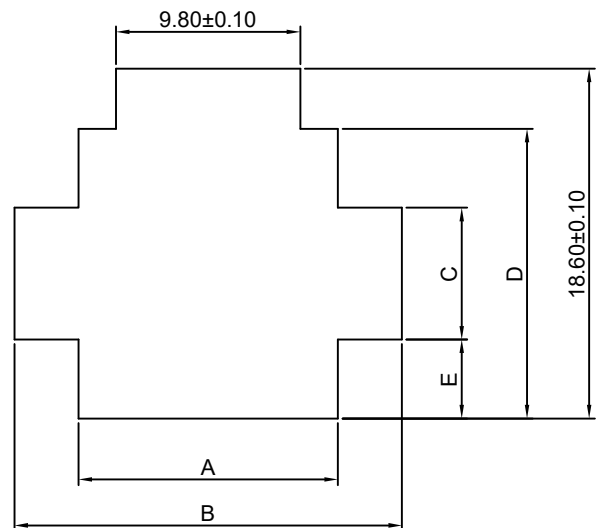
Outer-housing lock



Panel hole layout



Shape I



Shape II

PART NO.	Panel hole shape	Panel hole Dimensions					applicable panel thickness (mm)
		A	B	C	D	E	
HDGC6201HM-2P	I	13.80	20.60	5.70	8.50	1.40	0.5-2.0
HDGC6201HM-3P	I	20.00	26.80	5.70	8.50	1.40	
HDGC6201HM-4P	I	26.20	33.00	5.70	8.50	1.40	
HDGC6201HM-2X2P	II	13.80	20.60	7.00	15.40	4.20	
HDGC6201HM-2X3P	II	20.00	26.80	7.00	15.40	4.20	
HDGC6201HM-2X4P	II	26.20	33.00	7.00	15.40	4.20	
HDGC6201HM-2X6P	II	38.90	45.40	7.00	15.40	4.20	

Note: 1. Punch holes in the panel according to the sketch and table shown above. Burrs must be removed
 2. The strength of the panel must be considered when punching two or more holes.
 3. The connector must be inserted from the same side as the hole is punched



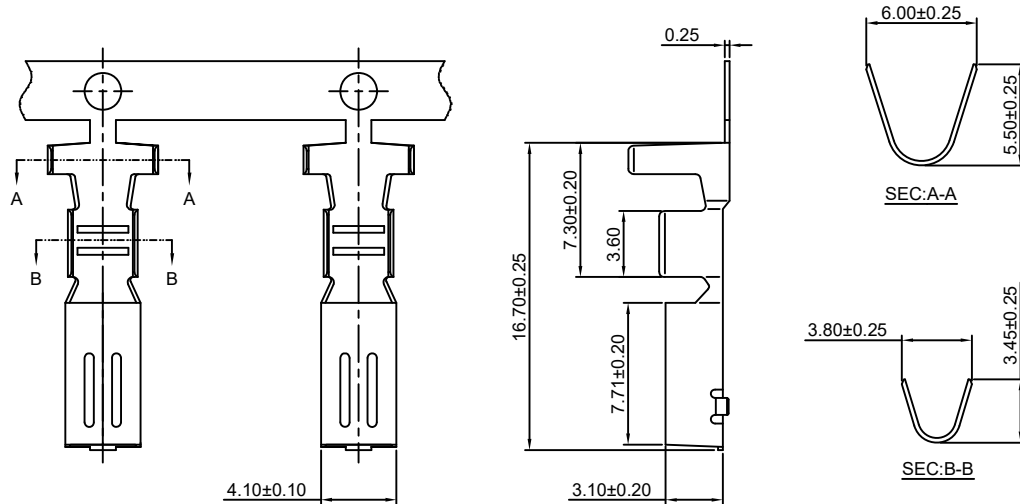
HDGC6201 Series 6.20mm (.244") Pitch Wire to Board and Wire to Wire Connector

HDGC6201F-T

6.20mm pitch Crimp Terminal

Reference Informations:

*Used in HDGC6201HF, HFA series Housing



Ordering information & Specifications:

Unit:mm

Part NO.	Wire Range	Insulation O.D.	Material	Finish	Qty/reel
HDGC6201F-TP	AWG#14-#20	4.10mm(max)	Phosphor Bronze	Tin over Nickel	2,000 PCS
HDGC6201F-GP	AWG#14-#20	4.10mm(max)	Phosphor Bronze	Gold over Nickel	2,000 PCS

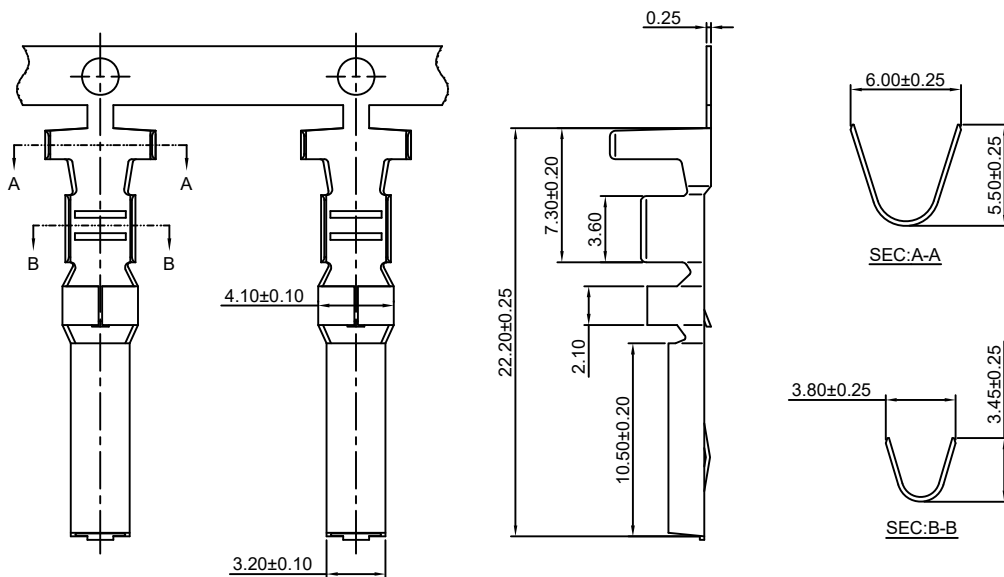
Optional Gold plating available but MOQ requested

HDGC6201M-T

6.20mm pitch Crimp Terminal

Reference Informations:

*Used in HDGC6201HM, HMA series Housing



Ordering information & Specifications:

Unit:mm

Part NO.	Wire Range	Insulation O.D.	Material	Finish	Qty/reel
HDGC6201M-TP	AWG#14-#20	4.10mm(max)	Phosphor Bronze	Tin over Nickel	2,000 PCS
HDGC6201M-GP	AWG#14-#20	4.10mm(max)	Phosphor Bronze	Gold over Nickel	2,000 PCS

Optional Gold plating available but MOQ requested



HDGC6201 Series 6.20mm (.244") Pitch Wire to Board and Wire to Wire Connector

HDGC6201H

6.20mm Pitch Housing

Reference Informations:

*Material:Housing:Nylon 66,UL94V-0
 Retainer:Nylon 66,UL94V-0
 *HDGC6201HM(Suitable Terminal:HDGC6201M-T)
 *HDGC6201HF(Suitable Terminal:HDGC6201F-T)
 *Color:White

Ordering Information:
 HDGC6201HF/HFA-XP - ***
 1 2

1.Part No.
 2.Material:
 (blank):Nylon 66,UL94V-0/White
 V2:Nylon 66,UL94V-2/Natural
 GWT:Nylon 66,UL94V-0,GWT 750°C

Ordering Information:
 HDGC6201HM/HMA-XP - ***
 1 2

1.Part No.
 2.Material:
 (blank):Nylon 66,UL94V-0/White
 V2:Nylon 66,UL94V-2/Natural
 GWT:Nylon 66,UL94V-0,GWT 750°C

Ordering Information:
 HDGC6201S-XP - **
 1 2

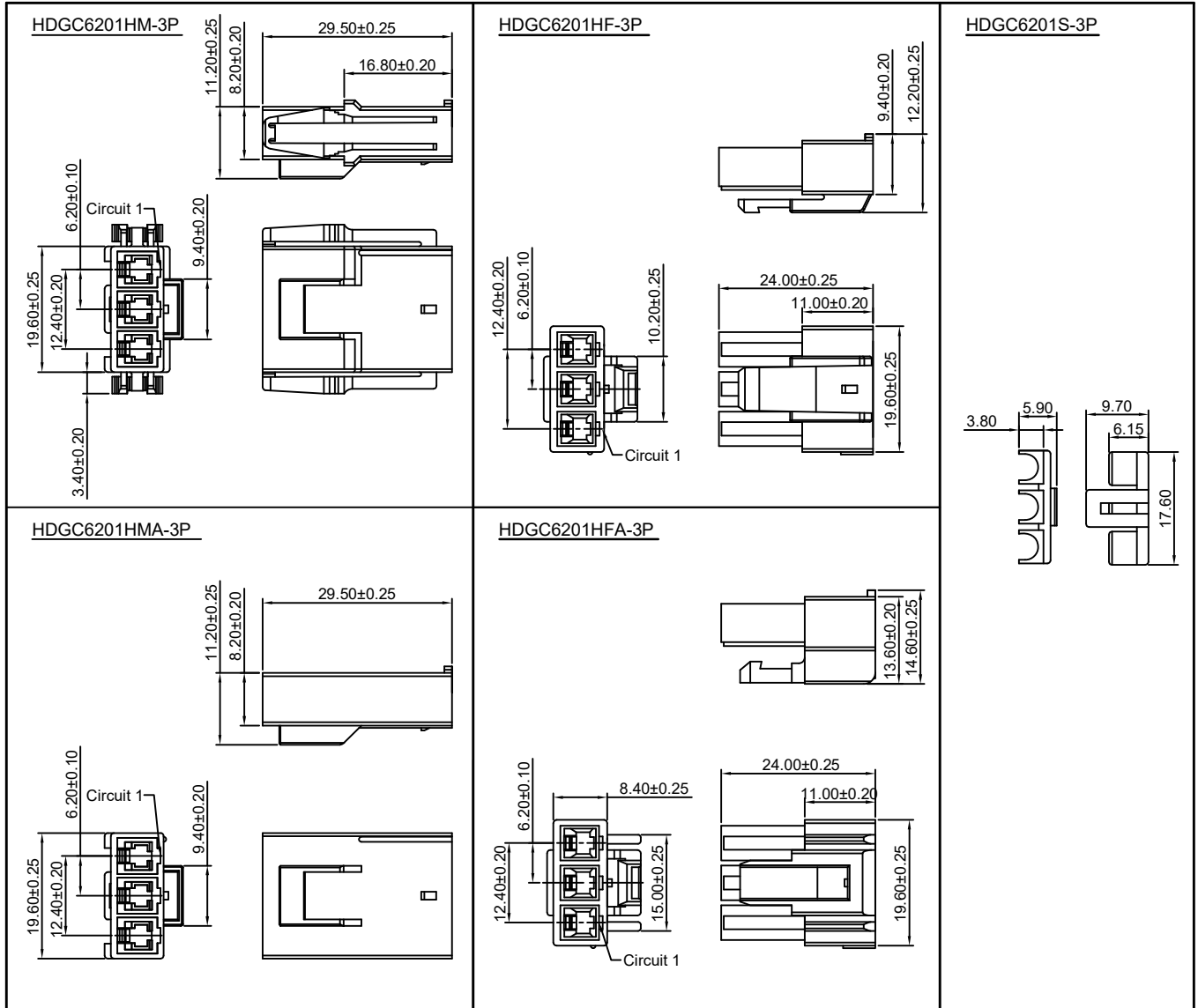
1.Part No.
 2.Color:
 (blank):Blue
 IV:Ivory

HDGC6201HM<HMA>	HDGC6201HF<HFA>	Retainer
<p>HDGC6201HM-1P</p>	<p>HDGC6201HF-1P</p>	<p>HDGC6201S-1P</p>
<p>HDGC6201HM-2P</p>	<p>HDGC6201HF-2P</p>	<p>HDGC6201S-2P</p>
<p>HDGC6201HMA-2P</p>	<p>HDGC6201HFA-2P</p>	



HDGC6201H

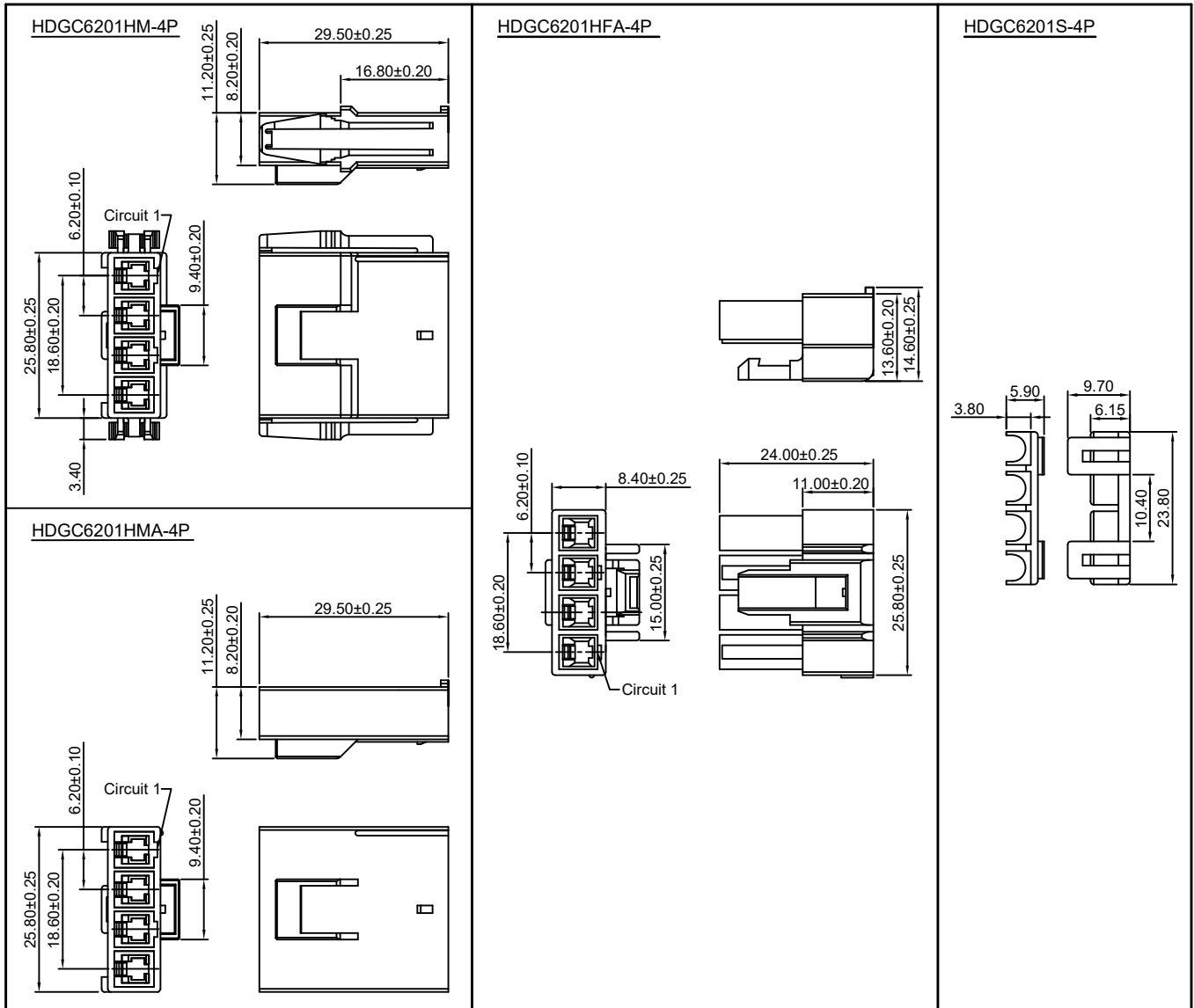
6.20mm Pitch Housing





HDGC6201H

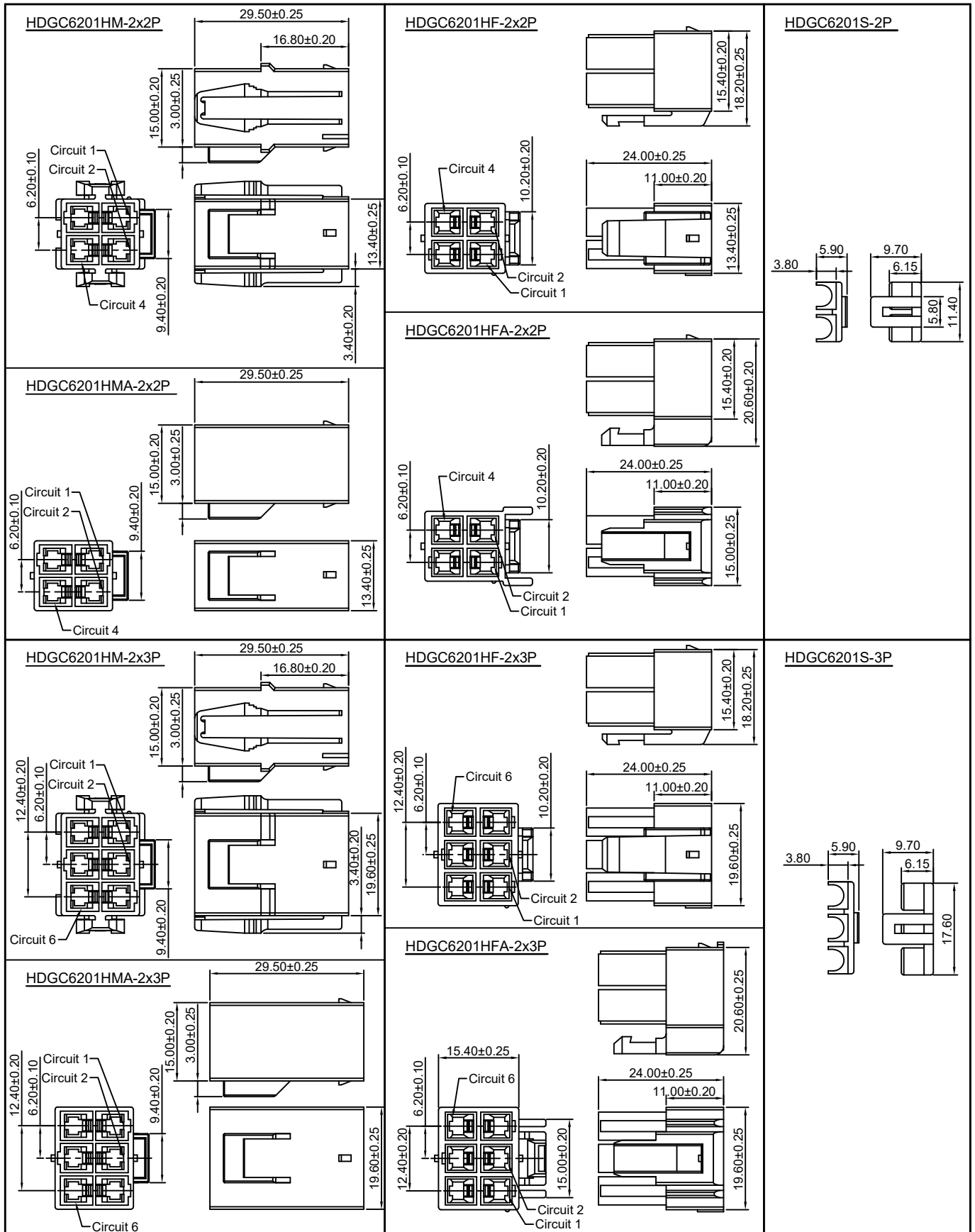
6.20mm Pitch Housing





HDGC6201H

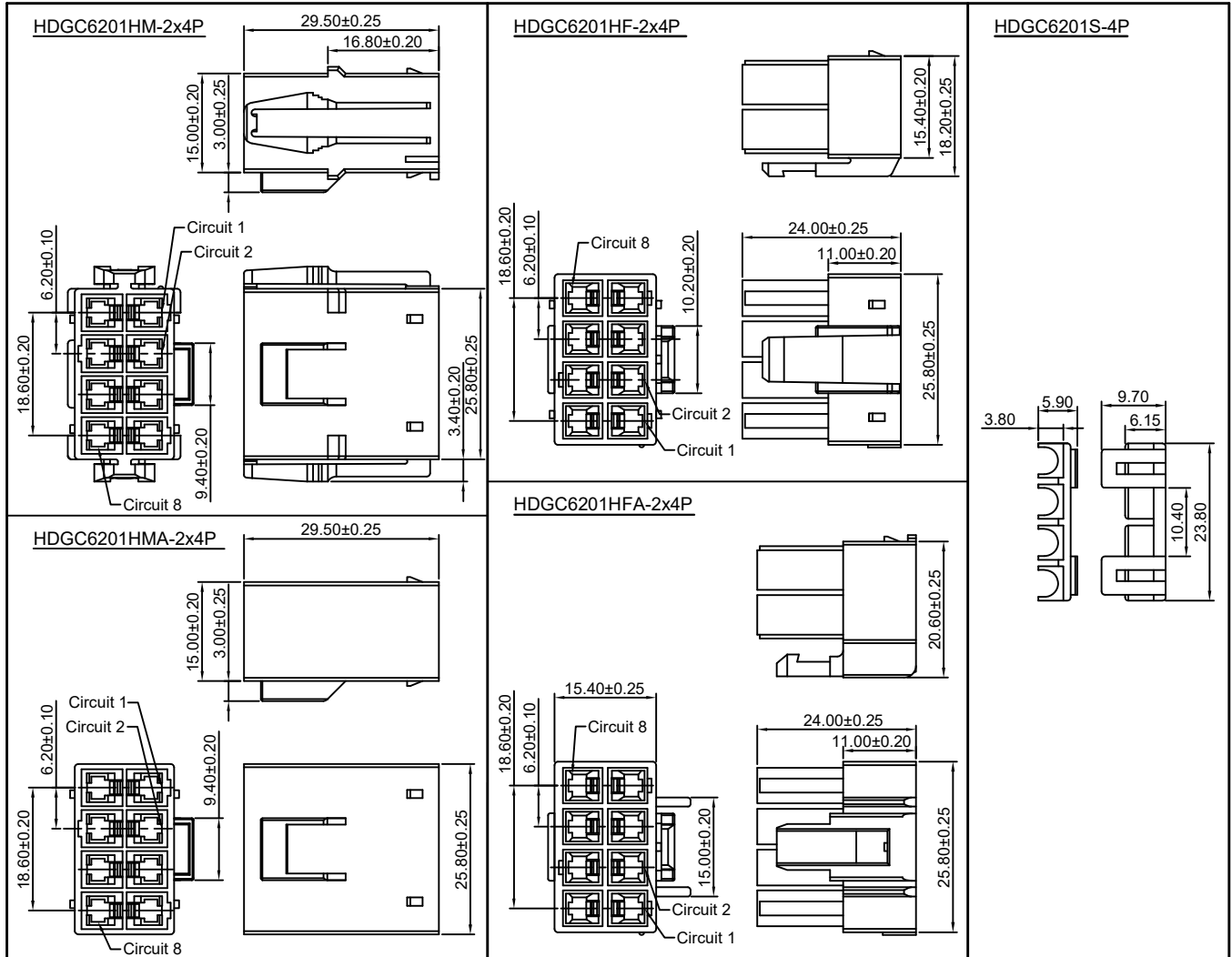
6.20mm Pitch Housing





HDGC6201H

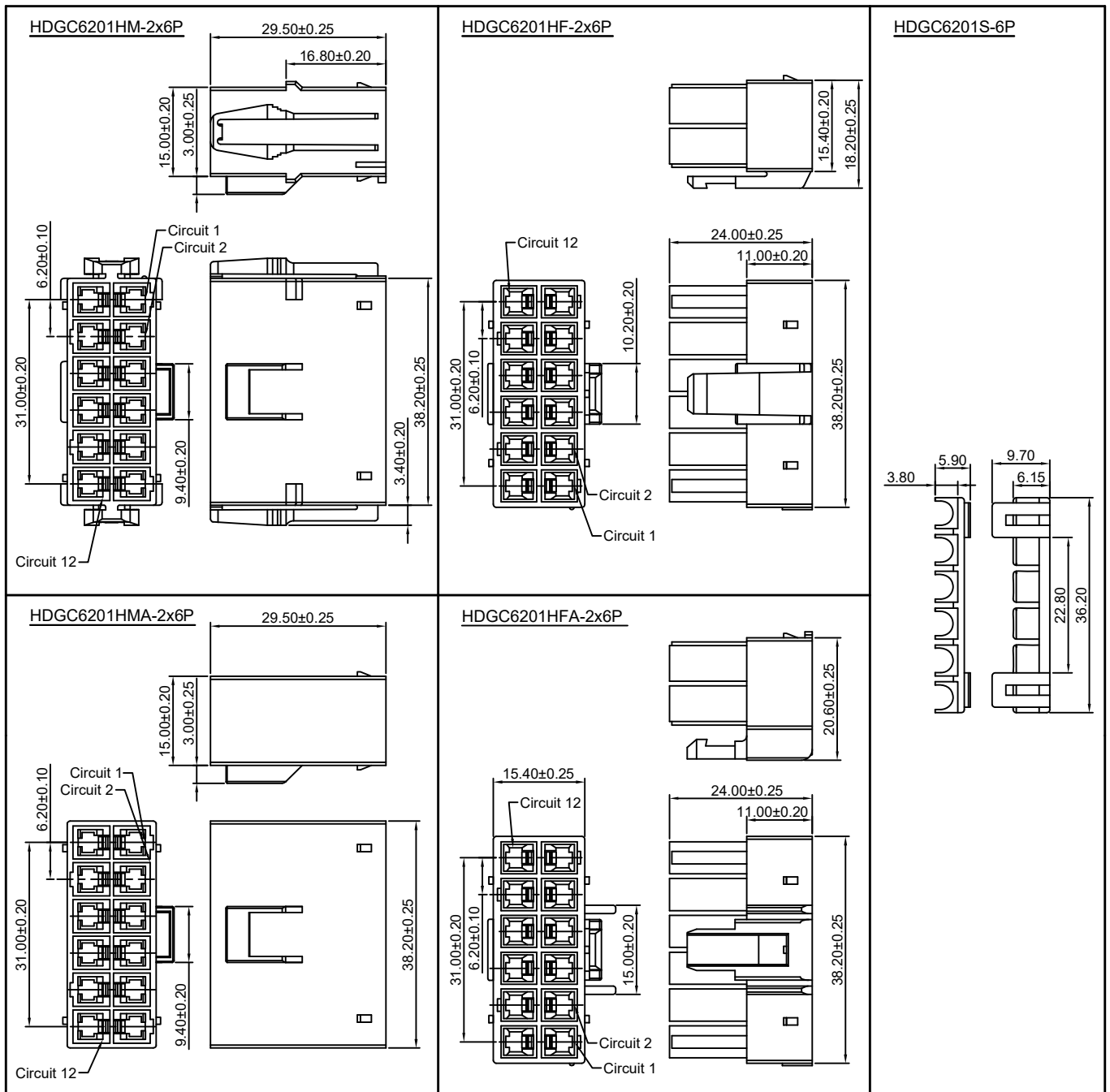
6.20mm Pitch Housing





HDGC6201H

6.20mm Pitch Housing





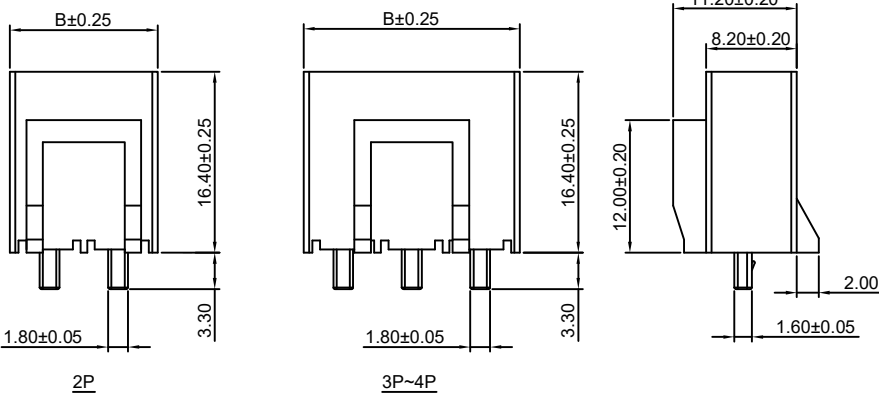
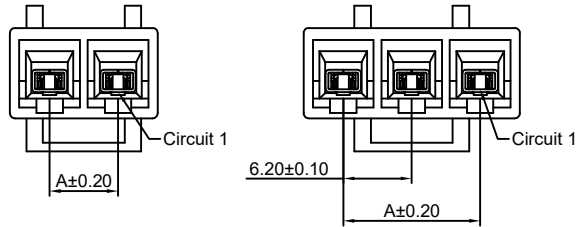
HDGC6201 Series 6.20mm (.244") Pitch Wire to Board and Wire to Wire Connector

HDGC6201WV-XP

6.20mm pitch 180° Single Row Wafer

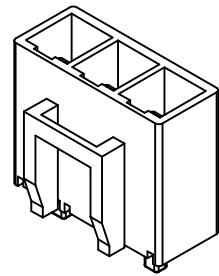
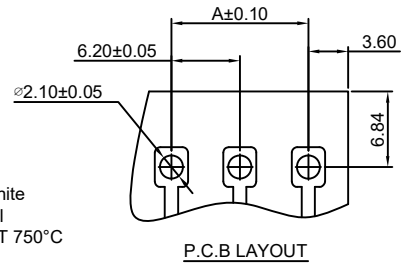
Reference Informations:

- *Material: Pin: Brass/Tin over Nickel
Insulator: Nylon 66, UL94V-0
- *Mates with HDGC6201HF, HFA-XP series Housing
- *Color: White



Ordering Information:
 $\frac{\text{HDGC6201WV-XP}}{1} - \frac{***}{2} - \frac{**}{3}$

1. Part No.
 2. Material:
 (blank): Nylon 66, UL94V-0/White
 V2: Nylon 66, UL94V-2/Natural
 GWT: Nylon 66, UL94V-0, GWT 750°C
 3. Finish:
 (blank): Tin over Nickel
 G: Gold over Nickel



Ordering Information & Dimensions:

PART NO.	Dimensions	
	A	B
2P	6.20	13.40
3P	12.40	19.60
4P	18.60	25.80

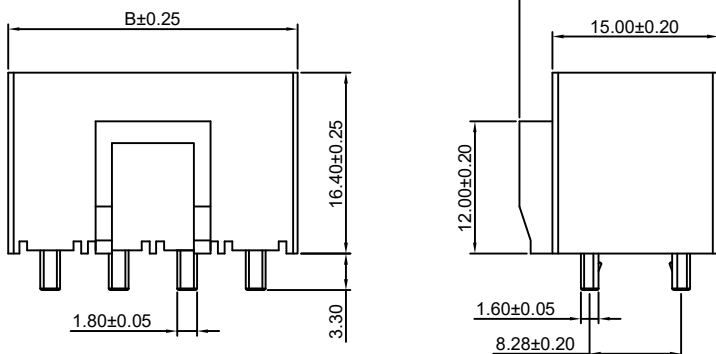
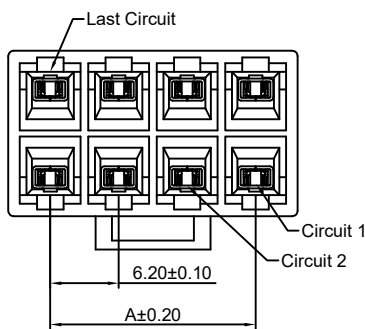
Unit: mm

HDGC6201WV-2xXP

6.20mm pitch 180° Dual Row Wafer

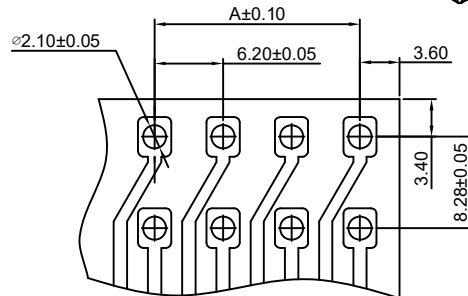
Reference Informations:

- *Material: Pin: Brass/Tin over Nickel
Insulator: Nylon 66, UL94V-0
- *Mates with HDGC6201HF, HFA-2xXP series Housing
- *Color: White



Ordering Information:
 $\frac{\text{HDGC6201WV-2xXP}}{1} - \frac{***}{2} - \frac{**}{3}$

1. Part No.
 2. Material:
 (blank): Nylon 66, UL94V-0/White
 V2: Nylon 66, UL94V-2/Natural
 GWT: Nylon 66, UL94V-0, GWT 750°C
 3. Finish:
 (blank): Tin over Nickel
 G: Gold over Nickel



P.C.B LAYOUT

Ordering Information & Dimensions:

PART NO.	Dimensions	
	A	B
2x2P	6.20	13.40
2x3P	12.40	19.60
2x4P	18.60	25.80
2x6P	31.00	38.20

Unit: mm



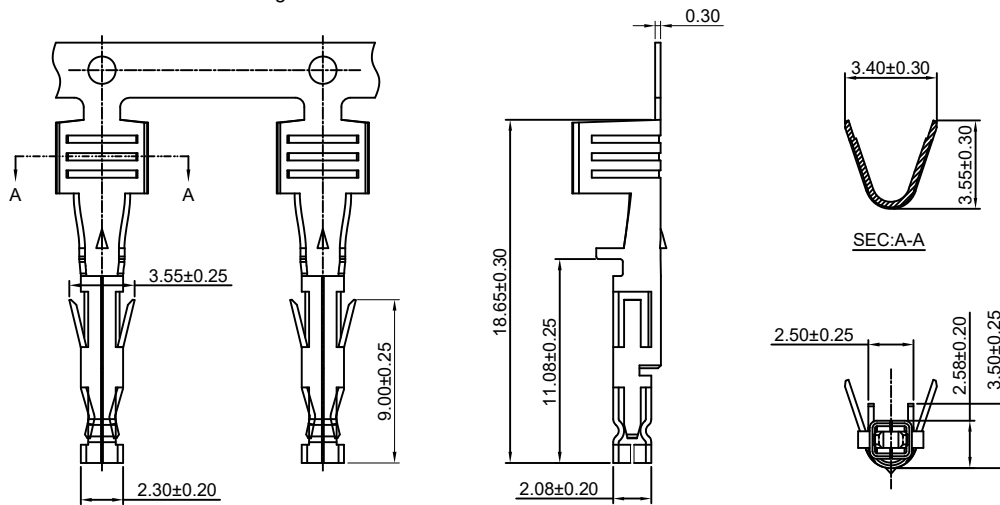
HDGC6201 Series 6.20mm (.244") Pitch Wire to Board and Wire to Wire Connector

HDGC6201F-TCA

5.70mm pitch Crimp Terminal

Reference Informations:

*Used in HDGC6201HFB-2xXP series Housing



Ordering information & Specifications:

Unit:mm

Part NO.	Wire Range	Insulation O.D.	Material	Finish	Qty/reel
HDGC6201FB-TCA	AWG#14-#16	3.75mm(max)	Brass	Tin over Nickel	2,000 PCS
HDGC6201FP-TCA	AWG#14-#16	3.75mm(max)	Phosphor Bronze	Tin over Nickel	2,000 PCS
HDGC6201FB-GCA	AWG#14-#16	3.75mm(max)	Brass	Gold over Nickel	2,000 PCS
HDGC6201FP-GCA	AWG#14-#16	3.75mm(max)	Phosphor Bronze	Gold over Nickel	2,000 PCS

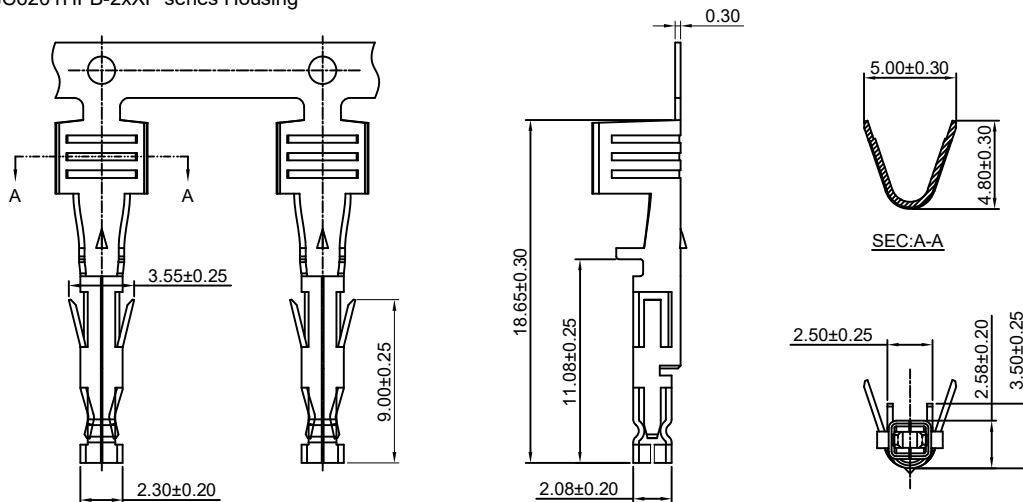
Optional Gold plating available but MOQ requested

HDGC6201F-TCA-H

5.70mm pitch Crimp Terminal

Reference Informations:

*Used in HDGC6201HFB-2xXP series Housing



Ordering information & Specifications:

Unit:mm

Part NO.	Wire Range	Insulation O.D.	Material	Finish	Qty/reel
HDGC6201FB-TCA-H	AWG#12	4.35mm(max)	Brass	Tin over Nickel	2,000 PCS
HDGC6201FP-TCA-H	AWG#12	4.35mm(max)	Phosphor Bronze	Tin over Nickel	2,000 PCS
HDGC6201FB-GCA-H	AWG#12	4.35mm(max)	Brass	Gold over Nickel	2,000 PCS
HDGC6201FP-GCA-H	AWG#12	4.35mm(max)	Phosphor Bronze	Gold over Nickel	2,000 PCS

Optional Gold plating available but MOQ requested



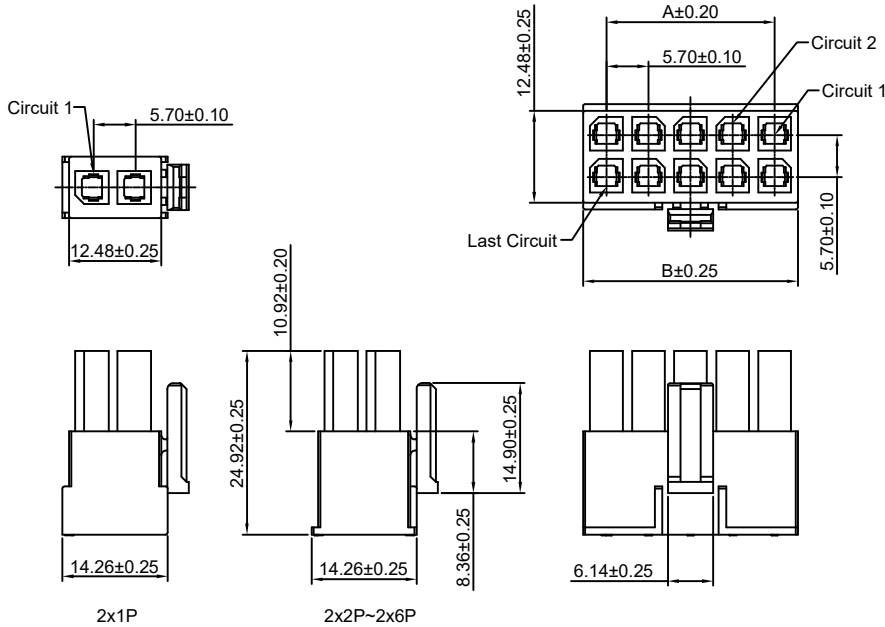
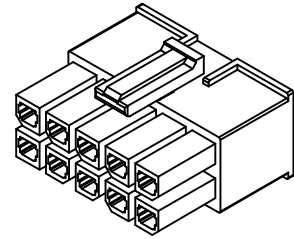
HDGC6201 Series 6.20mm (.244") Pitch Wire to Board and Wire to Wire Connector

HDGC6201HFB-2xXP

5.70mm pitch Dual Row Housing

Reference Informations:

- *Material:Nylon 66,UL94V-2
- *Suitable HDGC6201F-TCA(-H) series Terminal
- *Mates with HDGC6201WVB-F,WRB-F-2xXP series Housing
- *Color:Black



Ordering Information:
 HDGC6201HFB-2xXP - ***
 1 2
 1.Part No.
 2.Material:
 (blank):Nylon 66,UL94V-2
 GWT:Nylon 66,UL94V-0,GWT 750°C

Ordering Information & Dimensions:

PART NO.	Dimensions	
	A	B
2x1P	----	8.35
2x2P	5.70	12.05
2x3P	11.40	17.75
2x4P	17.10	23.45
2x5P	22.80	29.15
2x6P	28.50	34.85

Unit: mm

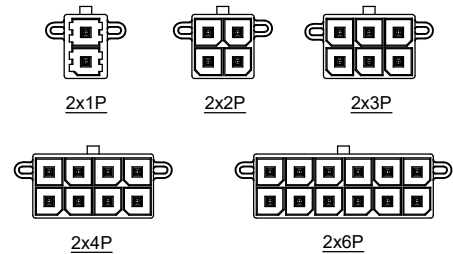
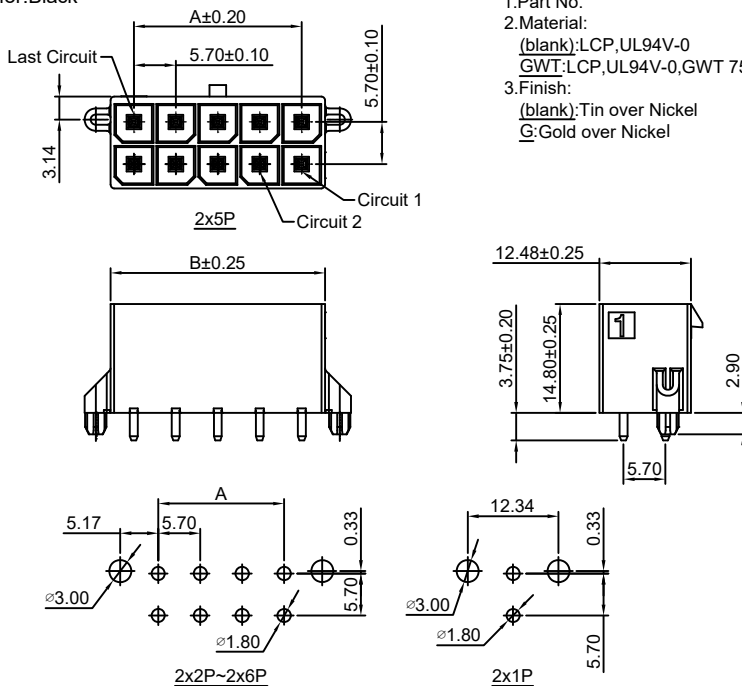
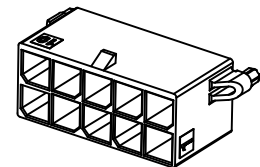
HDGC6201WVB-F-2xXP

5.70mm pitch 180° Dual Row Wafer

Reference Informations:

- *Material:Pin:Brass/Tin over Nickel
Insulator:LCP,UL94V-0
- *Mates with HDGC6201HFB-2xXP series Housing
- *Color:Black

Ordering Information:
 HDGC6201WVB-F-2xXP - *** - **
 1 2 3
 1.Part No.
 2.Material:
 (blank):LCP,UL94V-0
 GWT:LCP,UL94V-0,GWT 750°C
 3.Finish:
 (blank):Tin over Nickel
 G:Gold over Nickel



Ordering Information & Dimensions:

PART NO.	Dimensions	
	A	B
2x1P	----	8.35
2x2P	5.70	12.05
2x3P	11.40	17.75
2x4P	17.10	23.45
2x5P	22.80	29.15
2x6P	28.50	34.85

Unit: mm



HDGC6201 Series 6.20mm (.244") Pitch Wire to Board and Wire to Wire Connector

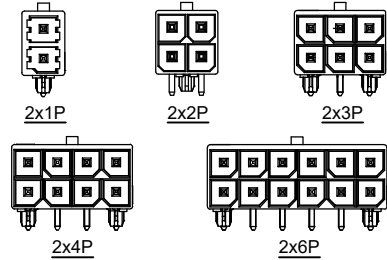
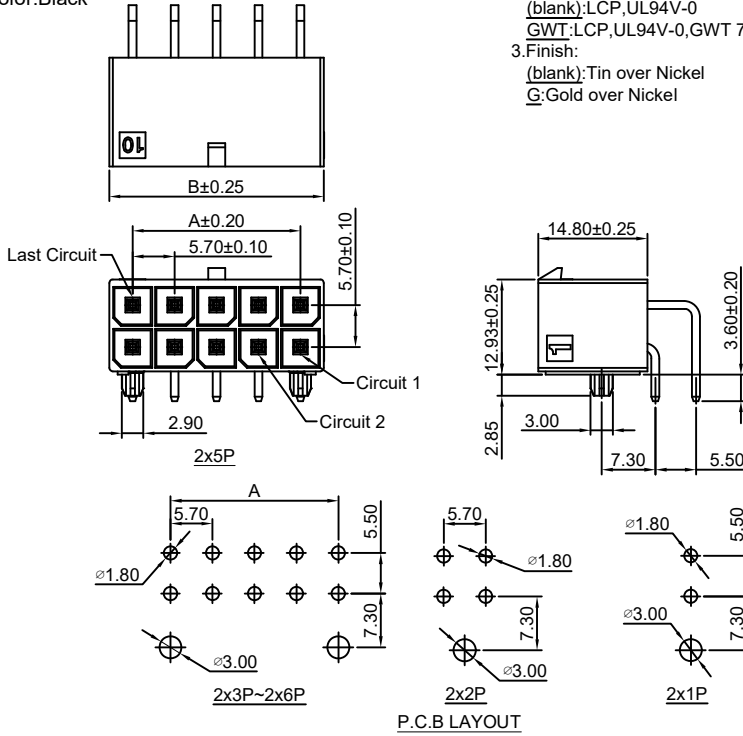
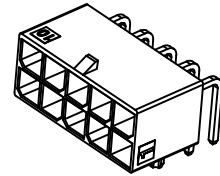
HDGC6201WRB-F-2xXP

5.70mm pitch 90° Dual Row Wafer

Reference Informations:

- *Material: Pin: Brass/Tin over Nickel
Insulator: LCP, UL94V-0
- *Mates with HDGC6201HFB-2xXP series Housing
- *Color: Black

- Ordering Information:
HDGC6201WRB-F-2xXP - $\frac{***}{1} - \frac{**}{2} - \frac{**}{3}$
- Part No.
 - Material:
(blank): LCP, UL94V-0
GWT: LCP, UL94V-0, GWT 750°C
 - Finish:
(blank): Tin over Nickel
G: Gold over Nickel



Ordering Information & Dimensions:

PART NO.	Dimensions	
	A	B
2x1P	-----	8.35
2x2P	5.70	12.05
2x3P	11.40	17.75
2x4P	17.10	23.45
2x5P	22.80	29.15
2x6P	28.50	34.85

Unit: mm

HDGC6201WVC-XP

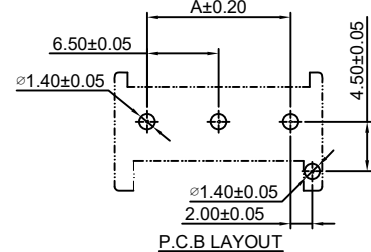
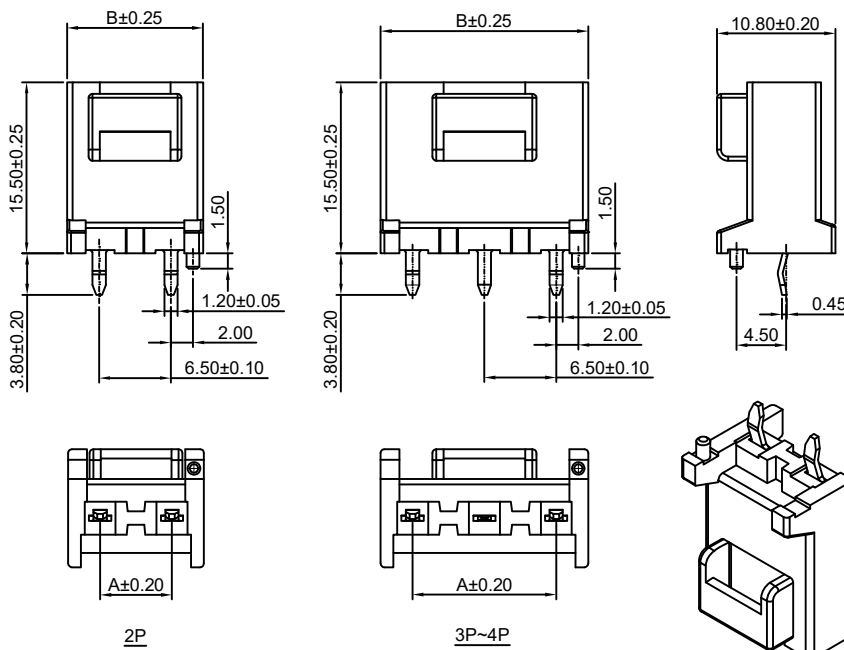
6.50mm pitch 180° Single Row Wafer

Reference Informations:

- *Material: Pin: Brass/Tin over Nickel
Insulator: Nylon 66+GF, UL94V-0
- *Color: Ivory

Ordering Information:
HDGC6201WVC-XP - $\frac{***}{1} - \frac{**}{2} - \frac{**}{3} - \frac{**}{4}$

- Part No.
- Material:
(blank): Nylon 66+GF, UL94V-0/Ivory
PBT: PBT+GF, UL94V-0/White
GWT: Nylon 66, UL94V-0, GWT 750°C/Ivory
- Color:
(blank): Ivory
RD: Red
BK: Black
BL: Blue
YL: Yellow
GN: Green
- Finish:
(blank): Tin over Nickel
G: Gold over Nickel



Ordering Information & Dimensions:

PART NO.	Dimensions	
	A	B
2P	6.50	12.30
3P	13.00	18.80
4P	19.50	25.30

Unit: mm



HDGC6201 Series 6.20mm (.244") Pitch Wire to Board and Wire to Wire Connector

HDGC6201WVC-2xXP

6.50mm pitch 180° Dual Row Wafer

Reference Informations:

*Material: Pin: Brass/Tin over Nickel

Insulator: Nylon 66+GF, UL94V-0

*Color: Ivory

Ordering Information:

HDGC6201WVC-2xXP - - - -

1 2 3 4

1. Part No.

2. Material:

(blank): Nylon 66+GF, UL94V-0/Ivory

PBT: PBT+GF, UL94V-0/White

GWT: Nylon 66, UL94V-0, GWT 750°C/Ivory

3. Color:

(blank): Ivory

RD: Red

BK: Black

BL: Blue

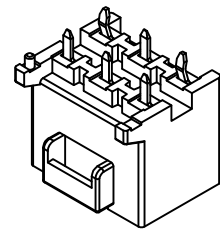
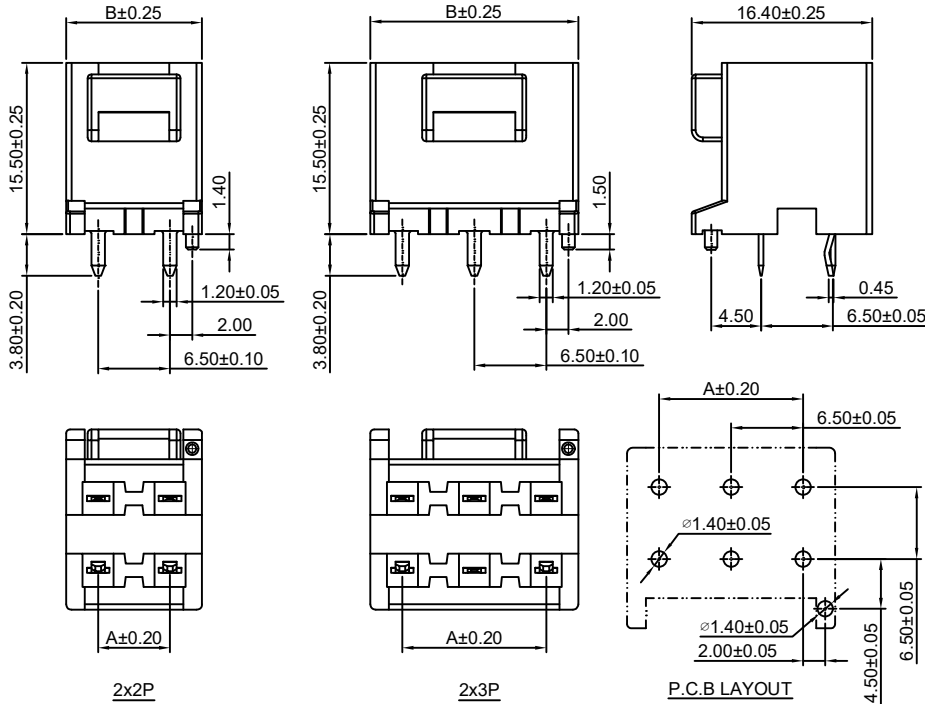
YL: Yellow

GN: Green

4. Finish:

(blank): Tin over Nickel

G: Gold over Nickel



Ordering Information & Dimensions:

PART NO.	Dimensions	
	A	B
2x2P	6.50	12.30
2x3P	13.00	18.80

Unit: mm