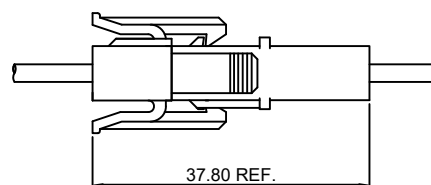
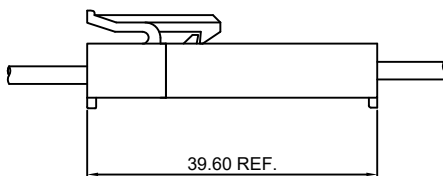


Specifications

- Current rating: 15A AC,DC
- Voltage rating: 300V AC,DC
- Temperature Range: -25°C ~ +85°C
- Contact resistance: 10mΩ Max
- Insulation resistance: 1000MΩ Min
- Withstanding voltage: 1500V AC/minute
- *Compliant with RoHS and REACH*
- *Meet the HF/Halogen Free,GWT/Glow wire Test (IEC60335-1) request,need to customize*
- *Contact HDGC for details*

Assembly layout





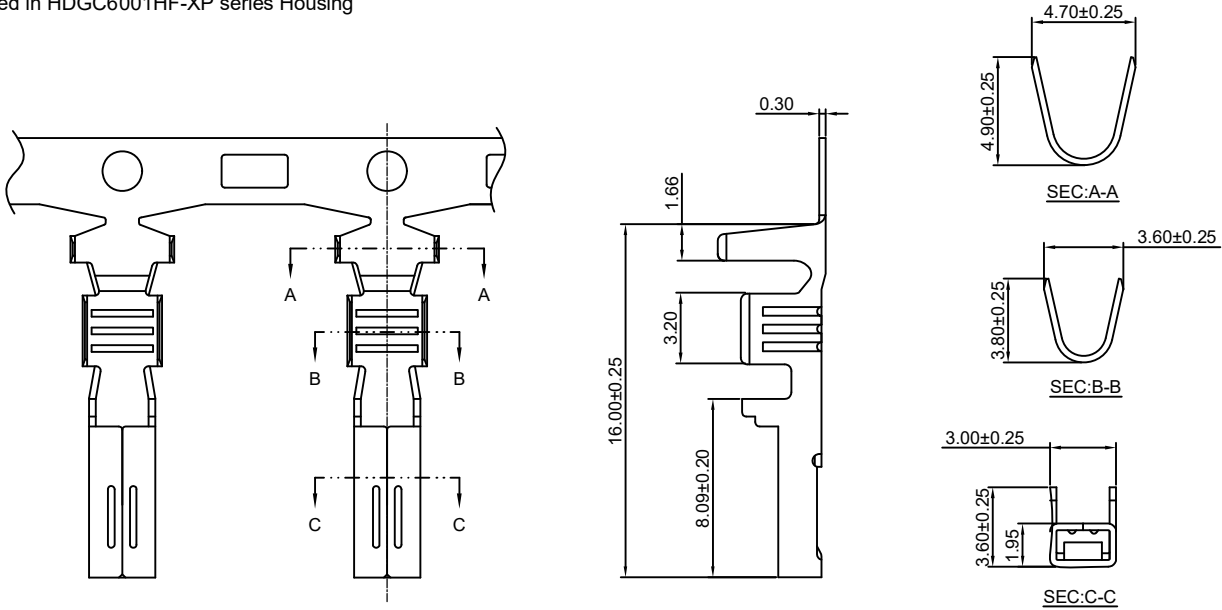
HDGC6001 Series 6.00mm (.236") Pitch Wire to Board and Wire to Wire Connector

HDGC6001F-T

6.00mm pitch Crimp Terminal

Reference Informations:

*Used in HDGC6001HF-XP series Housing



Ordering information & Specifications:

Unit:mm

Part NO.	Wire Range	Insulation O.D.	Material	Finish	Qty/reel
HDGC6001F-TP	AWG#18-#22	3.00mm(max)	Phosphor Bronze	Tin over Nickel	2,500 PCS
HDGC6001F-GP	AWG#18-#22	3.00mm(max)	Phosphor Bronze	Gold over Nickel	2,500 PCS

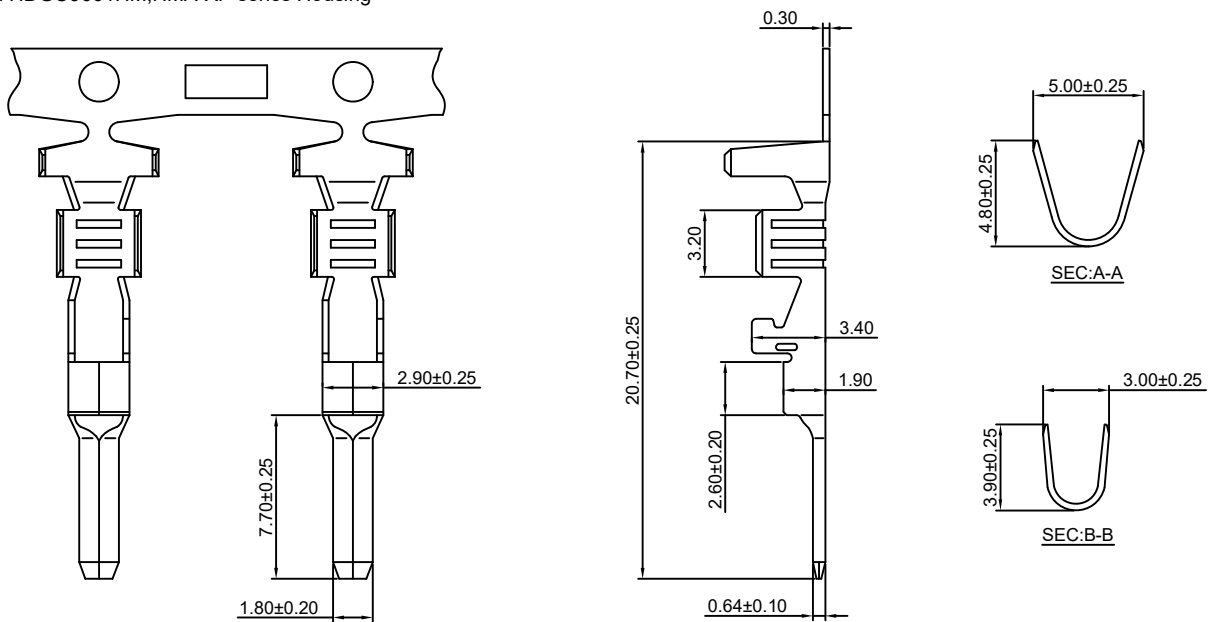
Optional Gold plating available but MOQ requested

HDGC6001M-T

6.00mm pitch Crimp Terminal

Reference Informations:

*Used in HDGC6001HM,HMA-XP series Housing



Ordering information & Specifications:

Unit:mm

Part NO.	Wire Range	Insulation O.D.	Material	Finish	Qty/reel
HDGC6001M-TP	AWG#18-#22	3.00mm(max)	Phosphor Bronze	Tin over Nickel	2,500 PCS
HDGC6001M-GP	AWG#18-#22	3.00mm(max)	Phosphor Bronze	Gold over Nickel	2,500 PCS

Optional Gold plating available but MOQ requested



HDGC6001 Series 6.00mm (.236") Pitch Wire to Board and Wire to Wire Connector

HDGC6001H

6.00mm Pitch Housing

Reference Informations:

- *Material:Housing:Nylon 66,UL94V-0
- *HDGC6001HF(Suitable Terminal:HDGC6001F-T)
- *HDGC6001HM(A)(Suitable Terminal:HDGC6001M-T)
- *Color:White

Ordering Information:
HDGC6001HF-XP - ***
 1 2

- 1.Part No.
- 2.Material:
 (blank):Nylon 66,UL94V-0
GWT:Nylon 66,UL94V-0,GWT 750 °C

Ordering Information:
HDGC6001HM(A)-XP - ***
 1 2

- 1.Part No.
- 2.Material:
 (blank):Nylon 66,UL94V-0
GWT:Nylon 66,UL94V-0,GWT 750 °C

Unit: mm

HDGC6001HF	HDGC6001HM<HMA>
<p style="text-align: center;"><u>HDGC6001HF-1P</u></p>	<p style="text-align: center;"><u>HDGC6001HM-1P</u></p>
<p style="text-align: center;"><u>HDGC6001HF-2P</u></p>	<p style="text-align: center;"><u>HDGC6001HM-2P</u></p>
<p style="text-align: center;"><u>HDGC6001HF-2P</u></p>	<p style="text-align: center;"><u>HDGC6001HMA-2P</u></p>



HDGC6001 Series 6.00mm (.236") Pitch Wire to Board and Wire to Wire Connector

HDGC6001H

6.00mm Pitch Housing

Reference Informations:

- *Material:Housing:Nylon 66,UL94V-0
- *HDGC6001HF(Suitable Terminal:HDGC6001F-T)
- *HDGC6001HM(A)(Suitable Terminal:HDGC6001M-T)
- *Color:White

Unit: mm

HDGC6001HF	HDGC6001HM<HMA>
<p style="text-align: center;">HDGC6001HF-3P</p>	<p style="text-align: center;">HDGC6001HM-3P</p>
	<p style="text-align: center;">HDGC6001HMA-3P</p>