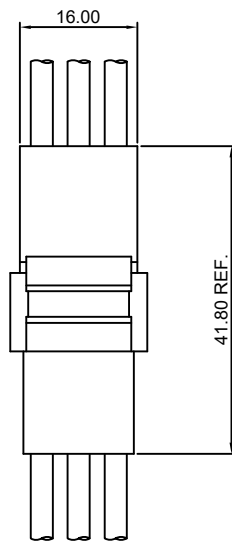


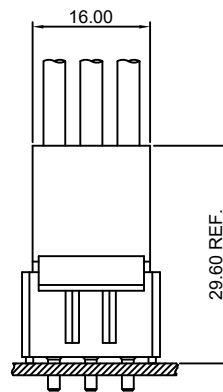
Specifications

- Current rating: 12A AC, DC
- Voltage rating: 250V AC, DC
- Temperature range: -25°C ~ +85°C
- Contact resistance: 10mΩ Max.
- Insulation resistance: 1000MΩ Min.
- Withstanding voltage: 1500V AC/minute
- *Compliant with RoHS and REACH*
- *Meet the HF/Halogen Free, GWT/Glow wire Test (IEC60335-1) request, need to customize*
- *Contact HDGC for details*

Assembly layout



wire to wire



wire to board



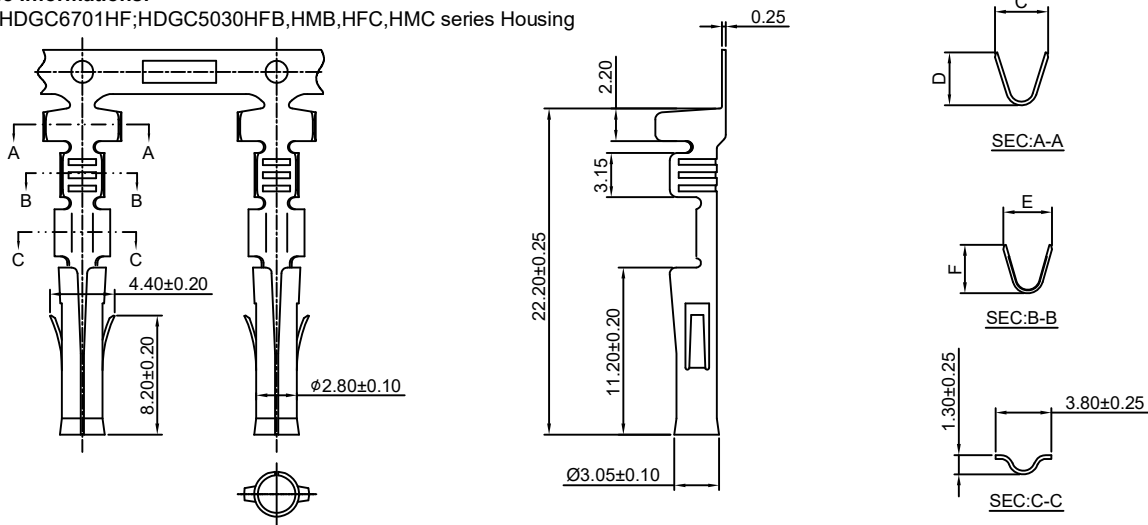
HDGC5030 Series 5.03mm (.198") Pitch Wire to Board and Wire to Wire Connector

HDGC5030F-T(-H)

5.03mm pitch Crimp Terminal

Reference Informations:

*Used in HDGC6701HF;HDGC5030HFB,HMB,HFC,HMC series Housing



Ordering information & Specifications:

Unit:mm

Part NO.	Wire Range	Insulation O.D.	Material	Finish	C	D	E	F	Qty/reel
HDGC5030F-TB	AWG#18-#24	3.10mm(max)	Brass	Tin over Nickel	3.60	3.60	3.30	3.30	5,000 PCS
HDGC5030F-TP	AWG#18-#24	3.10mm(max)	Phosphor Bronze	Gold over Nickel	3.60	3.60	3.30	3.30	5,000 PCS
HDGC5030F-GB	AWG#18-#24	3.10mm(max)	Brass	Tin over Nickel	3.60	3.60	3.30	3.30	5,000 PCS
HDGC5030F-GP	AWG#18-#24	3.10mm(max)	Phosphor Bronze	Gold over Nickel	3.60	3.60	3.30	3.30	5,000 PCS
HDGC5030F-TB-H	AWG#14-#20	4.10mm(max)	Brass	Tin over Nickel	4.70	4.80	3.00	3.40	5,000 PCS
HDGC5030F-TP-H	AWG#14-#20	4.10mm(max)	Phosphor Bronze	Gold over Nickel	4.70	4.80	3.00	3.40	5,000 PCS
HDGC5030F-GB-H	AWG#14-#20	4.10mm(max)	Brass	Tin over Nickel	4.70	4.80	3.00	3.40	5,000 PCS
HDGC5030F-GP-H	AWG#14-#20	4.10mm(max)	Phosphor Bronze	Gold over Nickel	4.70	4.80	3.00	3.40	5,000 PCS

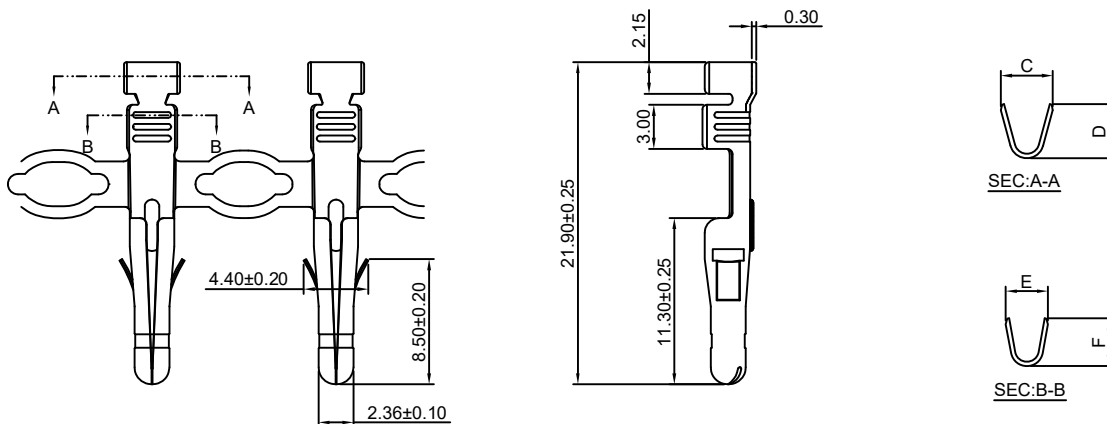
Optional Gold plating available but MOQ requested

HDGC5030M-T(-H)

5.03mm pitch Crimp Terminal

Reference Informations:

*Used in HDGC6701HM,HMA;HDGC5030HMB,HFB,HMC,HFC series Housing



Ordering information & Specifications:

Unit:mm

Part NO.	Wire Range	Insulation O.D.	Material	Finish	C	D	E	F	Qty/reel
HDGC5030M-TB	AWG#18-#24	3.10mm(max)	Brass	Tin over Nickel	3.50	3.70	2.90	3.30	5,000 PCS
HDGC5030M-TP	AWG#18-#24	3.10mm(max)	Phosphor Bronze	Gold over Nickel	3.50	3.70	2.90	3.30	5,000 PCS
HDGC5030M-GB	AWG#18-#24	3.10mm(max)	Brass	Tin over Nickel	3.50	3.70	2.90	3.30	5,000 PCS
HDGC5030M-GP	AWG#18-#24	3.10mm(max)	Phosphor Bronze	Gold over Nickel	3.50	3.70	2.90	3.30	5,000 PCS
HDGC5030M-TB-H	AWG#14-#20	4.10mm(max)	Brass	Tin over Nickel	5.40	4.90	3.20	3.30	4,000 PCS
HDGC5030M-TP-H	AWG#14-#20	4.10mm(max)	Phosphor Bronze	Gold over Nickel	5.40	4.90	3.20	3.30	4,000 PCS
HDGC5030M-GB-H	AWG#14-#20	4.10mm(max)	Brass	Tin over Nickel	5.40	4.90	3.20	3.30	4,000 PCS
HDGC5030M-GP-H	AWG#14-#20	4.10mm(max)	Phosphor Bronze	Gold over Nickel	5.40	4.90	3.20	3.30	4,000 PCS

Optional Gold plating available but MOQ requested



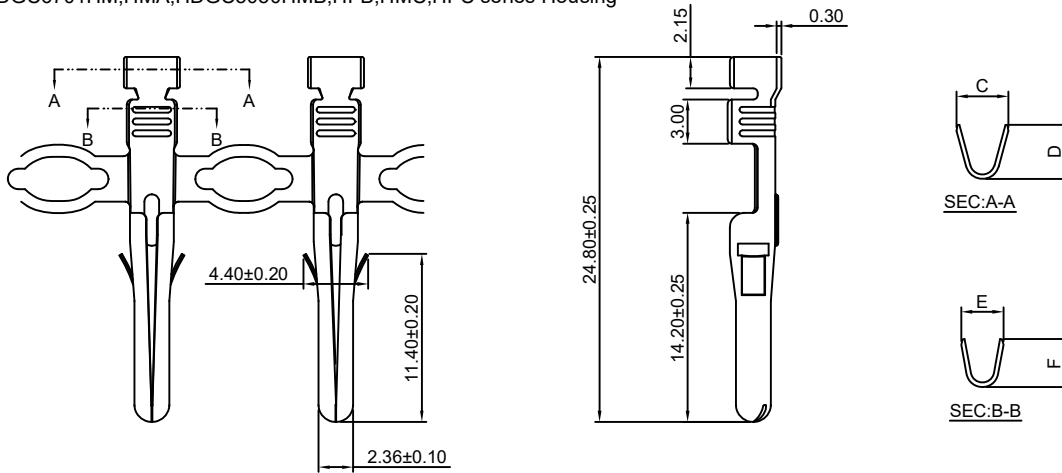
HDGC5030 Series 5.03mm (.198") Pitch Wire to Board and Wire to Wire Connector

HDGC5030ML-T(-H)

5.03mm pitch Crimp Terminal

Reference Informations:

*Used in HDGC6701HM,HMA;HDGC5030HMB,HFB,HMC,HFC series Housing



Ordering information & Specifications:

Unit:mm

Part NO.	Wire Range	Insulation O.D.	Material	Finish	C	D	E	F	Qty/reel
HDGC5030ML-TB	AWG#18-#24	3.10mm(max)	Brass	Tin over Nickel	3.50	3.70	2.90	3.30	5,000 PCS
HDGC5030ML-TP	AWG#18-#24	3.10mm(max)	Phosphor Bronze	Gold over Nickel	3.50	3.70	2.90	3.30	5,000 PCS
HDGC5030ML-GB	AWG#18-#24	3.10mm(max)	Brass	Tin over Nickel	3.50	3.70	2.90	3.30	5,000 PCS
HDGC5030ML-GP	AWG#18-#24	3.10mm(max)	Phosphor Bronze	Gold over Nickel	3.50	3.70	2.90	3.30	5,000 PCS
HDGC5030ML-TB-H	AWG#14-#20	4.10mm(max)	Brass	Tin over Nickel	5.40	4.90	3.20	3.30	4,000 PCS
HDGC5030ML-TP-H	AWG#14-#20	4.10mm(max)	Phosphor Bronze	Gold over Nickel	5.40	4.90	3.20	3.30	4,000 PCS
HDGC5030ML-GB-H	AWG#14-#20	4.10mm(max)	Brass	Tin over Nickel	5.40	4.90	3.20	3.30	4,000 PCS
HDGC5030ML-GP-H	AWG#14-#20	4.10mm(max)	Phosphor Bronze	Gold over Nickel	5.40	4.90	3.20	3.30	4,000 PCS

Optional Gold plating available but MOQ requested



HDGC5030H

5.03mm Pitch Housing

Reference Informations:

- *Material:Nylon 66,UL94V-2
- *HDGC5030HMB(Suitable Terminal:HDGC5030M(F)-T(-H))
- *HDGC5030HFB(Suitable Terminal:HDGC5030F(M)-T(-H))
- *Color:Natural

Ordering Information:

HDGC5030HFB/HMB-XP - ***
1 2

1.Part No.

2.Material:

(blank):Nylon 66,UL94V-2/Natural

V0:Nylon 66,UL94V-0/White

GWT:Nylon 66,UL94V-0,GWT 750°C

Unit: mm

HDGC5030HFB	HDGC5030HMB
<p>HDGC5030HF-1P</p>	<p>HDGC5030HM-1P</p>
<p>HDGC5030HFB-2P</p>	<p>HDGC5030HMB-2P</p>
<p>HDGC5030HFB-3P</p>	<p>HDGC5030HMB-3P</p>
<p>HDGC5030HFB-4P</p>	<p>HDGC5030HMB-4P</p>



HDGC5030 Series 5.03mm (.198") Pitch Wire to Board and Wire to Wire Connector

HDGC5030H

5.03mm Pitch Housing

Reference Informations:

- *Material:Nylon 66,UL94V-2
- *HDGC5030HMB(Suitable Terminal: HDGC5030M(F)-T(-H))
- *HDGC5030HFB(Suitable Terminal: HDGC5030F(M)-T(-H))
- *Color:Natural

Ordering Information:

HDGC5030HFB/HMB-2xXP - ***
1 2

1.Part No.

2.Material:

(blank):Nylon 66,UL94V-2/Natural

V0:Nylon 66,UL94V-0/White

GWT:Nylon 66,UL94V-0,GWT 750°C

Unit: mm

HDGC5030HFB	HDGC5030HMB
<p>HDGC5030HFB-5P</p>	<p>HDGC5030HMB-5P</p>
<p>HDGC5030HFB-2x2P</p>	<p>HDGC5030HMB-2x2P</p>
<p>HDGC5030HFB-3x2P</p>	<p>HDGC5030HMB-3x2P</p>
<p>HDGC5030HFB-3x3P</p>	<p>HDGC5030HMB-3x3P</p>



HDGC5030H

5.03mm Pitch Housing

Reference Informations:

- *Material:Nylon 66,UL94V-2
- *HDGC5030HMB(Suitable Terminal:HDGC5030M(F)-T(-H))
- *HDGC5030HFB(Suitable Terminal:HDGC5030F(M)-T(-H))
- *Color:Natural

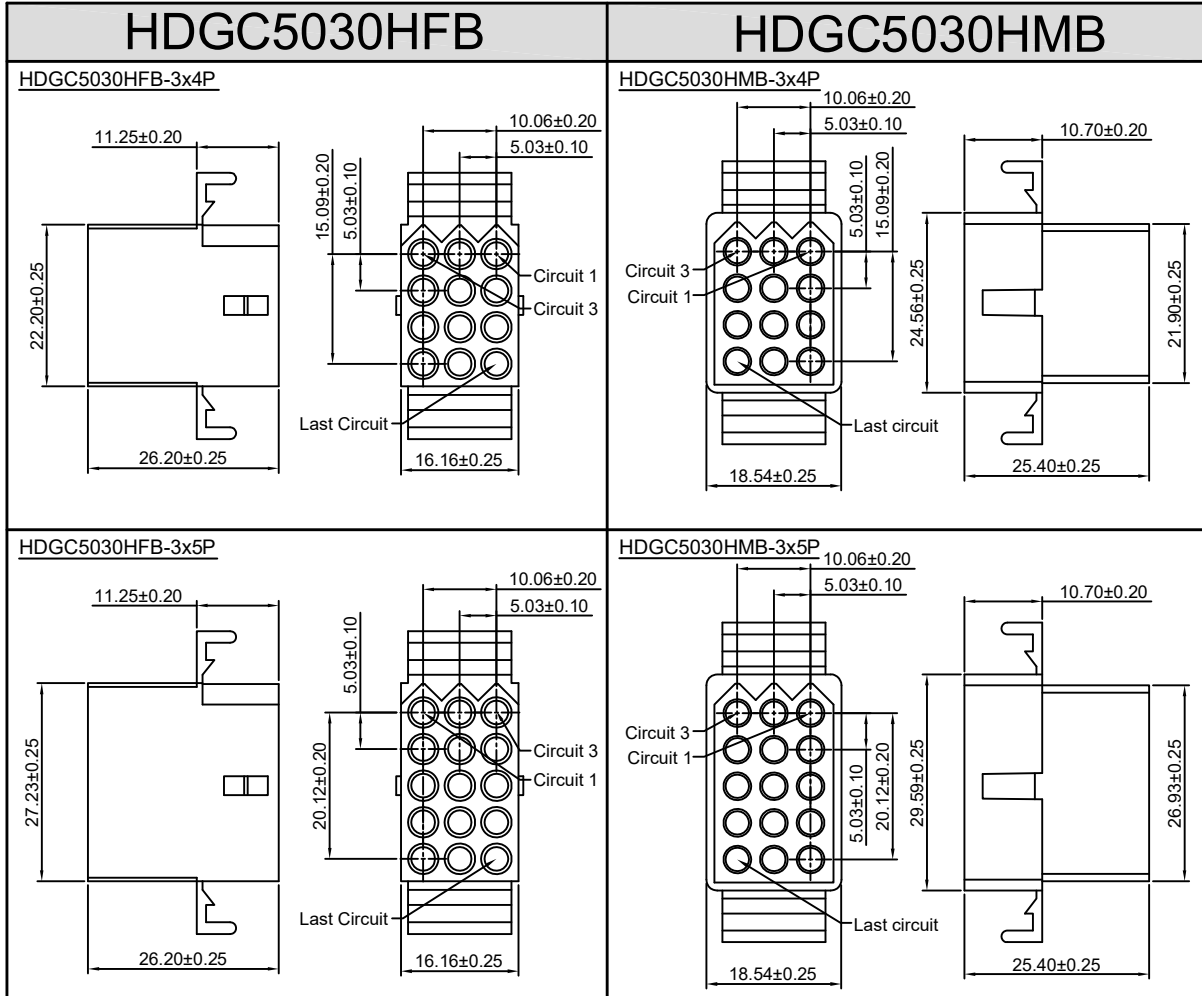
Ordering Information:

HDGC5030HFB/HMB-3xXP - ***
1 2

- 1.Part No.
- 2.Material:

(blank):Nylon 66,UL94V-2/Natural
 V0:Nylon 66,UL94V-0/White
 GWT:Nylon 66,UL94V-0,GWT 750°C

Unit: mm





HDGC5030 Series 5.03mm (.198") Pitch Wire to Board and Wire to Wire Connector

HDGC5030H

5.03mm Pitch Housing

Reference Informations:

- *Material:Nylon 66,UL94V-2
- *HDGC5030HMC(Suitable Terminal:HDGC5030M(F)-T(-H))
- *HDGC5030HFC(Suitable Terminal:HDGC5030F(M)-T(-H))
- *Color:Natural

Ordering Information:

HDGC5030HFC/HMC-XP - ***
 $\frac{1}{2}$

1.Part No.

2.Material:

(blank):Nylon 66,UL94V-2/Natural

VG:Nylon 66,UL94V-0/White

GWT:Nylon 66,UL94V-0,GWT 750°C

Unit: mm

HDGC5030HFC	HDGC5030HMC
<p><u>HDGC5030HFC-2P</u></p>	<p><u>HDGC5030HMC-2P</u></p>
<p><u>HDGC5030HFC-3P</u></p>	<p><u>HDGC5030HMC-3P</u></p>
<p><u>HDGC5030HFC-4P</u></p>	<p><u>HDGC5030HMC-4P</u></p>
<p><u>HDGC5030HFC-5P</u></p>	<p><u>HDGC5030HMC-5P</u></p>



HDGC5030 Series 5.03mm (.198") Pitch Wire to Board and Wire to Wire Connector

HDGC5030H

5.03mm Pitch Housing

Reference Informations:

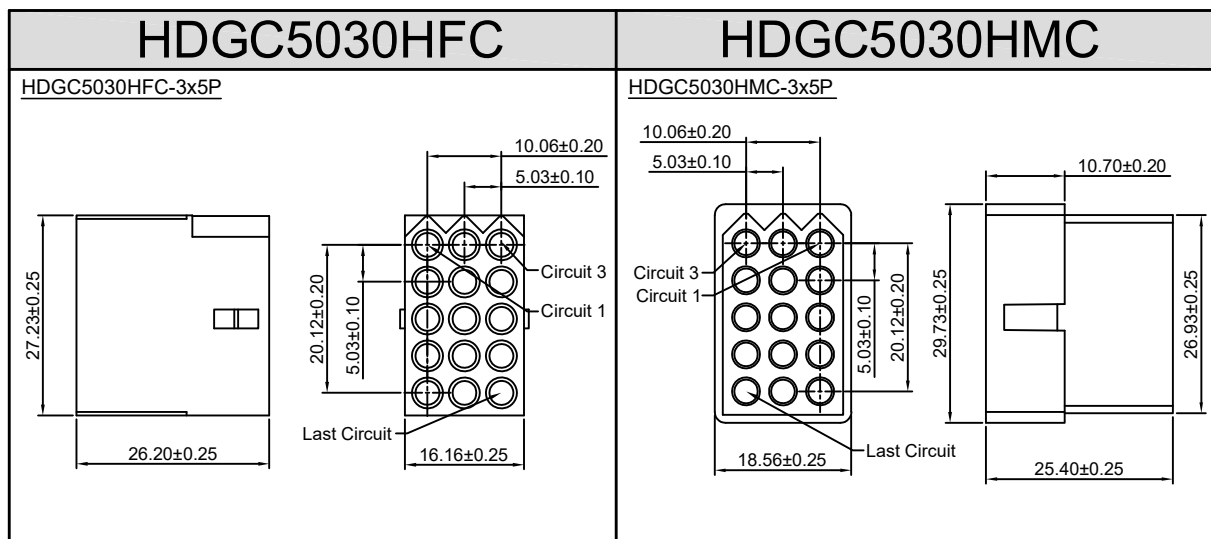
- *Material:Nylon 66,UL94V-2
- *HDGC5030HMC(Suitable Terminal:HDGC5030M(F)-T(-H))
- *HDGC5030HFC(Suitable Terminal:HDGC5030F(M)-T(-H))
- *Color:Natural

Ordering Information:

HDGC5030HFC/HMC-3xXP - ***
1 2

- 1.Part No.
- 2.Material:
(blank):Nylon 66,UL94V-2/Natural
V0:Nylon 66,UL94V-0/White
GWT:Nylon 66,UL94V-0,GWT 750°C

Unit: mm



HDGC5030WV-3x2P

5.03mm Pitch Triple Row Wafer

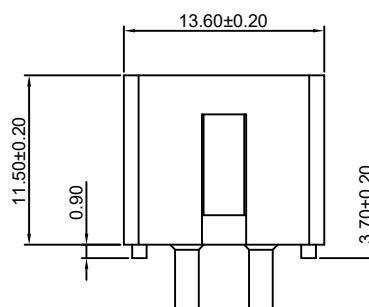
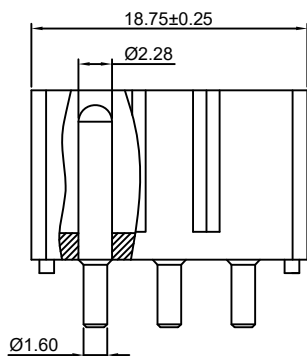
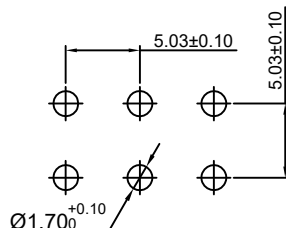
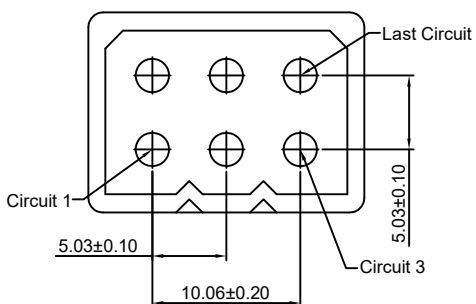
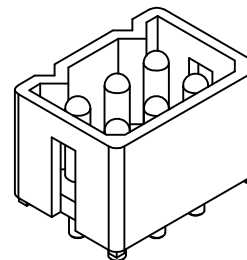
Reference Informations:

- *Material:Pin:Brass/Gold over Nickel
Insulator:Nylon 66,UL94V-2
- *Mates with HDGC5030HFB-3x2P,HFC-3x2P Housing
- *Color:Natural

Ordering Information:

HDGC5030WV-3x2P - ***
1 2

- 1.Part No.
- 2.Material:
(blank):Nylon 66,UL94V-2/Natural
V0:Nylon 66,UL94V-0/White
GWT:Nylon 66,UL94V-0,GWT 750°C



Unit: mm