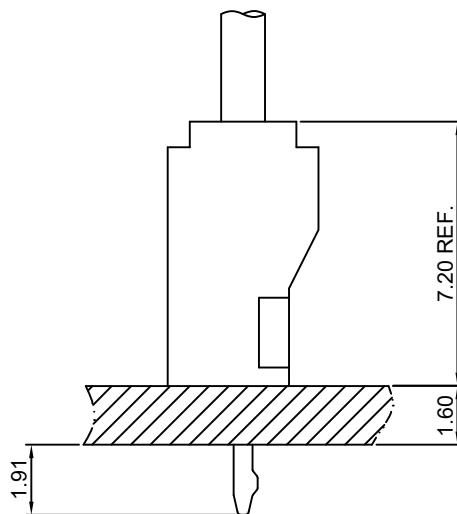


Specifications

- Current rating:3A AC,DC
- Voltage rating:250V AC,DC
- Temperature range:-25°C~+85°C
- Contact resistance:10mΩMax.
- Insulation resistance:1000MΩMin.
- Withstanding voltage:1000V AC/minute
- *Compliant with RoHS and REACH*
- *Meet the HF/Halogen Free,need to customize*
- *Contact HDGC for details*

Assembly layout





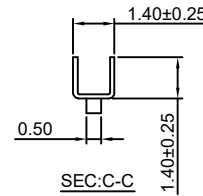
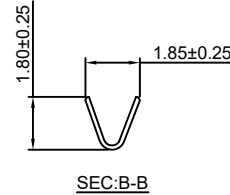
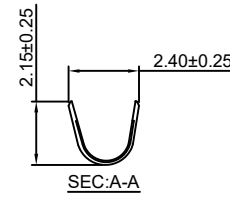
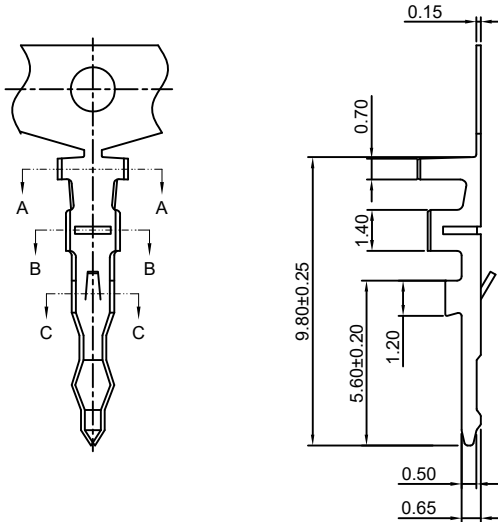
HDGC2515 Series 2.50mm (.098") Pitch Board-in Connector

HDGC2515-T

2.50mm pitch Crimp Terminal

Reference Informations:

*Used in HDGC2515H-XP series Housing



Ordering information & Specifications:

Unit:mm

| Part NO. | Wire Range | Insulation O.D. | Material | Finish | Qty/reel |
|-------------|------------|-----------------|-----------------|-----------------|------------|
| HDGC2515-TB | AWG#20-#28 | 1.90mm(max) | Brass | Tin over Nickel | 10,000 PCS |
| HDGC2515-TP | AWG#20-#28 | 1.90mm(max) | Phosphor Bronze | Tin over Nickel | 10,000 PCS |

HDGC2515H-XP

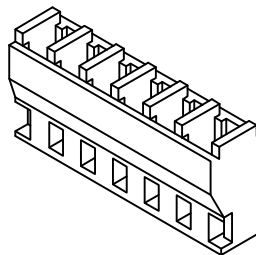
2.50mm pitch Housing

Reference Informations:

*Material:Nylon 66,UL94V-0

*Suitable HDGC2515-T series Terminal

*Color:Natural



Ordering Information:

HDGC2515H-XP - ***

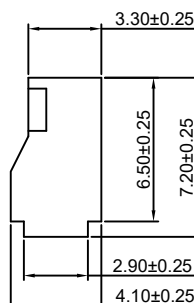
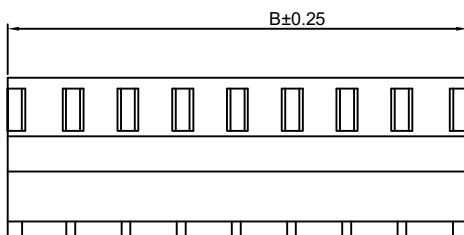
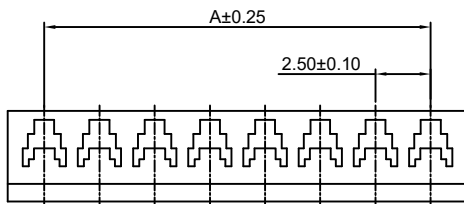
1 2

1.Part No.

2.Material:

(blank):Nylon 66,UL94V-0

GWT:Nylon 66,UL94V-0,GWT 750°C



Ordering Information & Dimensions:

| PART NO. | Dimensions | |
|----------|------------|-------|
| | A | B |
| 2P | 2.50 | 5.80 |
| 3P | 5.00 | 8.30 |
| 4P | 7.50 | 10.80 |
| 5P | 10.00 | 13.30 |
| 6P | 12.50 | 15.80 |
| 7P | 15.00 | 18.30 |
| 8P | 17.50 | 20.80 |
| 9P | 20.00 | 23.30 |
| 10P | 22.50 | 25.80 |
| 11P | 25.00 | 28.30 |
| 12P | 27.50 | 30.80 |
| 13P | 30.00 | 33.30 |
| 14P | 32.50 | 35.80 |
| 15P | 35.00 | 38.30 |
| 16P | 37.50 | 40.80 |
| 17P | 40.00 | 43.30 |
| 18P | 42.50 | 45.80 |
| 19P | 45.00 | 48.30 |
| 20P | 47.50 | 50.80 |

Unit: mm