

Specifications

Current rating:3A AC,DC

Voltage rating:250V AC,DC

Temperature range:-25°C~+85°C

Contact resistance:10mΩMax.

Insulation resistance:1000MΩMin.

Withstanding voltage:1000V AC/minute

Compliant with RoHS and REACH

Meet the HF/Halogen Free,need to customize

Contact HDGC for details



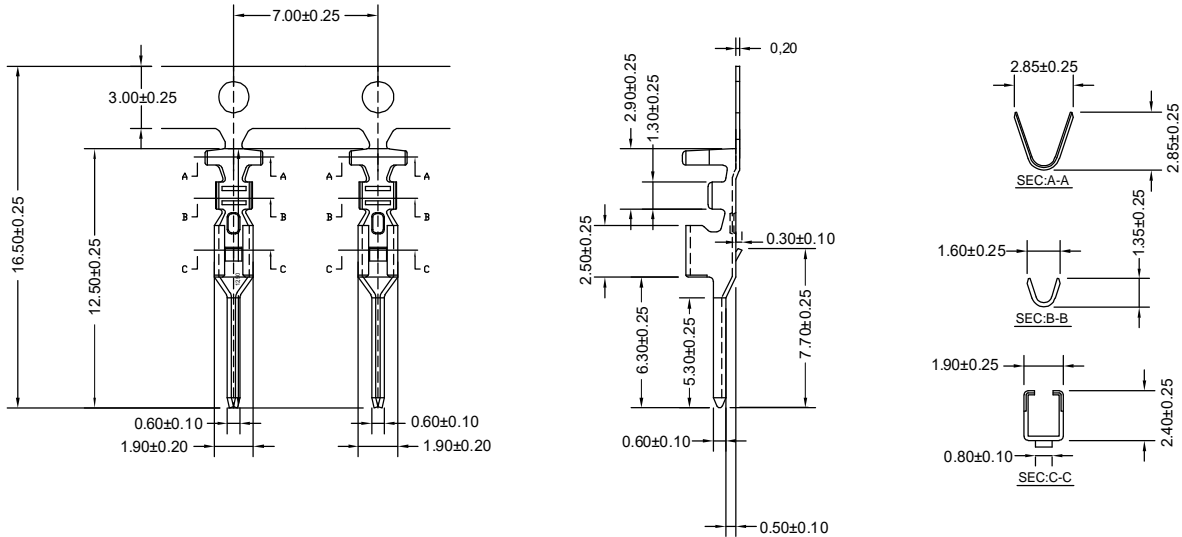
HDGC2508 Series 2.50mm (.098") Pitch Wire to Board and Wire to Wire Connector

HDGC2508-T

2.50mm Pitch Crimp Terminal

Reference Informations:

*Used in HDGC2508H-2P series Housing



Ordering information & Specifications:

Unit:mm

Part NO.	Wire Range	Insulation O.D.	Material	Finish	Qty/reel
HDGC2508-TB	AWG#22-#28	1.90mm(max)	Brass	Tin over Nickel	10,000 PCS
HDGC2508-GB	AWG#22-#28	1.90mm(max)	Brass	Gold over Nickel	10,000 PCS

Optional Gold plating available but MOQ requested

HDGC2508H-2P

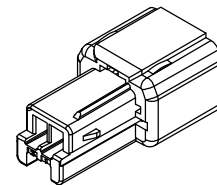
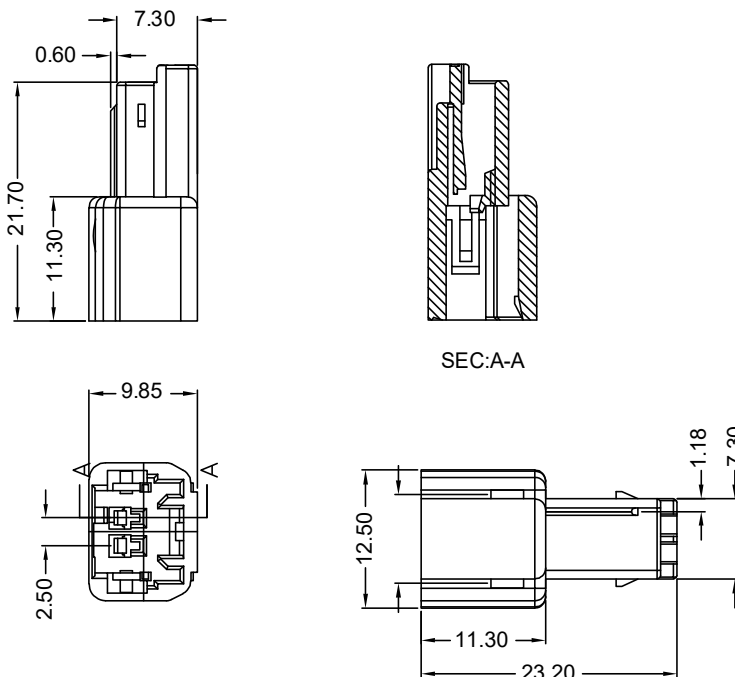
2.50mm Pitch Housing

Reference Informations:

*Material:Nylon 66 ,UL94V-0

*Suitable HDGC2508-T series Terminal

*Color:White



Ordering Information:

HDGC2508-2P - *** - **
1 2 3

1.Part No.

2.Material:

(blank):Nylon 66,UL94V-0

GWT:Nylon 66,UL94V-0,GWT 750 °C

3.Color:

(Blank):White

RD:Red

YL:Yellow

BL:Blue

Unit: mm