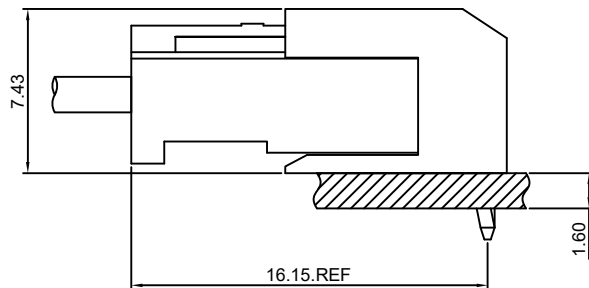
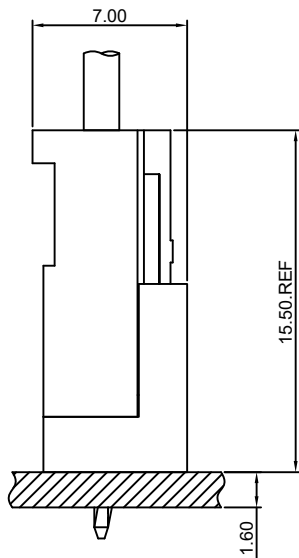


Specifications

- Current rating:3A AC,DC
- Voltage rating:250V AC,DC
- Temperature range:-25°C~+85°C
- Contact resistance:20mΩMax.
- Insulation resistance:1000MΩMin.
- Withstanding voltage:1000V AC/minute
- *Compliant with RoHS and REACH*
- *Meet the HF/Halogen Free,need to customize*
- *Contact HDGC for details*

Assembly layout





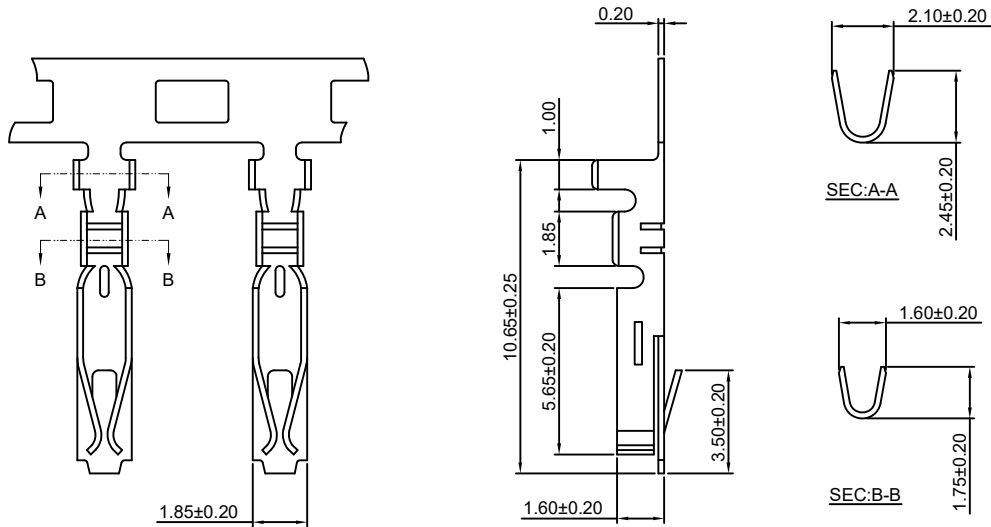
HDGC2506 Series 2.50mm (.098") Pitch Wire to Board Connector

HDGC2506-T

2.50mm pitch Crimp Terminal

Reference Informations:

*Used in HDGC2506H-XP series Housing



Ordering information & Specifications:

Unit:mm

Part NO.	Wire Range	Insulation O.D.	Material	Finish	Qty/reel
HDGC2506-TP	AWG#22-#28	1.70mm(max)	Phosphor Bronze	Tin over Nickel	10,000 PCS
HDGC2506-GP	AWG#22-#28	1.70mm(max)	Phosphor Bronze	Gold over Nickel	10,000 PCS

Optional Gold plating available but MOQ requested

HDGC2506H-XP

2.50mm pitch Housing

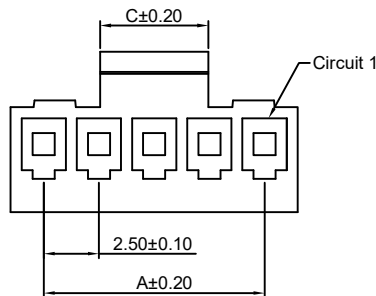
Reference Informations:

*Material:Nylon 66,UL94V-0

*Suitable HDGC2506-T series Terminal

*Mates with HDGC2506WV,WR,WRA-XP series Wafer

*Color:Pink



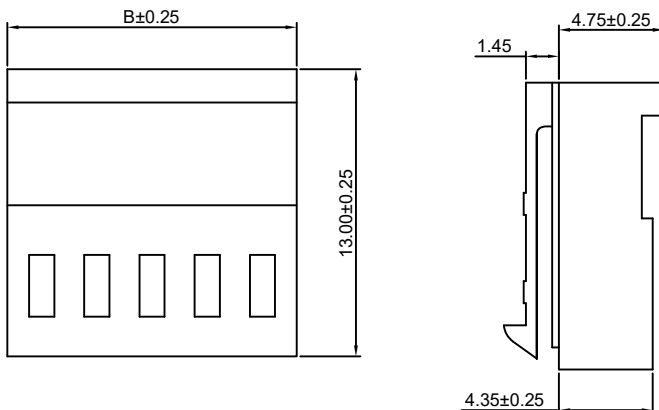
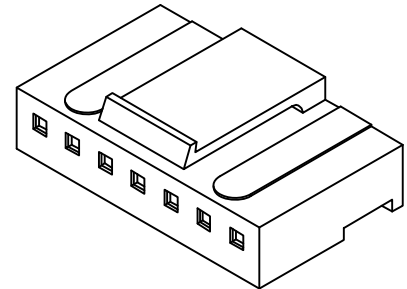
Ordering Information:
HDGC2506H-XP - ***
1 2

1.Part No.

2.Material:

(Blank):Nylon 66,UL94V-0

GWT :Nylon 66,UL94V-0 GWT 750 °C



Ordering Information & Dimensions:

PART NO.	Dimensions		
	A	B	C
2P	2.50	5.50	2.00
3P	5.00	8.00	3.00
4P	7.50	10.50	4.00
5P	10.00	13.00	5.00
6P	12.50	15.50	6.00
7P	15.00	18.00	8.00
8P	17.50	20.50	10.00
9P	20.00	23.00	10.00
10P	22.50	25.50	10.00
11P	25.00	28.00	11.00
12P	27.50	30.50	11.00
13P	30.00	33.00	13.00
14P	32.50	35.50	13.00
15P	35.00	38.00	13.00

Unit: mm



HDGC2506 Series 2.50mm (.098") Pitch Wire to Board Connector

HDGC2506WV-XP

2.50mm pitch 180° Wafer

Reference Informations:

*Material:Pin:Brass/Tin over Nickel
Insulator:PBT,UL94V-0

*Mates with HDGC2506H-XP series Housing

*Color:Pink

Ordering Information:

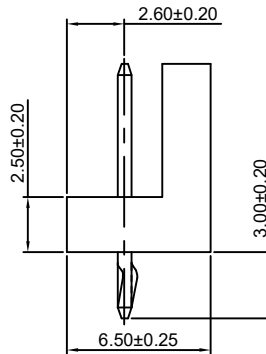
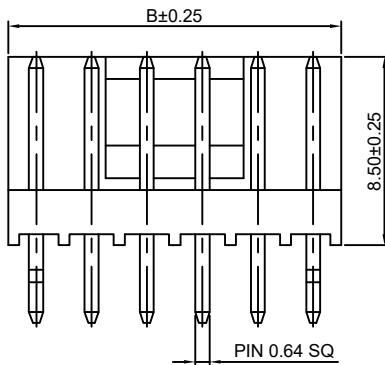
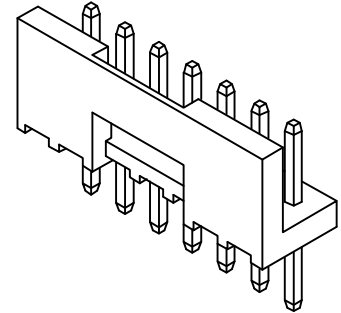
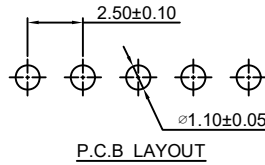
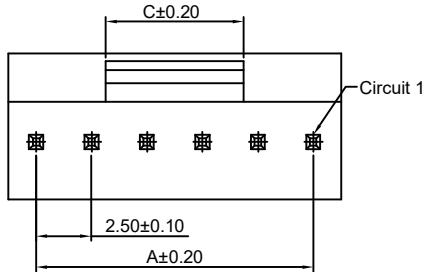
HDGC2506WV-XP - ***
1 2

1.Part No.

2.Material:

(Blank):PBT,UL94V-0

GWT :PBT,UL94V-0 GWT 750°C



Ordering Information & Dimensions:

PART NO.	Dimensions		
	A	B	C
2P	2.50	5.50	2.20
3P	5.00	8.00	3.20
4P	7.50	10.50	5.20
5P	10.00	13.00	5.20
6P	12.50	15.50	6.20
7P	15.00	18.00	8.20
8P	17.50	20.50	10.20
9P	20.00	23.00	10.20
10P	22.50	25.50	10.20
11P	25.00	28.00	11.20
12P	27.50	30.50	11.20
13P	30.00	33.00	13.20
14P	32.50	35.50	13.20
15P	35.00	38.00	13.20

Unit: mm

HDGC2506WR-XP

2.50mm pitch 90° Wafer

Reference Informations:

*Material:Pin:Brass/Tin over Nickel
Insulator:PBT,UL94V-0

*Mates with HDGC2506H-XP series Housing

*Color:Pink

Ordering Information:

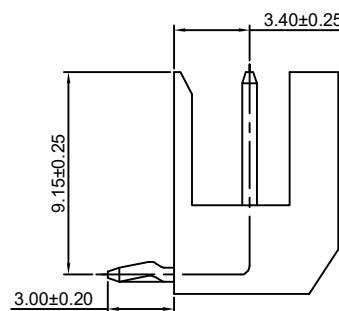
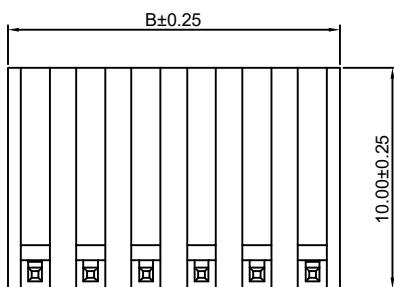
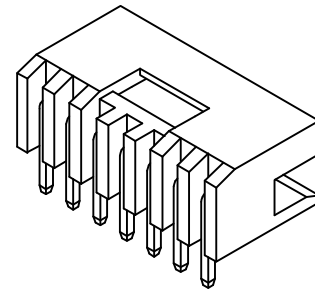
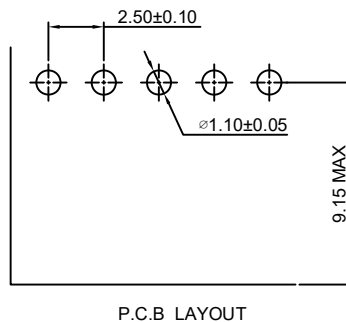
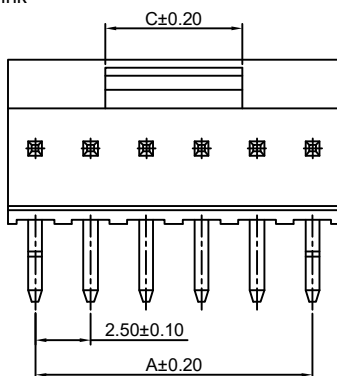
HDGC2506WR-XP - ***
1 2

1.Part No.

2.Material:

(Blank):PBT,UL94V-0

GWT :PBT,UL94V-0 GWT 750°C



Ordering Information & Dimensions:

PART NO.	Dimensions		
	A	B	C
2P	2.50	5.50	2.20
3P	5.00	8.00	3.20
4P	7.50	10.50	5.20
5P	10.00	13.00	5.20
6P	12.50	15.50	6.20
7P	15.00	18.00	8.20
8P	17.50	20.50	10.20
9P	20.00	23.00	10.20
10P	22.50	25.50	10.20
11P	25.00	28.00	11.20
12P	27.50	30.50	11.20
13P	30.00	33.00	13.20
14P	32.50	35.50	13.20
15P	35.00	38.00	13.20

Unit: mm



HDGC2506 Series 2.50mm (.098") Pitch Wire to Board Connector

HDGC2506WRA-XP

2.50mm pitch 90° Wafer

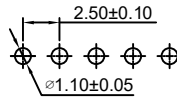
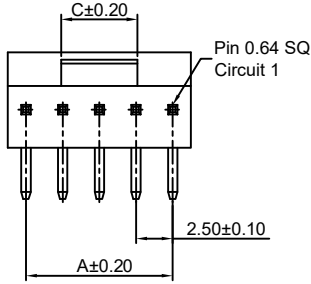
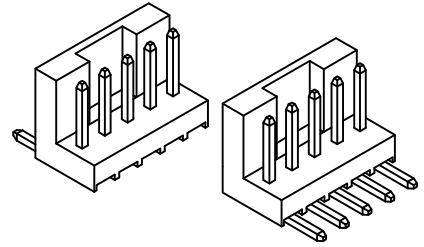
Reference Informations:

- *Material: Pin: Brass/Tin over Nickel
Insulator: Nylon 66, UL94V-0
- *Mates with HDGC2506H-XP series Housing
- *Color: Pink

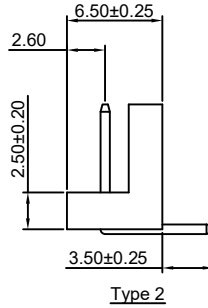
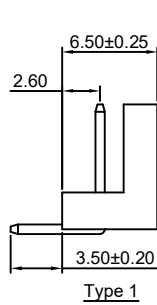
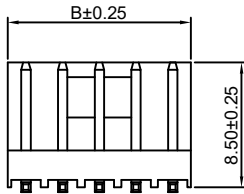
Ordering Information:

HDGC2506WRA-XP - * - ***
1 2 3

1. Part No.
2. Style:
(blank)-Type 1
2-Type 2
3. Material:
(Blank): Nylon 66, UL94V-0
GWT : Nylon 66, UL94V-0 GWT 750 °C



P.C.B LAYOUT



Ordering Information & Dimensions:

PART NO.	Dimensions		
	A	B	C
2P	2.50	5.50	2.20
3P	5.00	8.00	3.20
4P	7.50	10.50	5.20
5P	10.00	13.00	5.20
6P	12.50	15.50	6.20
7P	15.00	18.00	8.20
8P	17.50	20.50	10.20
9P	20.00	23.00	10.20
10P	22.50	25.50	10.20
11P	25.00	28.00	11.20
12P	27.50	30.50	11.20
13P	30.00	33.00	13.20
14P	32.50	35.50	13.20
15P	35.00	38.00	13.20

Unit: mm