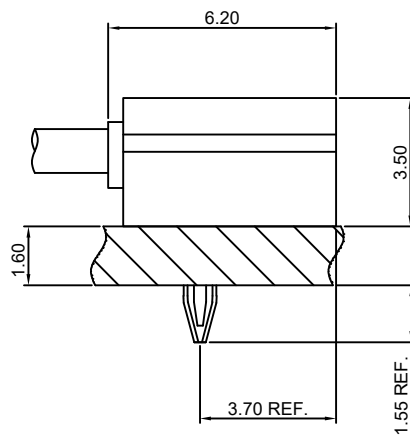


Specifications

Current rating: 2A AC, DC
 Voltage rating: 250V AC, DC
 Temperature range: -25°C ~ +85°C
 Contact resistance: 20mΩ Max.
 Insulation resistance: 1000MΩ Min.
 Withstanding voltage: 800V AC/minute
 Contact HDGC for details

Assembly layout





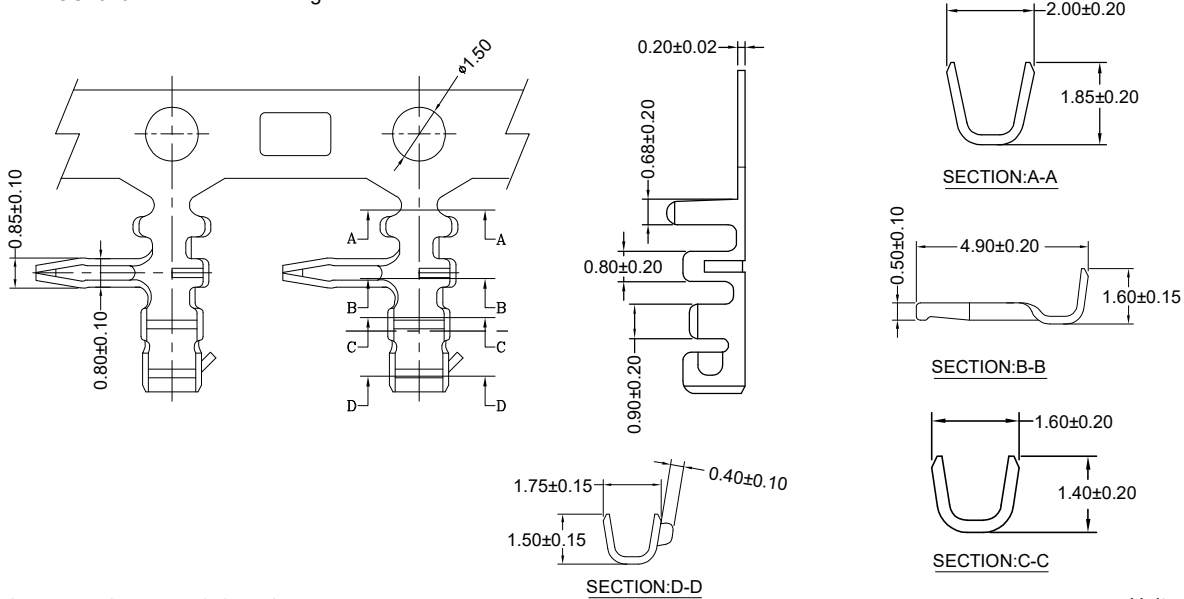
HDGC2016 Series 2.00mm (.079") Pitch Board-in Connector

HDGC2016-T

2.00mm pitch Crimp Terminal

Reference Informations:

*Used in HDGC2016H-XP series Housing



Ordering information & Specifications:

Unit:mm

Part NO.	Wire Range	Insulation O.D.	Material	Finish	Qty/reel
HDGC2016-TB	AWG#24-#30	1.30mm(max)	Brass	Tin over Nickel	15,000 PCS
HDGC2016-TP	AWG#24-#30	1.30mm(max)	Phosphor Bronze	Tin over Nickel	15,000 PCS
HDGC2016-GB	AWG#24-#30	1.30mm(max)	Brass	Gold over Nickel	15,000 PCS
HDGC2016-GP	AWG#24-#30	1.30mm(max)	Phosphor Bronze	Gold over Nickel	15,000 PCS

Optional Gold plating available but MOQ requested

HDGC2016H-XP

2.00mm pitch Housing

Reference Informations:

*Material:Nylon 66,UL94V-0

*Suitable HDGC2016-T series Terminal

*Color:Natural(white)

Ordering Information:

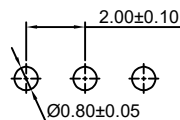
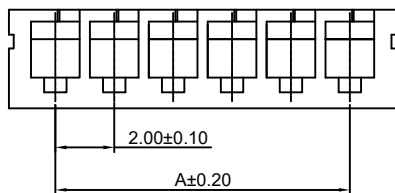
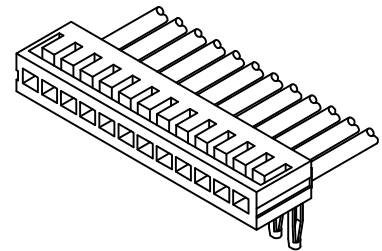
HDGC2016H-XP - ***

1.Part No.

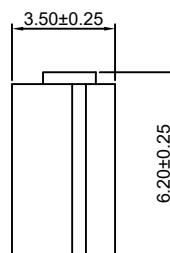
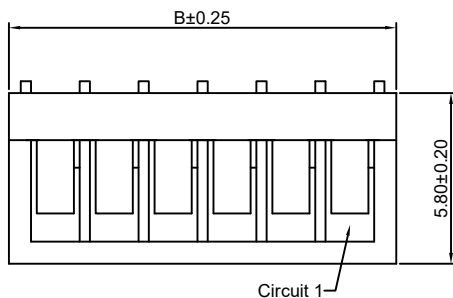
2.Material:

(blank):Nylon 66,UL94V-0

GWT:Nylon 66,UL94V-0,GWT 750°C



P.C.B LAYOUT



Ordering Information & Dimensions:

PART NO.	Dimensions	
	A	B
2P	2.00	5.20
3P	4.00	7.20
4P	6.00	9.20
5P	8.00	11.20
6P	10.00	13.20
7P	12.00	15.20
8P	14.00	17.20
9P	16.00	19.20
10P	18.00	21.20
11P	20.00	23.20
12P	22.00	25.20
13P	24.00	27.20
14P	26.00	29.20
15P	28.00	31.20
16P	30.00	33.20

Unit: mm