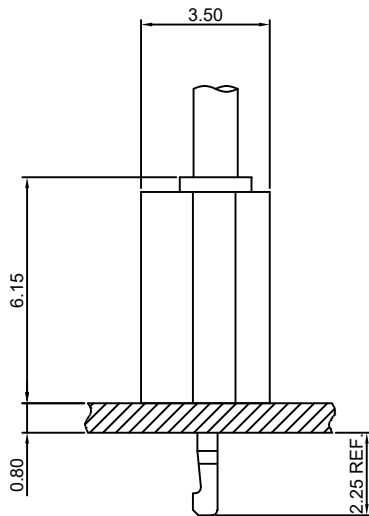


Specifications

- Current rating: 1A AC,DC
- Voltage rating: 250V AC,DC
- Temperature range: -25°C~+85°C
- Contact resistance: 20mΩMax.
- Insulation resistance: 500MΩMin.
- Withstanding voltage: 1000V AC/minute
- *Compliant with RoHS and REACH*
- *Meet the HF/Halogen Free need to customize*
- *Contact HDGC for details*

Assembly layout





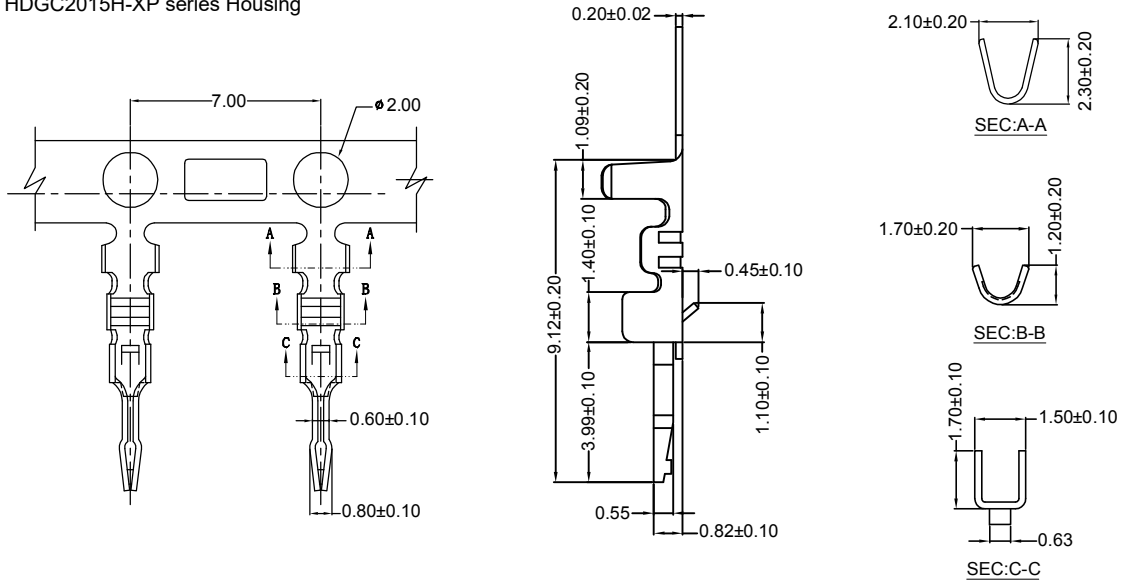
HDGC2015 Series 2.00mm (.079") Pitch Board-in Connector

HDGC2015-T

2.00mm pitch Crimp Terminal

Reference Informations:

*Used in HDGC2015H-XP series Housing



Ordering information & Specifications:

Unit:mm

Part NO.	Wire Range	Insulation O.D.	Material	Finish	Qty/reel
HDGC2015-TB	AWG#24-#30	1.30mm(max)	Brass	Tin over Nickel	14,000 PCS
HDGC2015-TP	AWG#24-#30	1.30mm(max)	Phosphor Bronze	Tin over Nickel	14,000 PCS
HDGC2015-GB	AWG#24-#30	1.30mm(max)	Brass	Gold over Nickel	14,000 PCS
HDGC2015-GP	AWG#24-#30	1.30mm(max)	Phosphor Bronze	Gold over Nickel	14,000 PCS

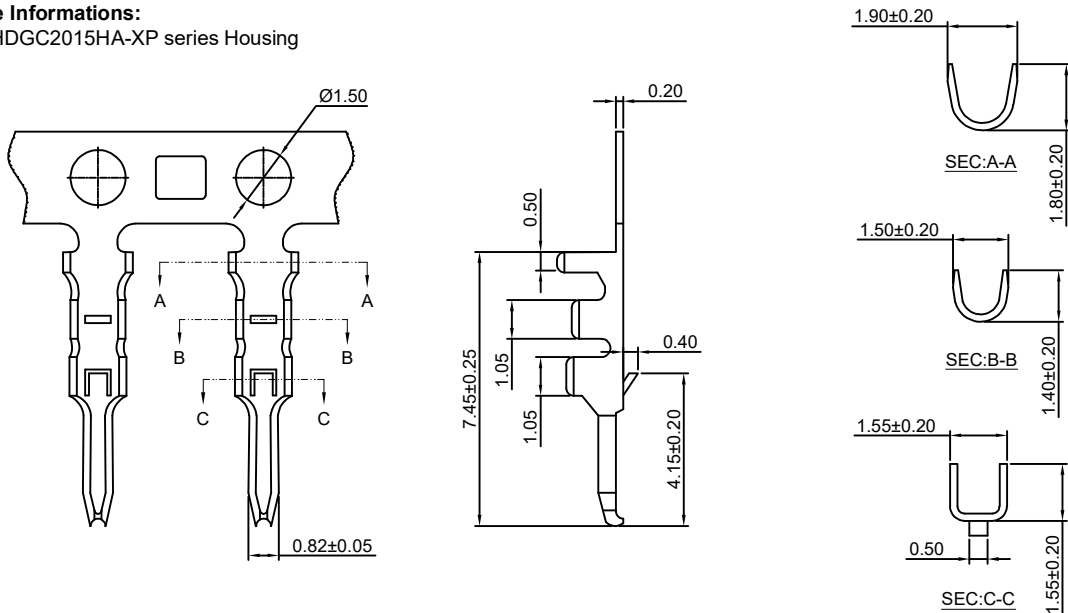
Optional Gold plating available but MOQ requested

HDGC2015-T-A

2.00mm pitch Crimp Terminal

Reference Informations:

*Used in HDGC2015HA-XP series Housing



Ordering information & Specifications:

Unit:mm

Part NO.	Wire Range	Insulation O.D.	Material	Finish	Qty/reel
HDGC2015-TB-A	AWG#28-#30	1.00mm(max)	Brass	Tin over Nickel	10,000 PCS
HDGC2015-TP-A	AWG#28-#30	1.00mm(max)	Phosphor Bronze	Tin over Nickel	10,000 PCS
HDGC2015-GB-A	AWG#28-#30	1.00mm(max)	Brass	Gold over Nickel	10,000 PCS
HDGC2015-GP-A	AWG#28-#30	1.00mm(max)	Phosphor Bronze	Gold over Nickel	10,000 PCS

Optional Gold plating available but MOQ requested



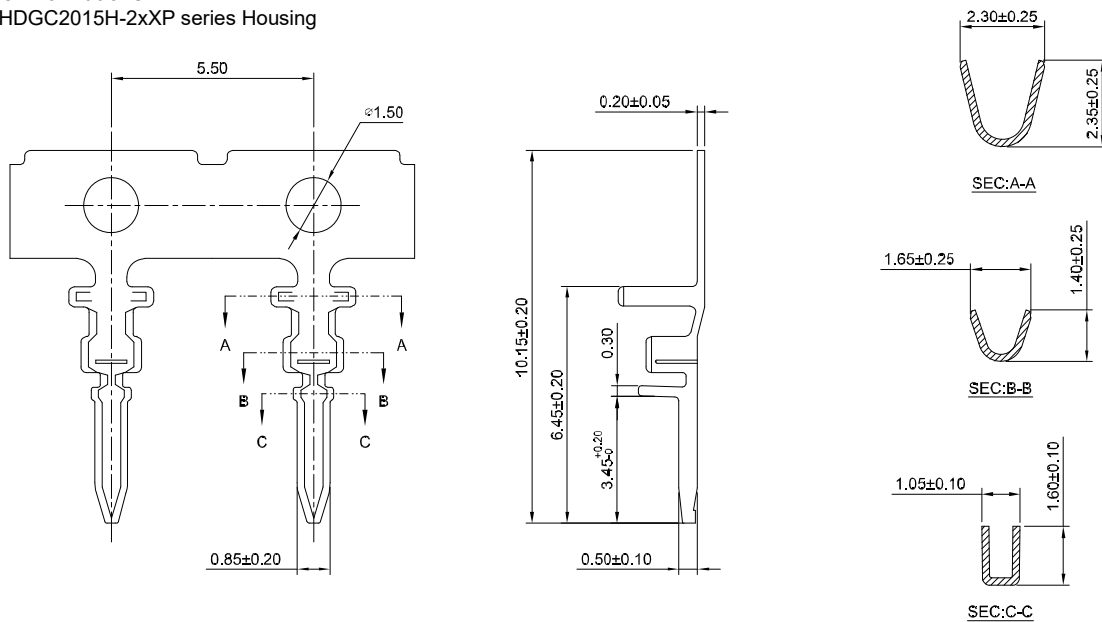
HDGC2015 Series 2.00mm (.079") Pitch Board-in Connector

HDGC2015-T-B

2.00mm pitch Crimp Terminal

Reference Informations:

*Used in HDGC2015H-2xXP series Housing



Ordering information & Specifications:

Unit:mm

Part NO.	Wire Range	Insulation O.D.	Material	Finish	Qty/reel
HDGC2015-TB-B	AWG#24-#28	1.20mm(max)	Brass	Tin over Nickel	15,000 PCS
HDGC2015-TP-B	AWG#24-#28	1.20mm(max)	Phosphor Bronze	Tin over Nickel	15,000 PCS
HDGC2015-GB-B	AWG#24-#28	1.20mm(max)	Brass	Gold over Nickel	15,000 PCS
HDGC2015-GP-B	AWG#24-#28	1.20mm(max)	Phosphor Bronze	Gold over Nickel	15,000 PCS

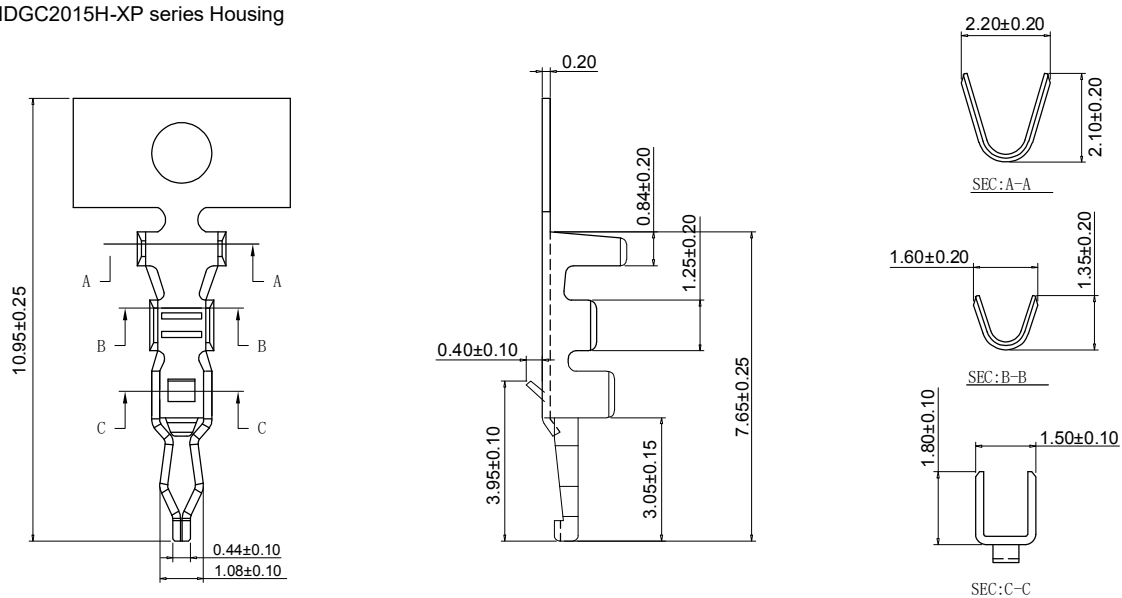
Optional Gold plating available but MOQ requested

HDGC2015-T-C

2.00mm pitch Crimp Terminal

Reference Informations:

*Used in HDGC2015H-XP series Housing



Ordering information & Specifications:

Unit:mm

Part NO.	Wire Range	Insulation O.D.	Material	Finish	Qty/reel
HDGC2015-TB-C	AWG#24-#28	1.30mm(max)	Brass	Tin over Nickel	14,000 PCS
HDGC2015-TP-C	AWG#24-#28	1.30mm(max)	Phosphor Bronze	Tin over Nickel	14,000 PCS
HDGC2015-GB-C	AWG#24-#28	1.30mm(max)	Brass	Gold over Nickel	14,000 PCS
HDGC2015-GP-C	AWG#24-#28	1.30mm(max)	Phosphor Bronze	Gold over Nickel	14,000 PCS

Optional Gold plating available but MOQ requested



HDGC2015 Series 2.00mm (.079") Pitch Board-in Connector

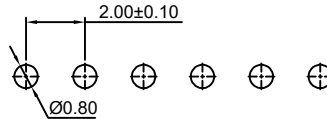
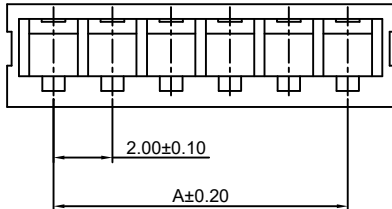
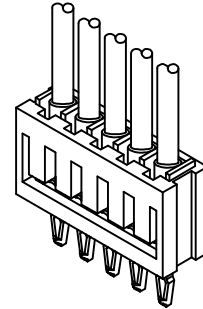
HDGC2015H-XP

2.00mm pitch Housing

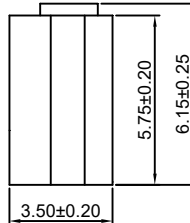
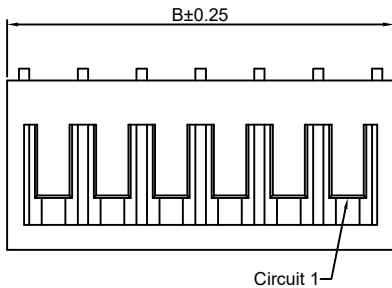
Reference Informations:

- *Material: Nylon 66, UL94V-0
- *Suitable HDGC2015-T series Terminal
- *Color: White

Ordering Information:
HDGC2015H-XP - ***
 1 2
 1. Part No.
 2. Material:
 (blank): Nylon 66, UL94V-0
 GWT: Nylon 66, UL94V-0, GWT 750°C



P.C.B LAYOUT



Ordering Information & Dimensions:

PART NO.	Dimensions	
	A	B
2P	2.00	5.20
3P	4.00	7.20
4P	6.00	9.20
5P	8.00	11.20
6P	10.00	13.20
7P	12.00	15.20
8P	14.00	17.20
9P	16.00	19.20
10P	18.00	21.20
11P	20.00	23.20
12P	22.00	25.20
13P	24.00	27.20
14P	26.00	29.20
15P	28.00	31.20
16P	30.00	33.20

Unit: mm

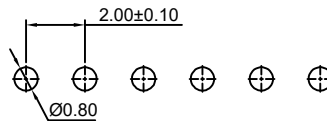
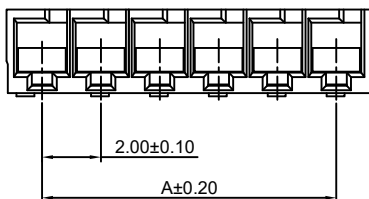
HDGC2015HA-XP

2.00mm pitch Housing

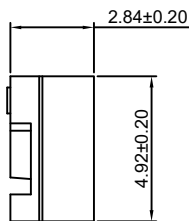
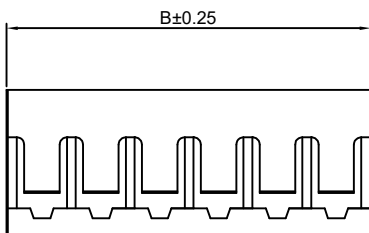
Reference Informations:

- *Material: Nylon 66, UL94V-0
- *Suitable HDGC2015-T-A series Terminal
- *Color: White

Ordering Information:
HDGC2015HA-XP - ***
 1 2
 1. Part No.
 2. Material:
 (blank): Nylon 66, UL94V-0
 GWT: Nylon 66, UL94V-0, GWT 750°C



P.C.B LAYOUT



Ordering Information & Dimensions:

PART NO.	Dimensions	
	A	B
2P	2.00	4.40
3P	4.00	6.40
4P	6.00	8.40
5P	8.00	10.40
6P	10.00	12.40
7P	12.00	14.40
8P	14.00	16.40
9P	16.00	18.40
10P	18.00	20.40
11P	20.00	22.40
12P	22.00	24.40
13P	24.00	26.40
14P	26.00	28.40
15P	28.00	30.40
16P	30.00	32.40

Unit: mm



HDGC2015 Series 2.00mm (.079") Pitch Board-in Connector

HDGC2015H-2xXP

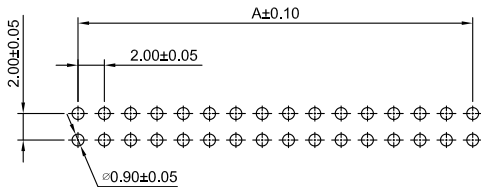
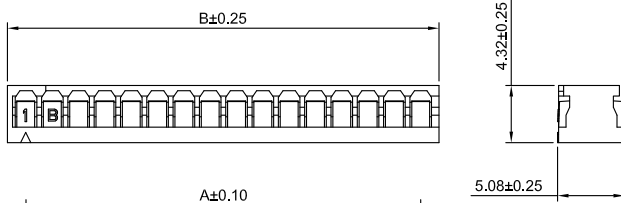
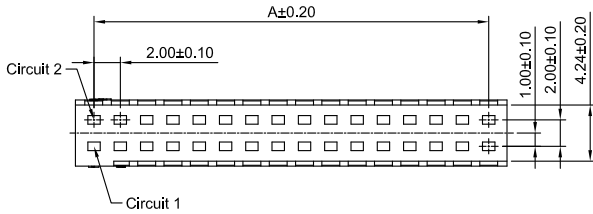
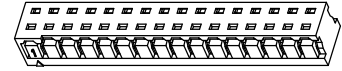
2.00mm pitch Housing

Reference Informations:

- *Material:Nylon 66,UL94V-0
- *Suitable HDGC2015-T-B series Terminal
- *Color:Black

Ordering Information:
HDGC2015H-2xXP - ***
 1 2

- 1.Part No.
- 2.Material:
 (blank):Nylon 66,UL94V-0
 GWT:Nylon 66,UL94V-0,GWT 750°C



P.C.B LAYOUT

Ordering Information & Dimensions

Circuits	Dimensions(mm)		Circuits	Dimensions(mm)	
	A	B		A	B
2x2P	2.00	4.80	2x10P	18.00	20.80
2x3P	4.00	6.80	2x11P	20.00	22.80
2x4P	6.00	8.80	2x12P	22.00	24.80
2x5P	8.00	10.80	2x13P	24.00	26.80
2x6P	10.00	12.80	2x14P	26.00	28.80
2x7P	12.00	14.80	2x15P	28.00	30.80
2x8P	14.00	16.80	2x16P	30.00	32.80
2x9P	16.00	18.80			

Unit: mm