

Specifications

- Current rating:2A AC,DC
- Voltage rating:100V AC,DC
- Temperature range:-25°C~+85°C
- Contact resistance:10mΩMax.
- Insulation resistance:1000MΩMin.
- Withstanding voltage:800V AC/minute
- *Compliant with RoHS and REACH*
- *Meet the HF/Halogen Free need to customize*
- *Contact HDGC for details*



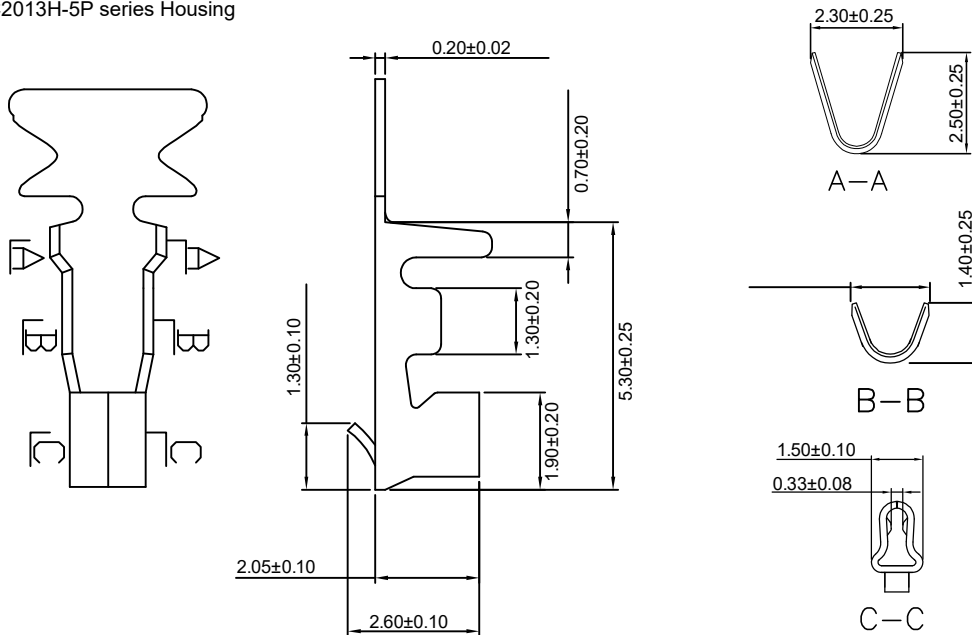
HDGC2013 Series 2.00mm (.079") Pitch Wire to Board Connector

HDGC2013-T

2.00mm pitch Crimp Terminal

Reference Informations:

*Used in HDGC2013H-5P series Housing



Ordering information & Specifications:

Unit:mm

Part NO.	Wire Range	Insulation O.D.	Material	Finish	Qty/reel
HDGC2013-TP	AWG#24-#30	1.50mm(max)	Phosphor Bronze	Tin over Nickel	14,000 PCS
HDGC2013-GP	AWG#24-#30	1.50mm(max)	Phosphor Bronze	Gold over Nickel	14,000 PCS

Optional Gold plating available but MOQ requested

HDGC2013H-5P

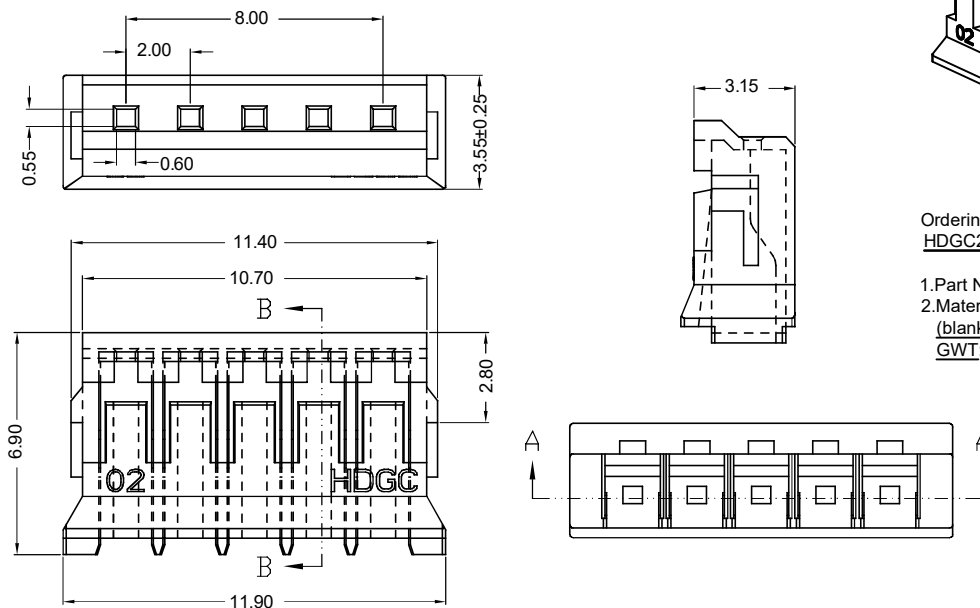
2.00mm pitch Housing

Reference Informations:

*Material:Nylon 66,UL94V-0

*Suitable HDGC2013-T series Terminal

*Color:Natural(white)



Ordering Information:

HDGC2013H-5P - ***
1 2

1.Part No.

2.Material:

(blank):Nylon 66,UL94V-0

GWT:Nylon 66,UL94V-0,GWT 750°C

Unit: mm