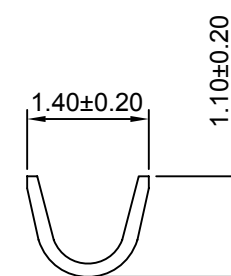
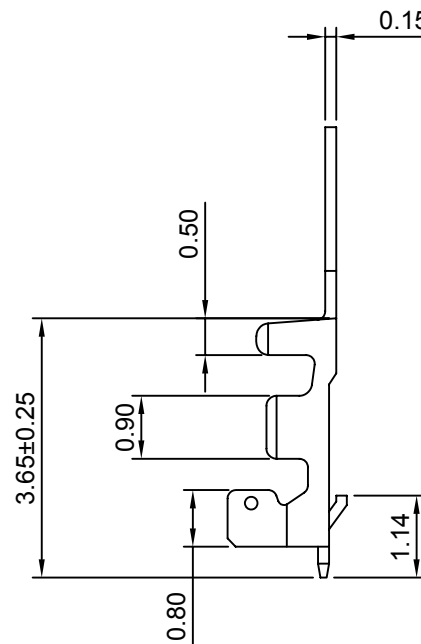
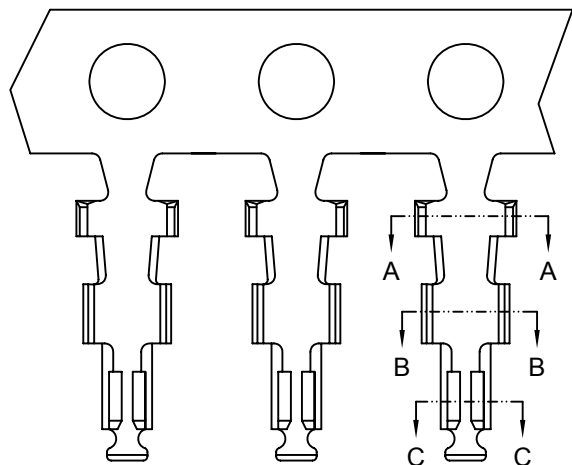
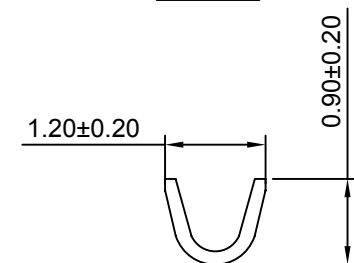


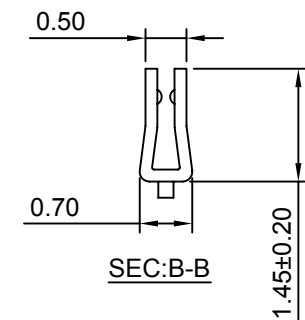
修订 REV	标记 MARK	修改摘要 REVISION DESCRIPTION	签名 SIGNATURE	日期 DATE
AO		NEW RELEASE	黄艳兰	2012-12-10



SEC:A-A



SEC:B-B



SEC:B-B

Ordering information & Specifications

Unit:mm

Part No	Wire Range	Insulation O.D.	Material	Finish	Qty/reel
HDGC1003-TP	AWG#28-#32	0.80mm(max)	Phosphor Bronze	Tin over Nickel	20,000 PCS
HDGC1003-GP	AWG#28-#32	0.80mm(max)	Phosphor Bronze	Gold over Nickel	20,000 PCS

Optional Gold plating available but MOQ requested



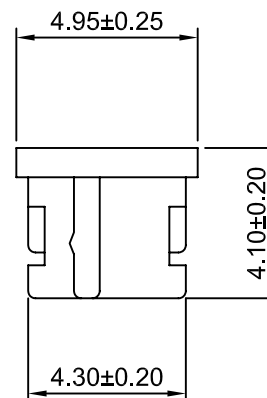
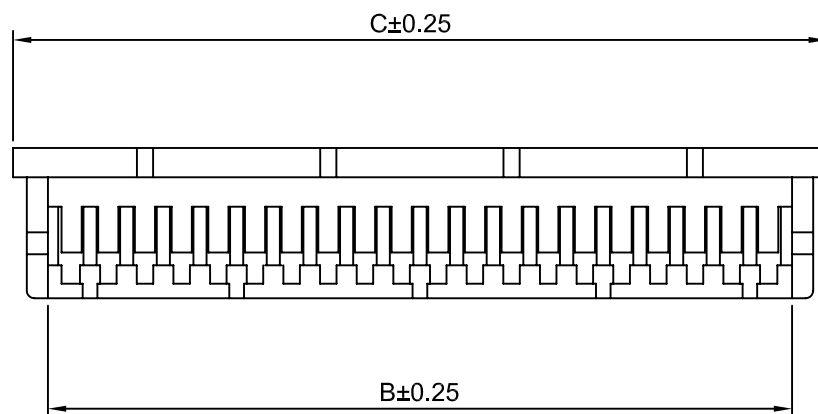
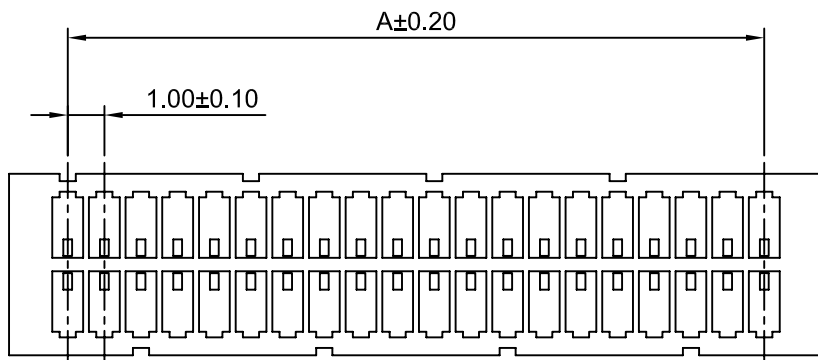
深圳市华德共创科技有限公司

Shenzhen Huade co-create Technology Co.,LTD

TEL : 0755-27129737 FAX : 0755-29940187

-TOLERANCES- UNLESS OTHERWISE SPECIFIED 公差参数表					TITLE: 1.00mm Pitch 产品名称: Crimp Terminal			
X.X	±0.30	X.X°	±3°	APPD: 核准: 谢亮	PART NO: 产品编号: HDGC1003-T			
X.XX	±0.30	X.XX°	±2°	CHECK: 校对: 王建业	DATE	SCALE	UNIT	CODE NUMBER
X.XXX	±0.10	X.XXX°	±1°	DRAW: 绘图: 黄艳兰	2012-12-10	1:1	mm	A008

修订 REV	标记 MARK	修改摘要 REVISION DESCRIPTION	签名 SIGNATURE	日期 DATE
AO		NEW RELEASE	黄艳兰	2012-12-10



SPECIFICATIONS:

Current Rating: 1A AC,DC
Voltage Rating: 100V AC,DC
Temperature Range: -40°C ~ +105°C
Contact Resistance: 30MΩ Max.
Insulation Resistance: 500MΩ Min.
Withstanding Voltage: 300V AC/minute
Pin Material: Phosphor Bronze/Tin-plated
Material: PBT,UL94V-0(Beige)

Ordering Information & Dimensions

Circuits	Dimensions(mm)			Circuits	Dimensions(mm)		
	A	B	C		A	B	C
2x5P	4.00	5.30	7.20	2x20P	19.00	20.30	22.20
2x10P	9.00	10.30	12.20	2x25P	24.00	25.30	27.20
2x15P	14.00	15.30	17.20				

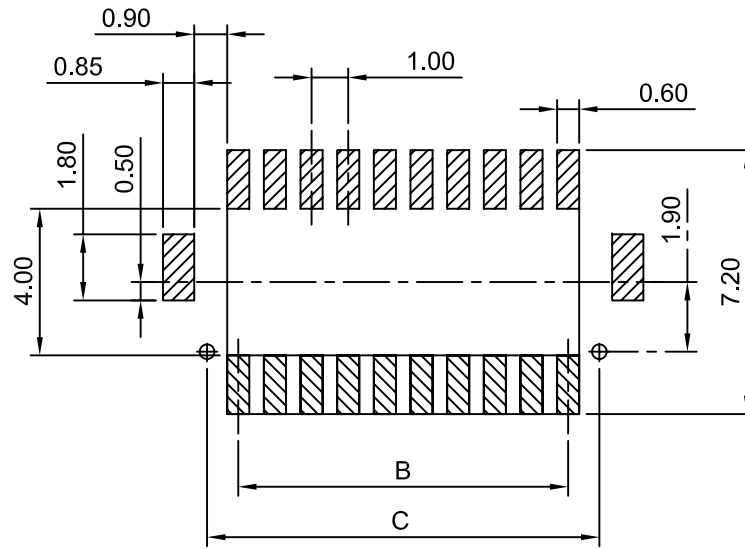
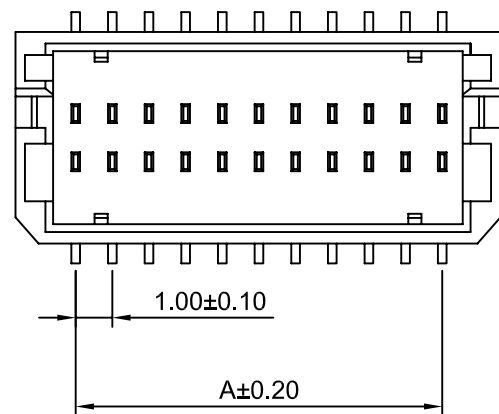


深圳市华德共创科技有限公司

Shenzhen Huade co-create Technology Co.,LTD
TEL : 0755-27129737 FAX : 0755-29940187

-TOLERANCES- UNLESS OTHERWISE SPECIFIED 公差参数表						TITLE: 1.00mm Pitch 产品名称: Housing			
X.X	±0.30	X.X°	±3°	APPD: 核准:	谢亮	PART NO: 产品编号: HDGC1003H-2xXP			
X.XX	±0.30	X.XX°	±2°	CHECK: 校对:	王建业	DATE	SCALE	UNIT	CODE NUMBER
X.XXX	±0.10	X.XXX°	±1°	DRAW: 绘图:	黄艳兰	2012-12-10	5:1	mm	A008

修订 REV	标记 MARK	修改摘要 REVISION DESCRIPTION	签名 SIGNATURE	日期 DATE
AO		NEW RELEASE	黄艳兰	2012-12-10



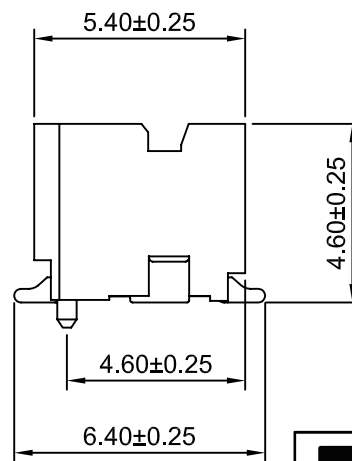
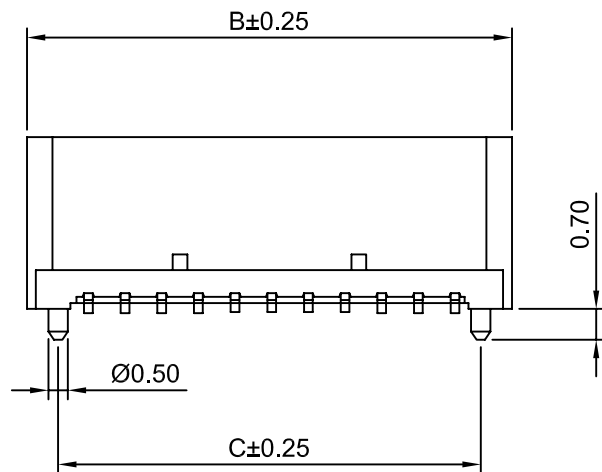
PCB LAYOUT

SPECIFICATIONS:

Current Rating: 1A AC,DC
Voltage Rating: 100V AC,DC
Temperature Range: $-40^{\circ}\text{C} \sim +85^{\circ}\text{C}$
Contact Resistance: 30M Ω Max.
Insulation Resistance: 500M Ω Min.
Withstanding Voltage: 300V AC/minute
Pin Material: Phosphor Bronze/Tin-plated
Material: PBT,UL94V-0(Beige)

Ordering Information & Dimensions

Circuits	Dimensions(mm)			Circuits	Dimensions(mm)		
	A	B	C		A	B	C
2x5P	4.00	7.30	5.70	2x20P	19.00	22.30	20.70
2x10P	9.00	12.30	10.70	2x25P	24.00	27.30	25.70
2x15P	14.00	17.30	15.70				



深圳市华德共创科技有限公司

Shenzhen Huade co-create Technology Co.,LTD

TEL : 0755-27129737 FAX : 0755-29940187

-TOLERANCES- UNLESS OTHERWISE SPECIFIED 公差参数表						TITLE: 1.00mm Pitch 产品名称: 180° Wafer			
X.X	± 0.30	X.X°	$\pm 3^{\circ}$	APPD: 核准:	谢亮	PART NO: 产品编号: HDGC1003WV-S-F-2xXP			
X.XX	± 0.30	X.XX°	$\pm 2^{\circ}$	CHECK: 校对:	王建业	DATE	SCALE	UNIT	CODE NUMBER
X.XXX	± 0.10	X.XXX°	$\pm 1^{\circ}$	DRAW: 绘图:	黄艳兰	2012-12-10	1:1	mm	A008