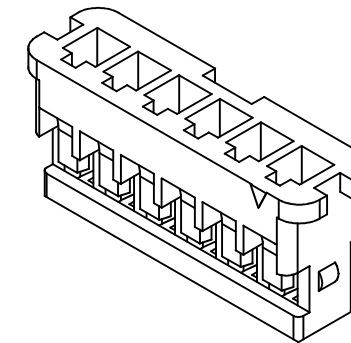
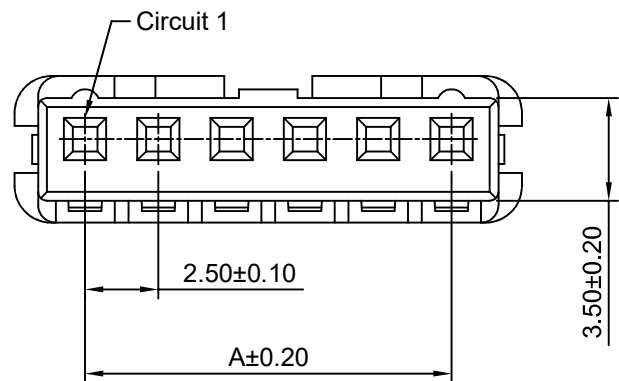


修订 REV	标记 MARK	修改摘要 REVISION DESCRIPTION	签名 SIGNATURE	日期 DATE
AO		NEW RELEASE	WANG	2011-02-10

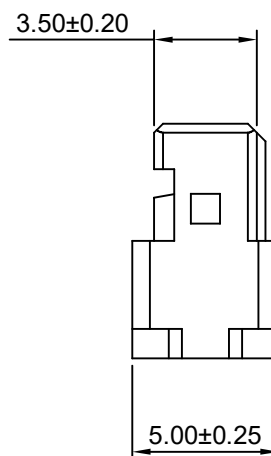
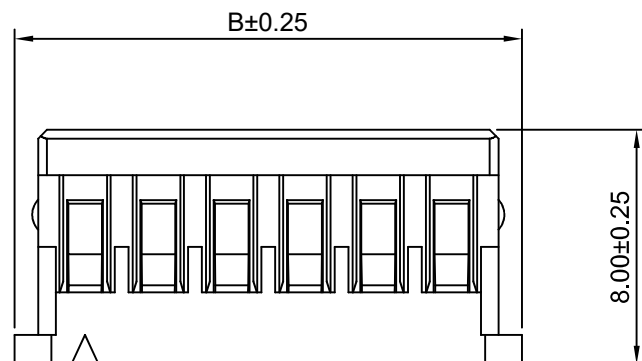


SPECIFICATIONS:

Current Rating: 3A AC,DC
Voltage Rating: 500V AC,DC
Temperature Range: -25°C ~ +85°C
Contact Resistance: 20mΩ Max
Insulation Resistance: 500MΩ Min
Withstanding Voltage: 1000V AC/minute
Material: PBT,UL94V-0(Black)

Ordering Information & Dimensions

Circuits	Dimensions(mm)		Circuits	Dimensions(mm)	
	A	B		A	B
2P	2.50	7.30	9P	20.00	24.80
3P	5.00	9.80	10P	22.50	27.30
4P	7.50	12.30	11P	25.00	29.80
5P	10.00	14.80	12P	27.50	32.30
6P	12.50	17.30	13P	30.00	34.80
7P	15.00	19.80	14P	32.50	37.30
8P	17.50	22.30	15P	35.00	39.80



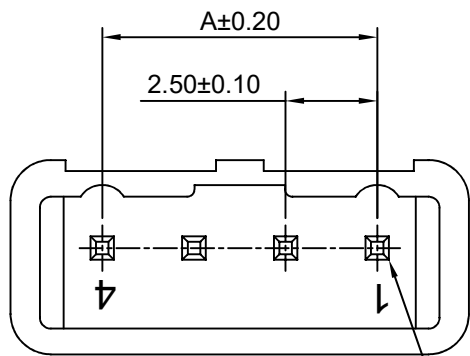
深圳市华德共创科技有限公司

Shenzhen Huade co-create Technology Co.,LTD

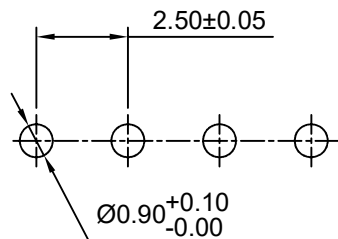
TEL : 0755-27129737 FAX : 0755-29940187

-TOLERANCES- UNLESS OTHERWISE SPECIFIED 公差参数表						TITLE: 产品名称 : 2.50mm Pitch Housing			
X.X	±0.30	X.X°	±3°	APPD: 核准:	XIE	PART NO: 产品编号 : HDGC2511H-XP			
X.XX	±0.30	X.XX°	±2°	CHECK: 校对:	WANG	DATE	SCALE	UNIT	CODE NUMBER
X.XXX	±0.10	X.XXX°	±1°	DRAW: 绘图:	WANG	2011-02-10	4:1	mm	A008

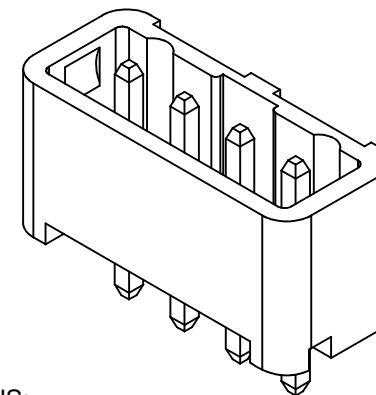
修订 REV	标记 MARK	修改摘要 REVISION DESCRIPTION	签名 SIGNATURE	日期 DATE
AO		NEW RELEASE	WANG	2011-02-10



Circuit 1



P.C.B LAYOUT

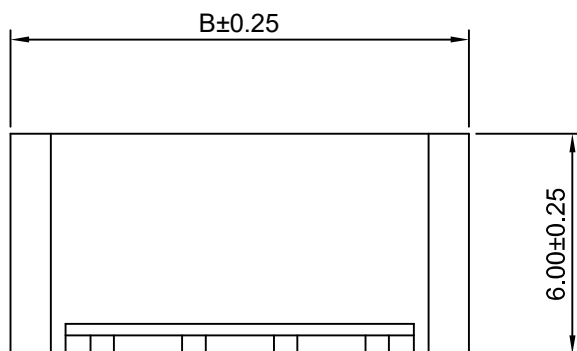


SPECIFICATIONS:

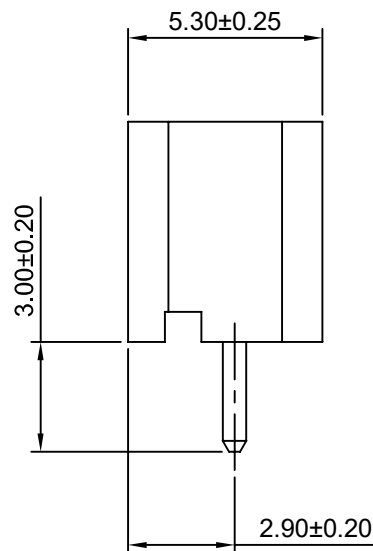
Current Rating: 3A AC,DC
Voltage Rating: 500V AC,DC
Temperature Range: -25°C ~ +85°C
Contact Resistance: 20mΩ Max
Insulation Resistance: 500MΩ Min
Withstanding Voltage: 1000V AC/minute
PIN Material: Brass/Tin over Nickel
Material: PBT, UL94V-0(Black)

Ordering Information & Dimensions

Circuits	Dimensions(mm)		Circuits	Dimensions(mm)	
	A	B		A	B
2P	2.50	7.50	9P	20.00	25.00
3P	5.00	10.00	10P	22.50	27.50
4P	7.50	12.50	11P	25.00	30.00
5P	10.00	15.00	12P	27.50	32.50
6P	12.50	17.50	13P	30.00	35.00
7P	15.00	20.00	14P	32.50	37.50
8P	17.50	22.50	15P	35.00	40.00



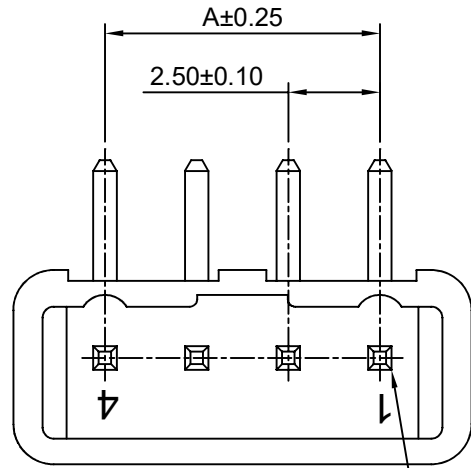
PIN 0.64 SQ



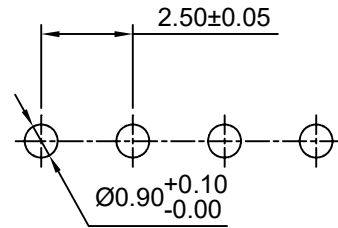
HDGC 深圳市华德共创科技有限公司
Shenzhen Huade co-create Technology Co.,LTD
TEL : 0755-27129737 FAX : 0755-29940187

-TOLERANCES- UNLESS OTHERWISE SPECIFIED 公差参数表						TITLE: 2.50mm Pitch 产品名称: 180° Wafer			
X.X	±0.30	X.X°	±3°	APPD: 核准:	XIE	PART NO: 产品编号: HDGC2511WV-XP			
X.XX	±0.30	X.XX°	±2°	CHECK: 校对:	WANG	DATE	SCALE	UNIT	CODE NUMBER
X.XXX	±0.10	X.XXX°	±1°	DRAW: 绘图:	WANG	2011-02-10	5:1	mm	A008

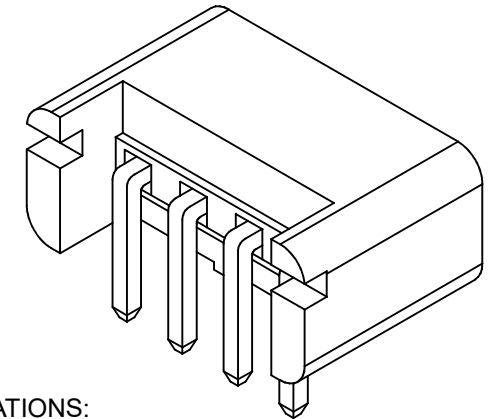
修订 REV	标记 MARK	修改摘要 REVISION DESCRIPTION	签名 SIGNATURE	日期 DATE
AO		NEW RELEASE	WANG	2011-02-10



Circuit 1



P.C.B LAYOUT

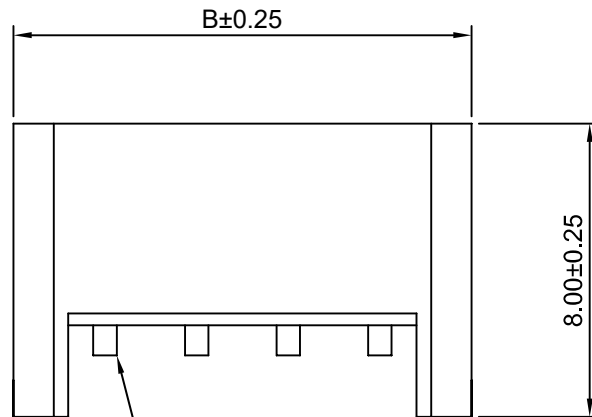


SPECIFICATIONS:

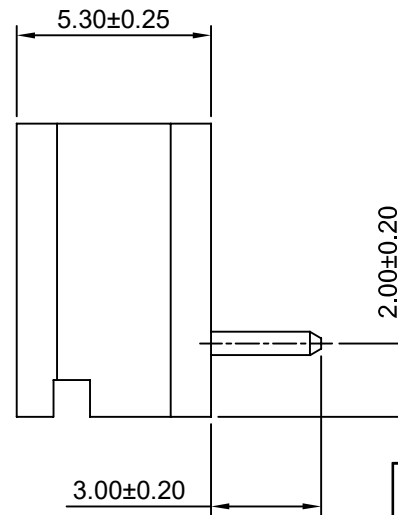
Current Rating: 3A AC,DC
Voltage Rating: 500V AC,DC
Temperature Range: -25°C ~ +85°C
Contact Resistance: 20mΩ Max
Insulation Resistance: 500MΩ Min
Withstanding Voltage: 1000V AC/minute
PIN Material: Brass/Tin over Nickel
Material: PBT, UL94V-0(Black)

Ordering Information & Dimensions

Circuits	Dimensions(mm)		Circuits	Dimensions(mm)	
	A	B		A	B
2P	2.50	7.50	9P	20.00	25.00
3P	5.00	10.00	10P	22.50	27.50
4P	7.50	12.50	11P	25.00	30.00
5P	10.00	15.00	12P	27.50	32.50
6P	12.50	17.50	13P	30.00	35.00
7P	15.00	20.00	14P	32.50	37.50
8P	17.50	22.50	15P	35.00	40.00



PIN 0.64 SQ



2.00±0.20

3.00±0.20



深圳市华德共创科技有限公司

Shenzhen Huade co-create Technology Co.,LTD
TEL : 0755-27129737 FAX : 0755-29940187

-TOLERANCES- UNLESS OTHERWISE SPECIFIED 公差参数表				 		TITLE: 产品名称: 2.50mm Pitch 90° Wafer			
X.X	±0.30	X.X°	±3°	APPD: 核准:	XIE	PART NO: 产品编号: HDGC2511WR-XP			
X.XX	±0.30	X.XX°	±2°	CHECK: 校对:	WANG	DATE	SCALE	UNIT	CODE NUMBER
X.XXX	±0.10	X.XXX°	±1°	DRAW: 绘图:	WANG	2011-02-10	5:1	mm	A008