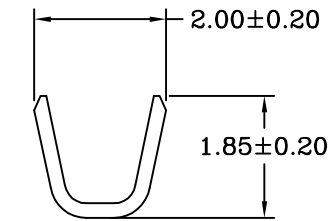
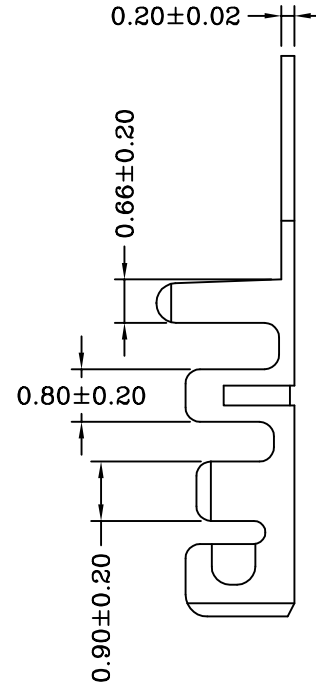
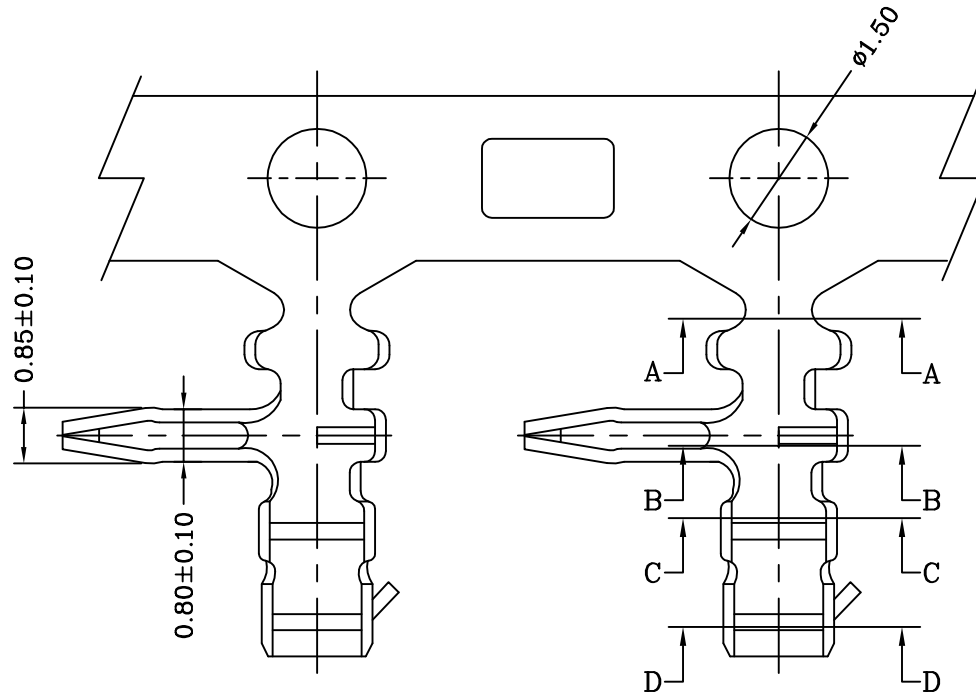
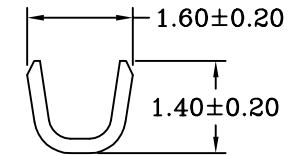


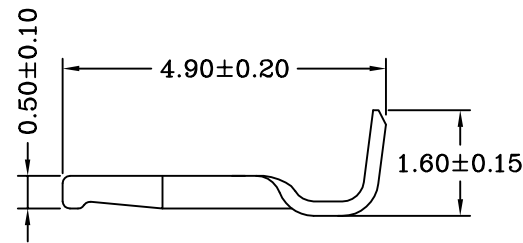
| 修订 REV | 标记 MARK | 修改摘要 REVISION DESCRIPTION | 签名 SIGNATURE | 日期 DATE |
|-----------|------------|------------------------------|-----------------|------------|
| AO | | NEW RELEASE | WANG | 2016-03-12 |



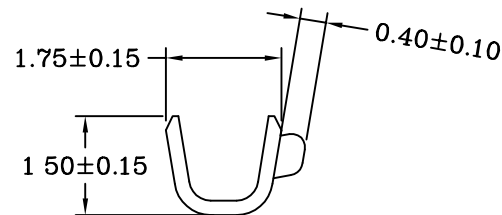
Section A-A



Section C-C



Section B-B



Section D-D

Ordering information & Specifications

Unit:mm

| Part No | Wire Range | Insultion O.D. | Material | Finish | Qty/reel |
|-------------|------------|----------------|-----------------|------------------|------------|
| HDGC2016-TB | AWG#24-#30 | 1.30mm(max) | Brass | Tin over Nickel | 10,000 PCS |
| HDGC2016-TP | AWG#24-#30 | 1.30mm(max) | Phosphor Bronze | Tin over Nickel | 10,000 PCS |
| HDGC2016-GB | AWG#24-#30 | 1.30mm(max) | Brass | Gold over Nickel | 10,000 PCS |
| HDGC2016-GP | AWG#24-#30 | 1.30mm(max) | Phosphor Bronze | Gold over Nickel | 10,000 PCS |

Optional Gold plating available but MOQ requested



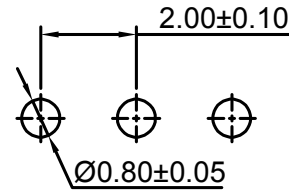
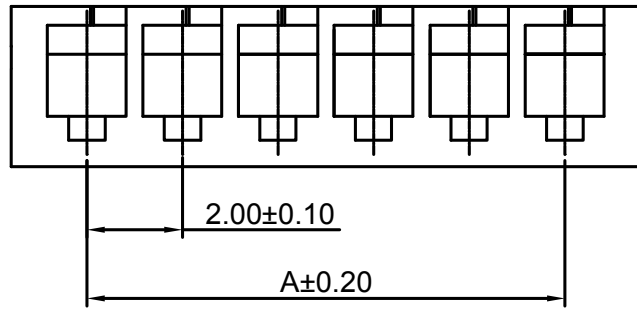
深圳市华德共创科技有限公司

Shenzhen Huade co-create Technology Co.,LTD

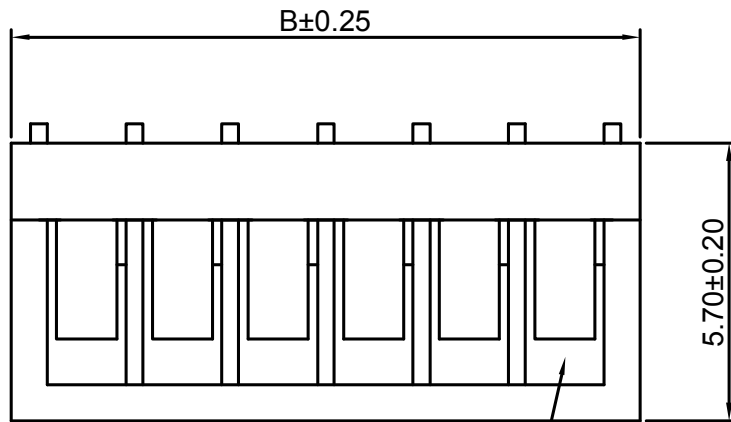
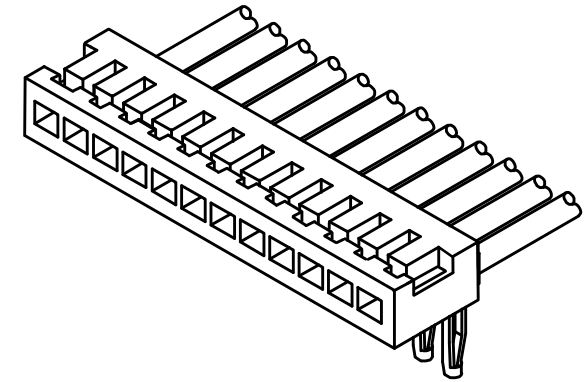
TEL : 0755-27129737 FAX : 0755-29940187

| -TOLERANCES- UNLESS OTHERWISE SPECIFIED 公差参数表 | | | | | | TITLE: 2.00mm Pitch 产品名称: Crimp Terminal | | | |
|---|-------|--------|-----|---------------|------|---|-------|------|-------------|
| X.X | ±0.30 | X.X° | ±3° | APPD: 核准: | XIE | PART NO: 产品编号: HDGC2016-T | | | |
| X.XX | ±0.30 | X.XX° | ±2° | CHECK: 校对: | WANG | DATE | SCALE | UNIT | CODE NUMBER |
| X.XXX | ±0.10 | X.XXX° | ±1° | DRAW: 绘图: | WANG | 2016-03-12 | 8:1 | mm | A001 |

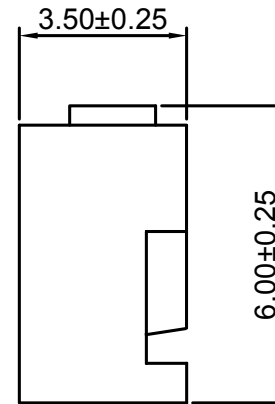
| 修订 REV | 标记 MARK | 修改摘要 REVISION DESCRIPTION | 签名 SIGNATURE | 日期 DATE |
|-----------|------------|------------------------------|-----------------|------------|
| AO | | NEW RELEASE | WANG | 2016-03-12 |



P.C.B LAYOUT



Circuit 1



Ordering Information & Dimensions

| Circuits | Dimensions(mm) | | Circuits | Dimensions(mm) | |
|----------|----------------|-------|----------|----------------|-------|
| | A | B | | A | B |
| 2P | 2.00 | 4.50 | 10P | 18.00 | 20.50 |
| 3P | 4.00 | 6.50 | 11P | 20.00 | 22.50 |
| 4P | 6.00 | 8.50 | 12P | 22.00 | 24.50 |
| 5P | 8.00 | 10.50 | 13P | 24.00 | 26.50 |
| 6P | 10.00 | 12.50 | 14P | 26.00 | 28.50 |
| 7P | 12.00 | 14.50 | 15P | 28.00 | 30.50 |
| 8P | 14.00 | 16.50 | 16P | 30.00 | 32.50 |
| 9P | 16.00 | 18.50 | | | |

SPECIFICATIONS:

Current Rating: 2A AC,DC
Voltage Rating: 250V AC,DC
Temperature Range: -25°C ~ +85°C
Contact Resistance: 20mΩ Max.
Insulation Resistance: 1000MΩ Min.
Withstanding Voltage: 800V AC/minute
Material: Nylon 66,UL94V-0(White)



深圳市华德共创科技有限公司

Shenzhen Huade co-create Technology Co.,LTD
TEL : 0755-27129737 FAX : 0755-29940187

| -TOLERANCES- UNLESS OTHERWISE SPECIFIED 公差参数表 | | | | TITLE: 产品名称: 2.00mm Pitch Housing | |
|---|-------|--------------|-------------|--------------------------------------|------|
| X.X | ±0.30 | X.X° | ±3° | APPD: 核准: | XIE |
| X.XX | ±0.30 | X.XX° | ±2° | CHECK: 校对: | WANG |
| X.XXX | ±0.10 | X.XXX° | ±1° | DRAW: 绘图: | WANG |
| PART NO: 产品编号: | | HDGC2016H-XP | | | |
| DATE | SCALE | UNIT | CODE NUMBER | | |
| 2016-03-12 | 8:1 | mm | A008 | | |