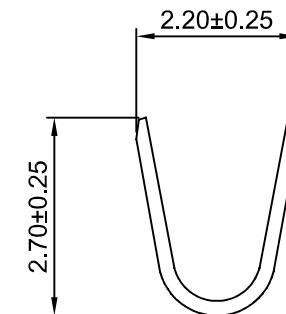
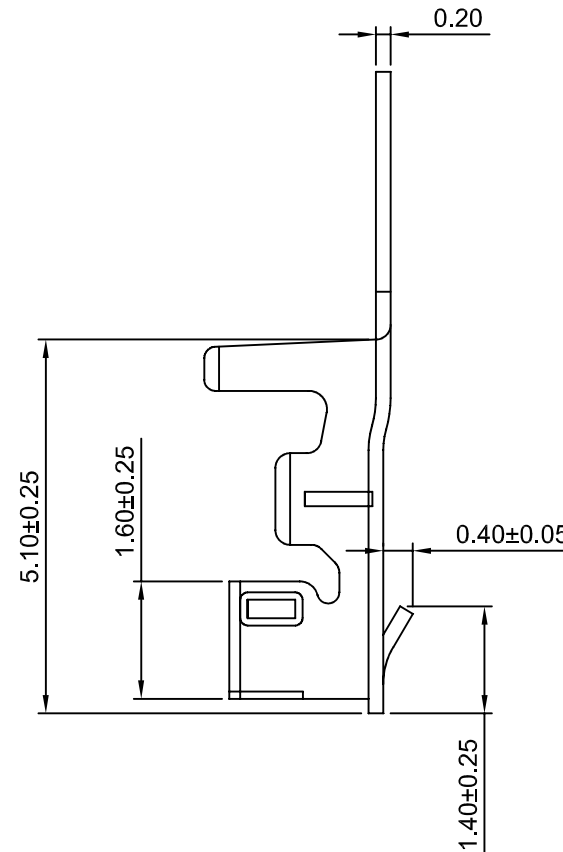
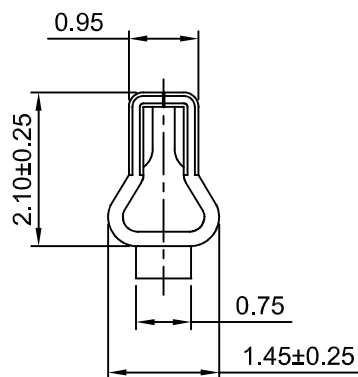
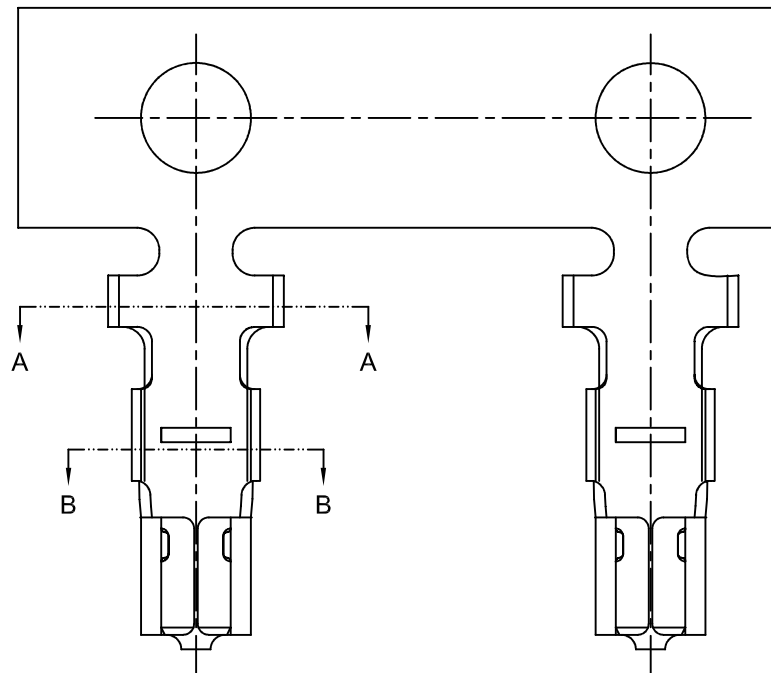
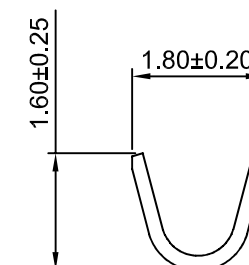


修订 REV	标记 MARK	修改摘要 REVISION DESCRIPTION	签名 SIGNATURE	日期 DATE
AO		NEW RELEASE	WANG	2015-02-10



SEC:A-A



SEC:B-B

Ordering information & Specifications

Unit:mm

Part No	Wire Range	Insultion O.D.	Material	Finish	Qty/reel
HDGC2002-TP	AWG#24-#28	1.50mm(max)	Phosphor Bronze	Tin over Nickel	10,000 PCS
HDGC2002-GP	AWG#24-#28	1.50mm(max)	Phosphor Bronze	Gold over Nickel	10,000 PCS

Optional Gold plating available but MOQ requested



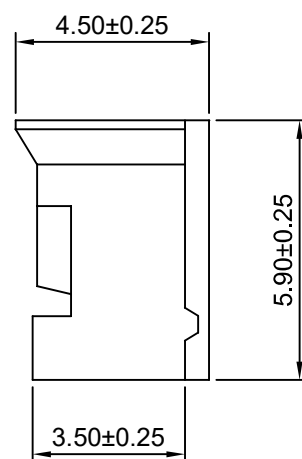
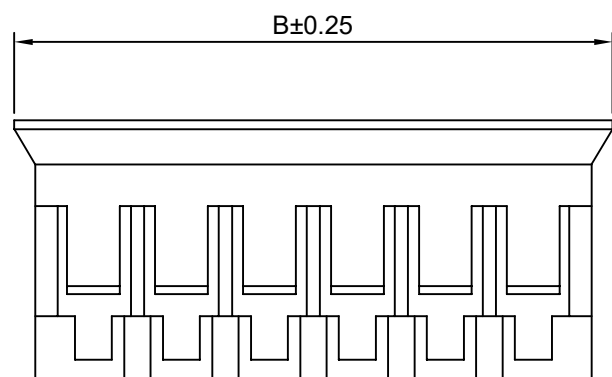
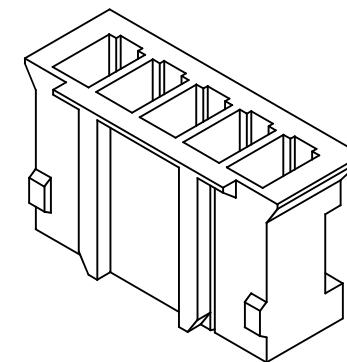
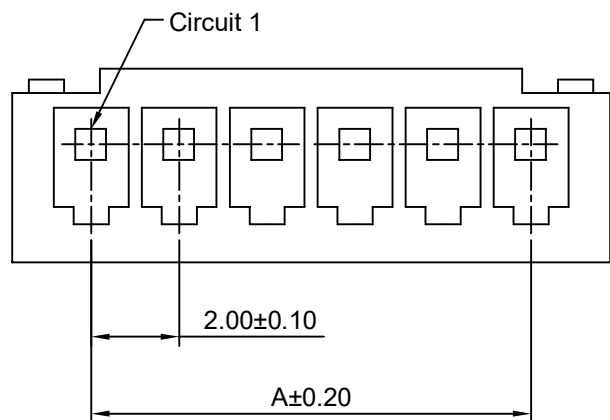
深圳市华德共创科技有限公司

Shenzhen Huade co-create Technology Co.,LTD

TEL : 0755-27129737 FAX : 0755-29940187

-TOLERANCES- UNLESS OTHERWISE SPECIFIED 公差参数表						TITLE: 2.00mm Pitch 产品名称: Crimp Terminal			
X.X	±0.30	X.X°	±3°	APPD: 核准:	XIE	PART NO: 产品编号: HDGC2002-T			
X.XX	±0.30	X.XX°	±2°	CHECK: 校对:	WANG	DATE	SCALE	UNIT	CODE NUMBER
X.XXX	±0.10	X.XXX°	±1°	DRAW: 绘图:	WANG	2015-02-10	10:1	mm	A001

修订 REV	标记 MARK	修改摘要 REVISION DESCRIPTION	签名 SIGNATURE	日期 DATE
AO		NEW RELEASE	WANG	2015-02-10



Ordering Information & Dimensions

Circuits	Dimensions(mm)		Circuits	Dimensions(mm)	
	A	B		A	B
2P	2.00	5.60	9P	16.00	19.60
3P	4.00	7.60	10P	18.00	21.60
4P	6.00	9.60	11P	20.00	23.60
5P	8.00	11.60	12P	22.00	25.60
6P	10.00	13.60	13P	24.00	27.60
7P	12.00	15.60	14P	26.00	29.60
8P	14.00	17.60	15P	28.00	31.60

SPECIFICATIONS:

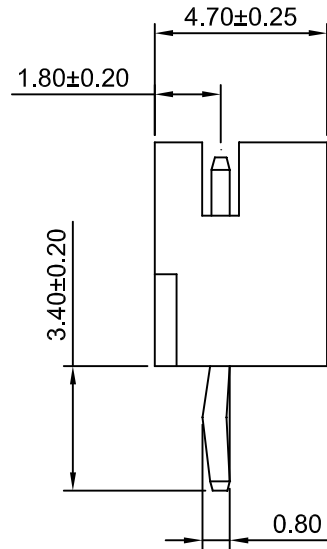
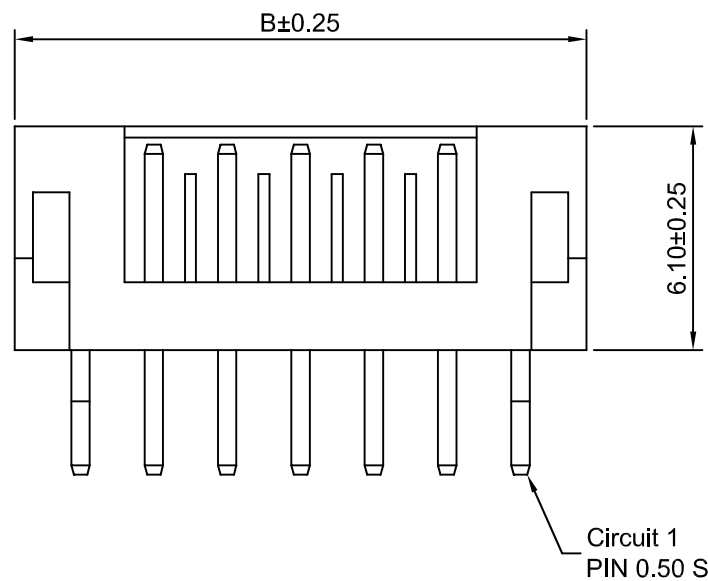
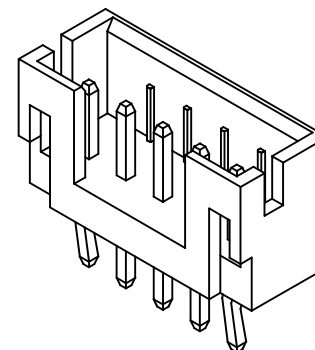
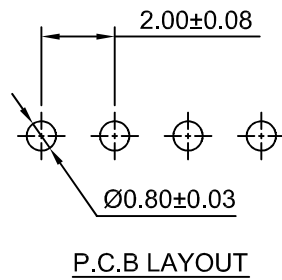
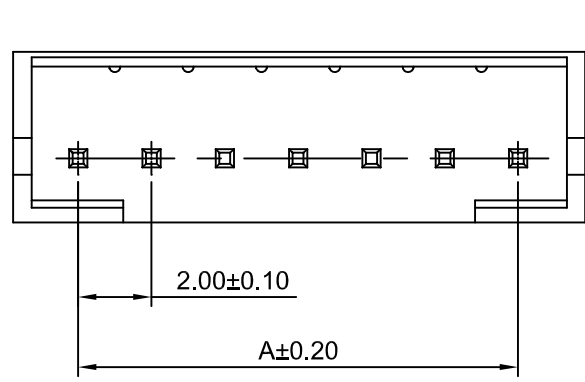
Current Rating: 3A AC,DC
Voltage Rating: 300V AC,DC
Temperature Range: -25°C ~ +85°C
Contact Resistance: 20mΩ Max
Insulation Resistance: 100MΩ Min
Withstanding Voltage: 1000V AC/minute
Material: Nylon 66,UL94V-0(Brown)
Pantone Color: 153C~154C



深圳市华德共创科技有限公司
Shenzhen Huade co-create Technology Co.,LTD
TEL : 0755-27129737 FAX : 0755-29940187

-TOLERANCES- UNLESS OTHERWISE SPECIFIED 公差参数表				 	TITLE: 产品名称: 2.00mm Pitch Housing				
X.X	±0.30	X.X°	±3°	APPD: 核准:	XIE				
X.XX	±0.30	X.XX°	±2°	CHECK: 校对:	WANG	DATE	SCALE	UNIT	CODE NUMBER
X.XXX	±0.10	X.XXX°	±1°	DRAW: 绘图:	WANG	2015-02-10	6:1	mm	A001

修订 REV	标记 MARK	修改摘要 REVISION DESCRIPTION	签名 SIGNATURE	日期 DATE
AO		NEW RELEASE	WANG	2015-02-10



Circuit 1
PIN 0.50 SQ

Ordering Information & Dimensions

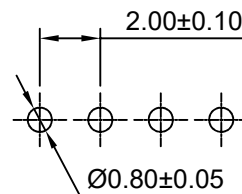
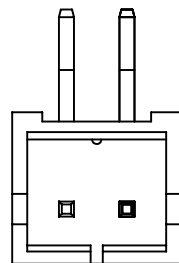
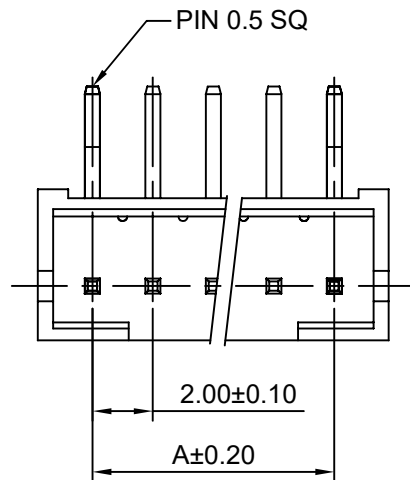
Circuits	Dimensions(mm)		Circuits	Dimensions(mm)	
	A	B		A	B
2P	2.00	6.00	9P	16.00	20.00
3P	4.00	8.00	10P	18.00	22.00
4P	6.00	10.00	11P	20.00	24.00
5P	8.00	12.00	12P	22.00	26.00
6P	10.00	14.00	13P	24.00	28.00
7P	12.00	16.00	14P	26.00	30.00
8P	14.00	18.00	15P	28.00	32.00

SPECIFICATIONS:
 Current Rating: 3A AC,DC
 Voltage Rating: 300V AC,DC
 Temperature Range: -25°C ~ +85°C
 Contact Resistance: 20mΩ Max
 Insulation Resistance: 100MΩ Min
 Withstanding Voltage: 1000V AC/minute
 Pin Material: Brass/Tin over Nickel
 Material: Nylon 66,UL94V-0(Brown)
 Pantone Color: 153C~154C

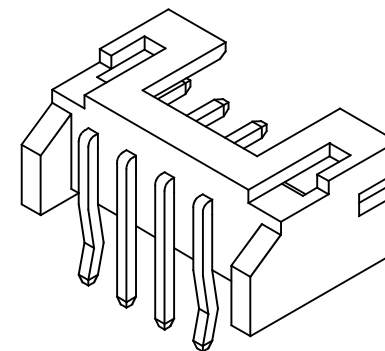
深圳市华德共创科技有限公司
 Shenzhen Huade co-create Technology Co.,LTD
 TEL : 0755-27129737 FAX : 0755-29940187

-TOLERANCES- UNLESS OTHERWISE SPECIFIED 公差参数表					TITLE: 2.00mm Pitch 产品名称: 180° Wafer				
X.X	±0.30	X.X°	±3°	APPD: 核准:	XIE				
X.XX	±0.30	X.XX°	±2°	CHECK: 校对:	WANG	DATE	SCALE	UNIT	CODE NUMBER
X.XXX	±0.10	X.XXX°	±1°	DRAW: 绘图:	WANG	2015-02-10	5:1	mm	A001

修订 REV	标记 MARK	修改摘要 REVISION DESCRIPTION	签名 SIGNATURE	日期 DATE
AO		NEW RELEASE	WANG	2015-02-10

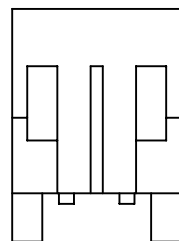


P.C.B LAYOUT

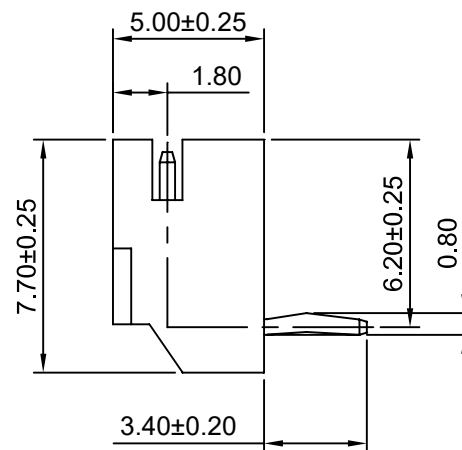


Circuit 1

3P~15P



2P



Ordering Information & Dimensions

Circuits	Dimensions(mm)		Circuits	Dimensions(mm)	
	A	B		A	B
2P	2.00	6.00	9P	16.00	20.00
3P	4.00	8.00	10P	18.00	22.00
4P	6.00	10.00	11P	20.00	24.00
5P	8.00	12.00	12P	22.00	26.00
6P	10.00	14.00	13P	24.00	28.00
7P	12.00	16.00	14P	26.00	30.00
8P	14.00	18.00	15P	28.00	32.00

SPECIFICATIONS:

Current Rating: 3A AC,DC
Voltage Rating: 300V AC,DC
Temperature Range: -25°C ~ +85°C
Contact Resistance: 20mΩ Max
Insulation Resistance: 100MΩ Min
Withstanding Voltage: 1000V AC/minute
Pin Material: Brass/Tin-plated
Material: Nylon 66,UL94V-0(Brown)



深圳市华德共创科技有限公司

Shenzhen Huade co-create Technology Co.,LTD
TEL : 0755-27129737 FAX : 0755-29940187

-TOLERANCES- UNLESS OTHERWISE SPECIFIED 公差参数表				TITLE: 产品名称: 2.00mm Pitch 180° Wafer	
X.X	±0.30	X.X°	±3°	APPD: 核准:	XIE
X.XX	±0.30	X.XX°	±2°	CHECK: 校对:	WANG
X.XXX	±0.10	X.XXX°	±1°	DRAW: 绘图:	WANG
PART NO: 产品编号:		HDGC2002WR-XP			
DATE	SCALE	UNIT	CODE NUMBER		
2015-02-10	4:1	mm	A001		