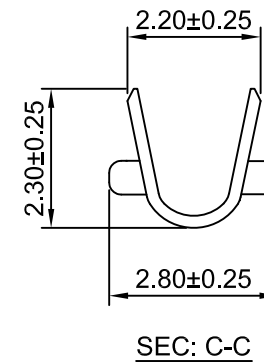
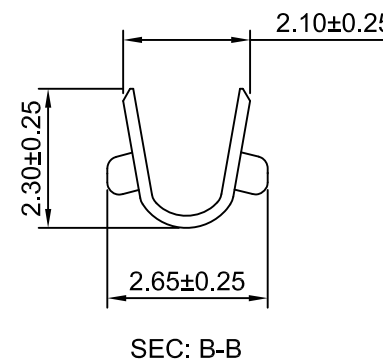
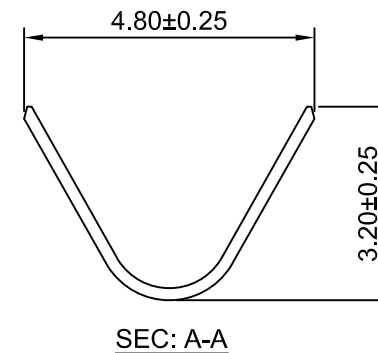
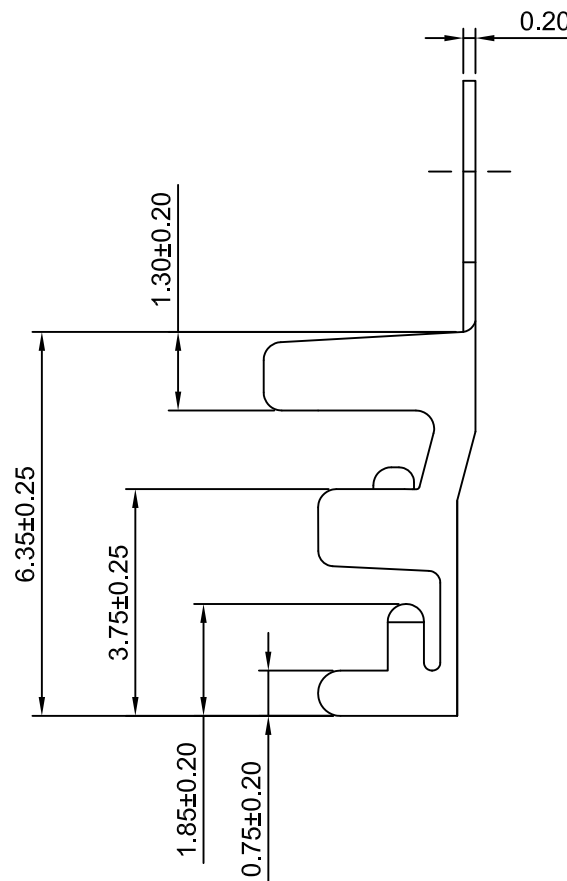
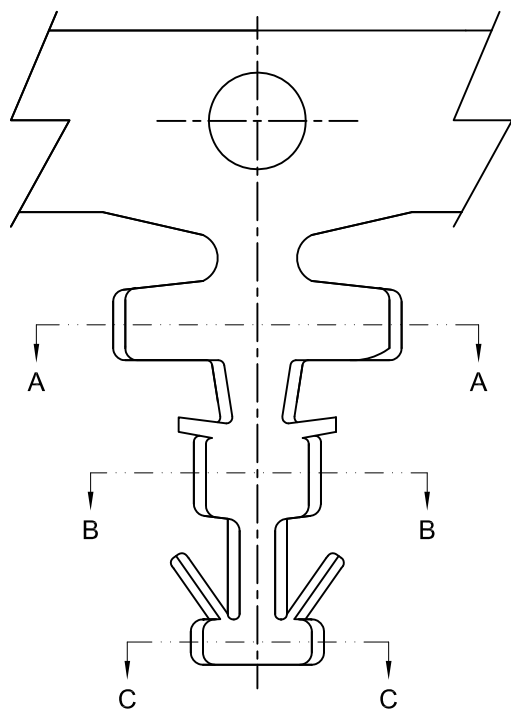


修订 REV	标记 MARK	修改摘要 REVISION DESCRIPTION	签名 SIGNATURE	日期 DATE
AO		NEW RELEASE	WANG	2015-06-10



Ordering information & Specifications

Part No	Wire Range	Insultion O.D.	Material	Finish	PCB Thickness	PCB Hole Diameter	Qty/reel
HDGC1803-TB	AWG#18-#22	2.10mm(max)	Brass	TIn over Nickel	1.60mm(Max)	1.80mm	7,000 PCS
HDGC1803-TP	AWG#18-#22	2.10mm(max)	Phosphor Bronze	Tin over Nickel	1.60mm(Max)	1.80mm	7,000 PCS
HDGC1803-GB	AWG#18-#22	2.10mm(max)	Brass	Gold over Nickel	1.60mm(Max)	1.80mm	7,000 PCS
HDGC1803-GP	AWG#18-#22	2.10mm(max)	Phosphor Bronze	Gold over Nickel	1.60mm(Max)	1.80mm	7,000 PCS

Unit:mm



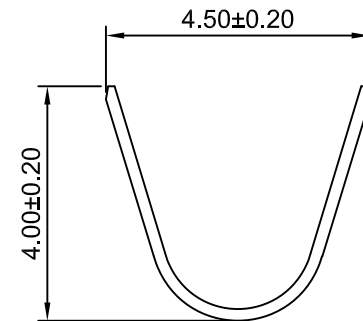
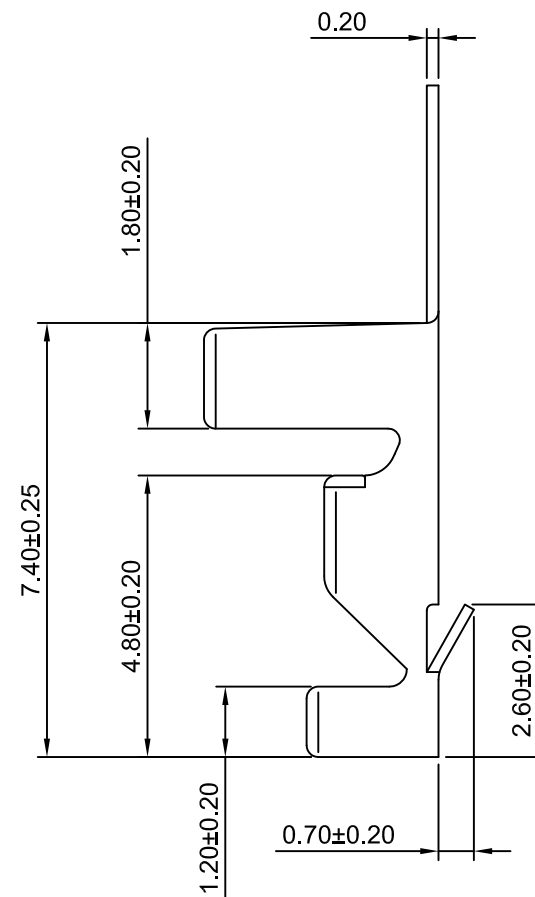
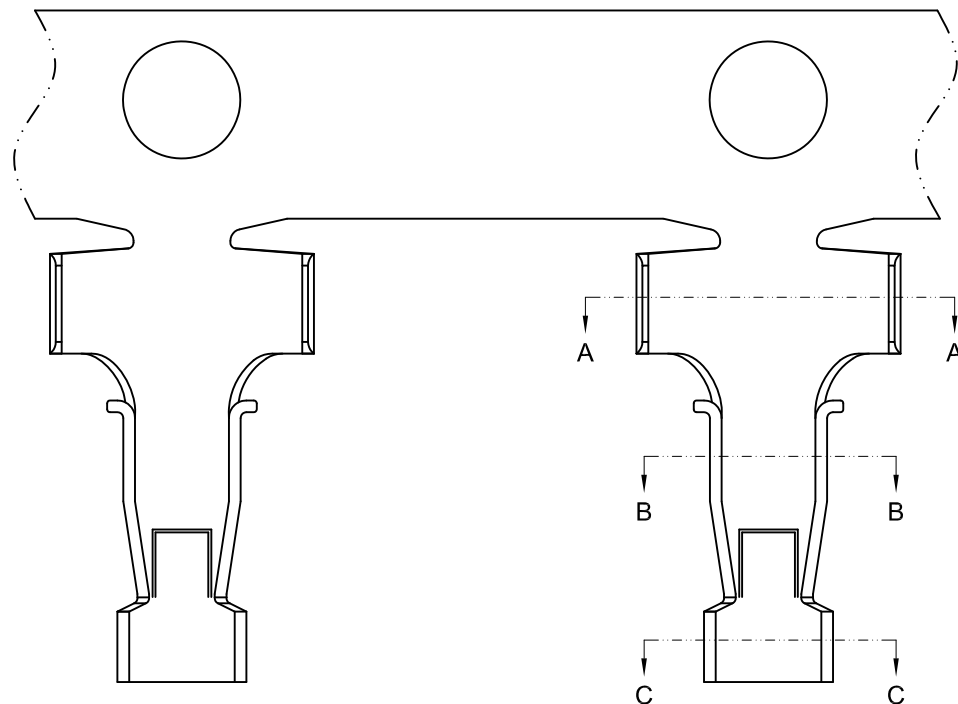
深圳市华德共创科技有限公司

Shenzhen Huade co-create Technology Co.,LTD

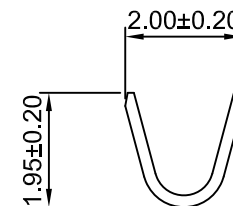
TEL : 0755-27129737 FAX : 0755-29940187

-TOLERANCES- UNLESS OTHERWISE SPECIFIED 公差参数表						TITLE: 1.80mm Pitch 产品名称: Crimp Terminal			
X.X	±0.30	X.X°	±3°	APPD: 核准:	XIE	PART NO: 产品编号: HDGC1803-T			
X.XX	±0.30	X.XX°	±2°	CHECK: 校对:	WANG	DATE	SCALE	UNIT	CODE NUMBER
X.XXX	±0.10	X.XXX°	±1°	DRAW: 绘图:	WANG	2015-06-10	8:1	mm	A008

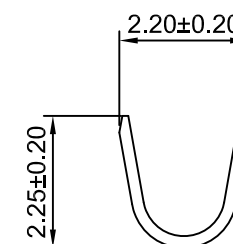
修订 REV	标记 MARK	修改摘要 REVISION DESCRIPTION	签名 SIGNATURE	日期 DATE
AO		NEW RELEASE	WANG	2015-06-10



SEC:A-A



SEC:B-B



SEC:C-C

Ordering information & Specifications

Unit:mm

Part No	Wire Range	Insultion O.D.	Material	Finish	Qty/reel
HDGC1804-TB	AWG#18-#22	3.05mm(max)	Brass	Tin over Nickel	5,000 PCS
HDGC1804-TP	AWG#18-#22	3.05mm(max)	Phosphor Bronze	Tin over Nickel	5,000 PCS
HDGC1804-GB	AWG#18-#22	3.05mm(max)	Brass	Gold over Nickel	5,000 PCS
HDGC1804-GP	AWG#18-#22	3.05mm(max)	Phosphor Bronze	Gold over Nickel	5,000 PCS

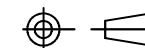


深圳市华德共创科技有限公司

Shenzhen Huade co-create Technology Co.,LTD

TEL : 0755-27129737 FAX : 0755-29940187

-TOLERANCES-
UNLESS OTHERWISE SPECIFIED
公差参数表



TITLE: 1.80mm Pitch
产品名称: Crimp Terminal

X.X ±0.30 X.X° ±3°

APPD: 核准: XIE

PART NO: HDGC1804-T
产品编号:

X.XX ±0.30 X.XX° ±2°

CHECK: 校对: WANG

DATE SCALE UNIT CODE NUMBER

X.XXX ±0.10 X.XXX° ±1°

DRAW: 绘图: WANG

2015-06-10 8:1 mm A008