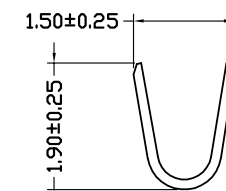
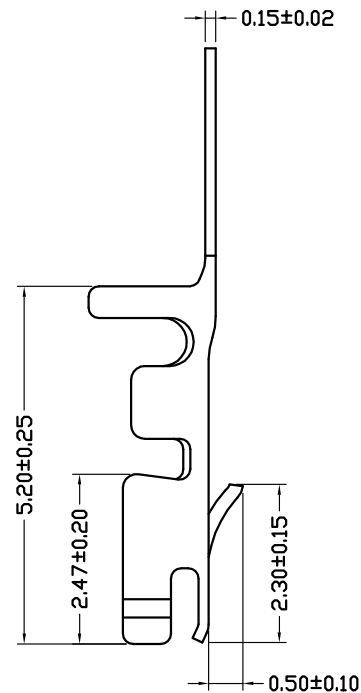
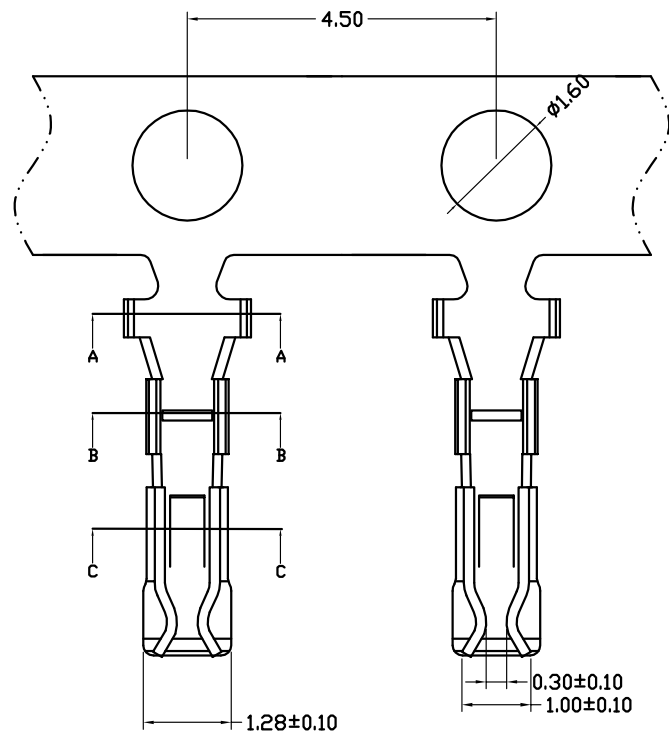
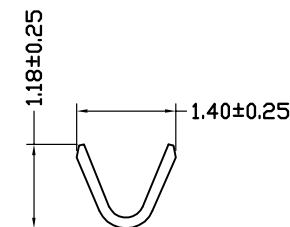


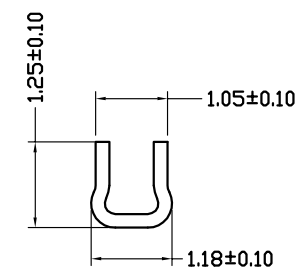
修订 REV	标记 MARK	修改摘要 REVISION DESCRIPTION	签名 SIGNATURE	日期 DATE
AO		NEW RELEASE	WANG	2014-05-16



SECTION A-A



SECTION B-B



SECTION C-C

Ordering information & Specifications

Unit:mm

Part No	Wire Range	Insultion O.D.	Material	Finish	Qty/reel
HDGC1801-TP	AWG#22-#28	1.50mm(max)	Phosphor Bronze	Tin over Nickel	10,000 PCS

Optional Gold plating available but MOQ requested



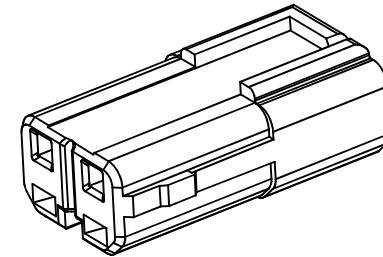
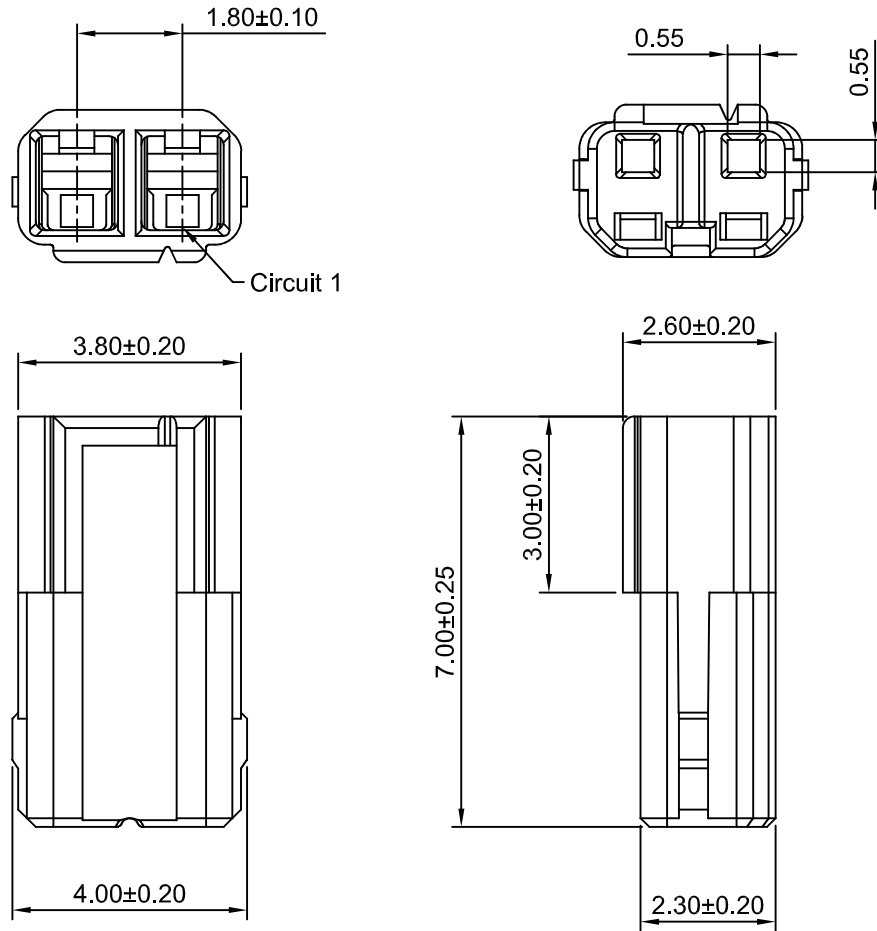
深圳市华德共创科技有限公司

Shenzhen Huade co-create Technology Co.,LTD

TEL : 0755-27129737 FAX : 0755-29940187

-TOLERANCES- OTHERWISE SPECIFIED 公差参数表						TITLE: 1.80mm Pitch 产品名称: Crimp Terminal			
X.X	±0.30	X.X°	±3°	APPD: 核准:	XIE	PART NO: 产品编号: HDGC1801-T			
X.XX	±0.30	X.XX°	±2°	CHECK: 校对:	WANG	DATE	SCALE	UNIT	CODE NUMBER
X.XXX	±0.10	X.XXX°	±1°	DRAW: 绘图:	WANG	2014-05-16	1:1	mm	A001

修订 REV	标记 MARK	修改摘要 REVISION DESCRIPTION	签名 SIGNATURE	日期 DATE
AO		NEW RELEASE	WANG	2015-05-10



SPECIFICATIONS:

Current Rating: 3.2A AC,DC
Voltage Rating: 350V AC,DC
Temperature Range: $-25^{\circ}\text{C} \sim +85^{\circ}\text{C}$
Contact Resistance: 10m Ω Max.
Insulation Resistance: 1000M Ω Min.
Withstanding Voltage: 1700V AC/minute
Material: Nylon 66, UL94V-0 (White)

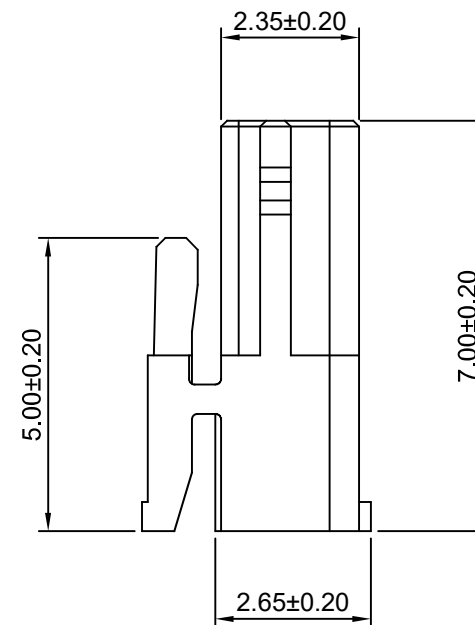
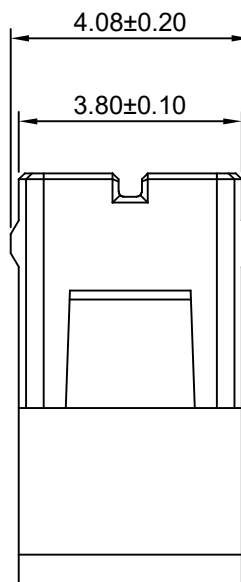
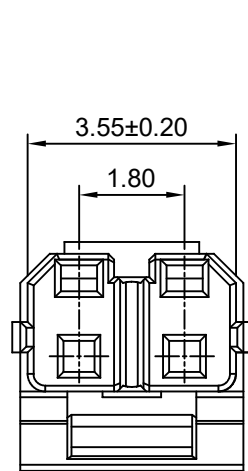


深圳市华德共创科技有限公司

Shenzhen Huade co-create Technology Co.,LTD
TEL : 0755-27129737 FAX : 0755-29940187

-TOLERANCES- UNLESS OTHERWISE SPECIFIED 公差参数表						TITLE: 产品名称 : 1.80mm Pitch Housing			
X.X	± 0.30	X.X $^{\circ}$	$\pm 3^{\circ}$	APPD: 核准:	XIE	PART NO: 产品编号 : HDGC1801H-2P			
X.XX	± 0.30	X.XX $^{\circ}$	$\pm 2^{\circ}$	CHECK: 校对:	WANG	DATE	SCALE	UNIT	CODE NUMBER
X.XXX	± 0.10	X.XXX $^{\circ}$	$\pm 1^{\circ}$	DRAW: 绘图:	WANG	2015-05-10	8:1	mm	A008

修订 REV	标记 MARK	修改摘要 REVISION DESCRIPTION	签名 SIGNATURE	日期 DATE
AO		NEW RELEASE	WANG	2015-05-10



SPECIFICATIONS:
 Current Rating: 2A AC,DC
 Voltage Rating: 125V AC,DC
 Temperature Range: -25°C ~ +85°C
 Contact Resistance: 20mΩ Max.
 Insulation Resistance: 1000M Min.
 Withstanding Voltage: 800V AC/minute
 Material: Nylon 66,UL94V-0 (White)

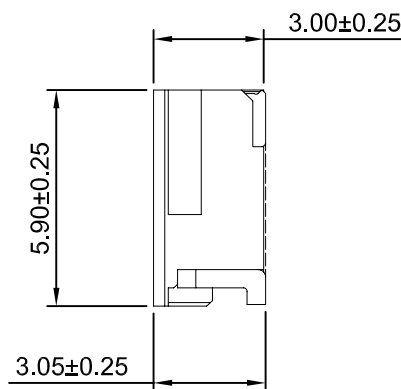
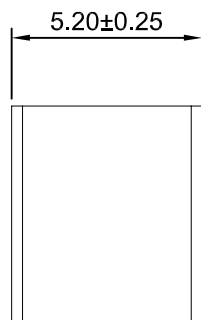
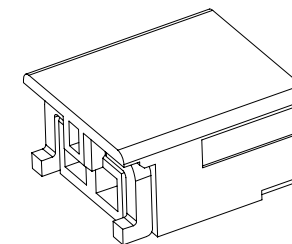
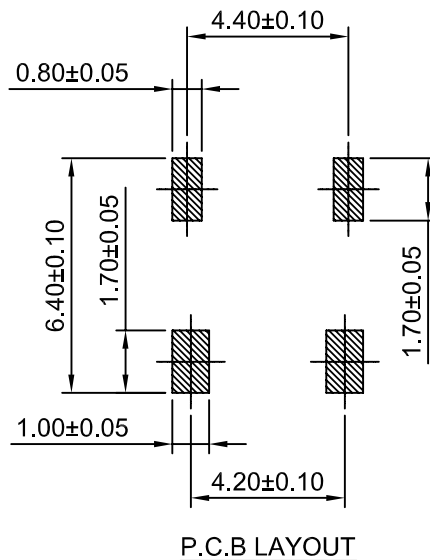
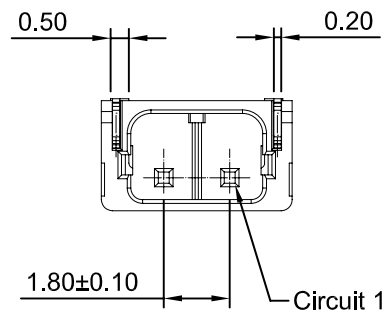


深圳市华德共创科技有限公司

Shenzhen Huade co-create Technology Co.,LTD
 TEL : 0755-27129737 FAX : 0755-29940187

-TOLERANCES- UNLESS OTHERWISE SPECIFIED 公差参数表				 		TITLE: 产品名称 : 1.80mm Pitch Housing			
X.X	±0.30	X.X°	±3°	APPD: 核准 :	XIE	PART NO: 产品编号 : HDGC1801HA-2P			
X.XX	±0.30	X.XX°	±2°	CHECK: 校对 :	WANG	DATE	SCALE	UNIT	CODE NUMBER
X.XXX	±0.10	X.XXX°	±1°	DRAW: 绘图 :	WANG	2015-05-10	1:1	mm	A008

修订 REV	标记 MARK	修改摘要 REVISION DESCRIPTION	签名 SIGNATURE	日期 DATE
AO		NEW RELEASE	WANG	2015-05-10

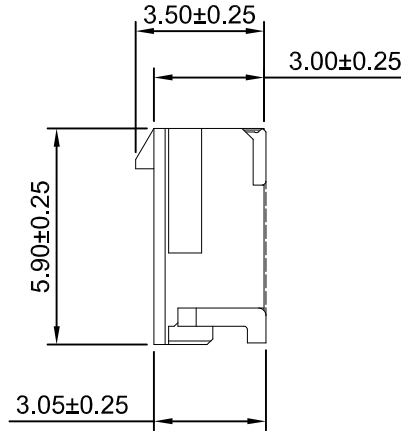
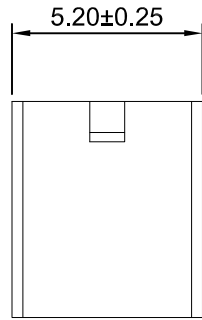
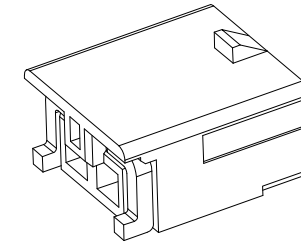
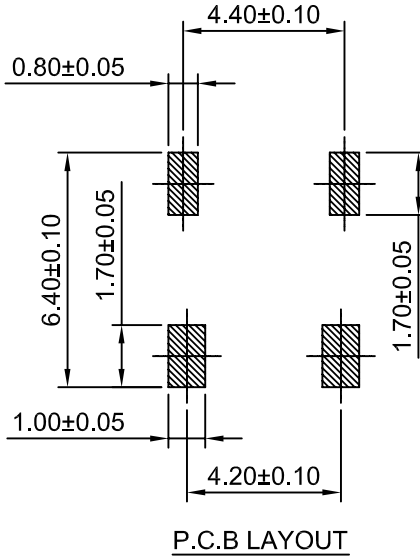
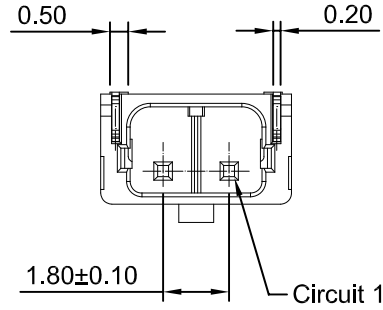


SPECIFICATIONS:

Current Rating: 3.2A AC,DC
Voltage Rating: 350V AC,DC
Temperature Range: -25°C ~ +85°C
Contact Resistance: 10mΩ Max.
Insulation Resistance: 1000MΩ Min.
Withstanding Voltage: 1700V AC/minute
Pin Material: Brass/Tin over Nickel
Material: LCP,UL94V-0(Natural)

		深圳市华德共创科技有限公司 Shenzhen Huade co-create Technology Co.,LTD TEL : 0755-27129737 FAX : 0755-29940187						
-TOLERANCES- UNLESS OTHERWISE SPECIFIED 公差参数表				TITLE: 1.80mm Pitch 产品名称: 90° Wafer				
X.X	±0.30	X.X°	±3°	APPD: 核准: XIE	PART NO: 产品编号: HDGC1801WR-S-2P			
X.XX	±0.30	X.XX°	±2°	CHECK: 校对: WANG	DATE	SCALE	UNIT	CODE NUMBER
X.XXX	±0.10	X.XXX°	±1°	DRAW: 绘图: WANG	2015-05-10	5:1	mm	A008

修订 REV	标记 MARK	修改摘要 REVISION DESCRIPTION	签名 SIGNATURE	日期 DATE
AO		NEW RELEASE	WANG	2015-05-10



SPECIFICATIONS:

Current Rating: 3.2A AC,DC
Voltage Rating: 350V AC,DC
Temperature Range: -25°C ~ +85°C
Contact Resistance: 10mΩ Max.
Insulation Resistance: 1000MΩ Min.
Withstanding Voltage: 1700V AC/minute
Pin Material: Brass/Tin over Nickel
Material: LCP,UL94V-0(Natural)

 深圳市华德共创科技有限公司 Shenzhen Huade co-create Technology Co.,LTD TEL : 0755-27129737 FAX : 0755-29940187				TITLE: 1.80mm Pitch 产品名称: 90° Wafer					
-TOLERANCES- UNLESS OTHERWISE SPECIFIED 公差参数表						PART NO: 产品编号: HDGC1801WRA-S-2P			
X.X	±0.30	X.X°	±3°	APPD: 核准:	XIE	DATE	SCALE	UNIT	CODE NUMBER
X.XX	±0.30	X.XX°	±2°	CHECK: 校对:	WANG	2015-05-10	5:1	mm	A008
X.XXX	±0.10	X.XXX°	±1°	DRAW: 绘图:	WANG				