

修订 REV	标记 MARK	修改摘要 REVISION DESCRIPTION	签名 SIGNATURE	日期 DATE
AO		NEW RELEASE	WANG	2017-12-18

Ordering Information:

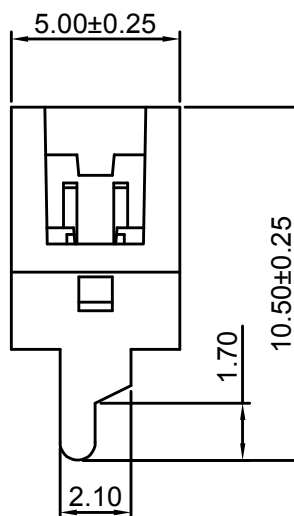
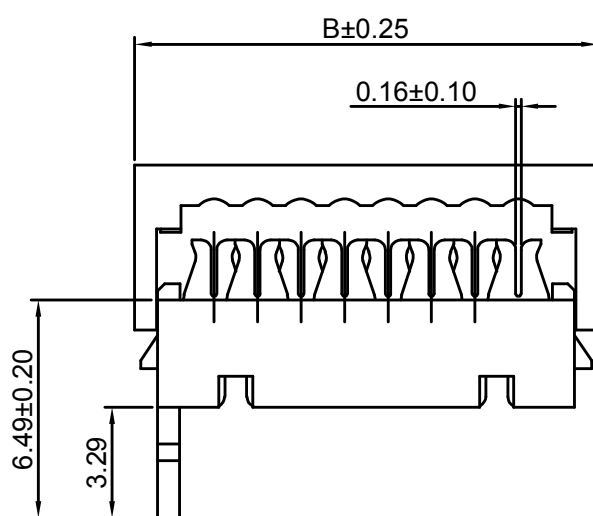
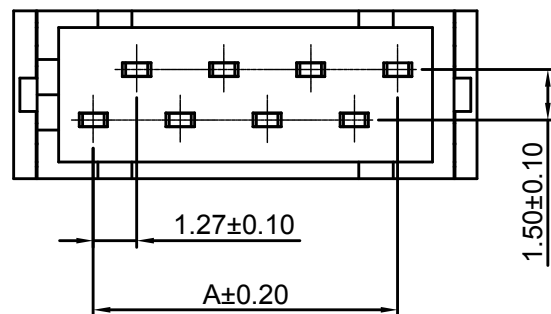
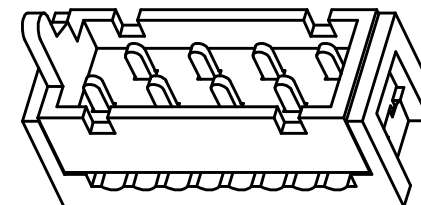
HDGC1277HS-XP - ***
1 2

1.Part No.

2:Material:

(blank):PBT,UL94V-0

GWT:PBT,UL94V-0,GWT 750°C



Ordering Information & Dimensions:

PART NO.	Dimensions	
	A	B
4P	3.81	8.45
6P	6.35	10.99
8P	8.89	13.53
10P	11.43	16.07
12P	13.97	18.61
14P	16.51	21.15
16P	19.05	23.69
18P	21.59	26.23
20P	24.13	28.77
22P	26.67	31.31
24P	29.21	33.85
26P	31.75	36.39

Unit: mm



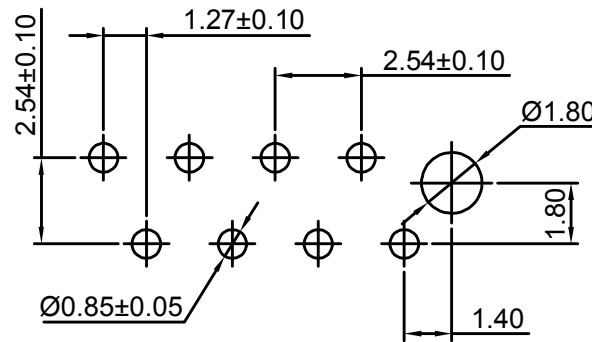
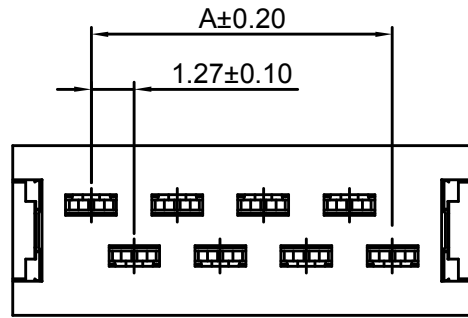
深圳市华德共创科技有限公司

Shenzhen Huade co-create Technology Co.,LTD

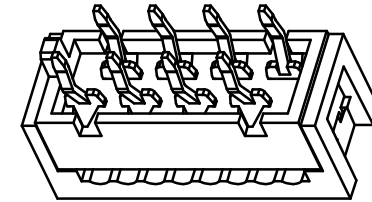
TEL : 0755-27129737 FAX : 0755-29940187

-TOLERANCES- UNLESS OTHERWISE SPECIFIED 公差参数表						TITLE: 1.27mm Pitch 产品名称: IDC Connector			
X.X	±0.30	X.X°	±3°	APPD: 核准:	XIE	PART NO: 产品编号: HDGC1277HS-XP			
X.XX	±0.30	X.XX°	±2°	CHECK: 校对:	WANG	DATE	SCALE	UNIT	CODE NUMBER
X.XXX	±0.10	X.XXX°	±1°	DRAW: 绘图:	WANG	2017-12-18	8:1	mm	A008

修订 REV	标记 MARK	修改摘要 REVISION DESCRIPTION	签名 SIGNATURE	日期 DATE
AO		NEW RELEASE	WANG	2017-12-18



P.C.B LAYOUT



Ordering Information:

HDGC1277HSV-XP - ***
1 2

1.Part No.

2:Material:

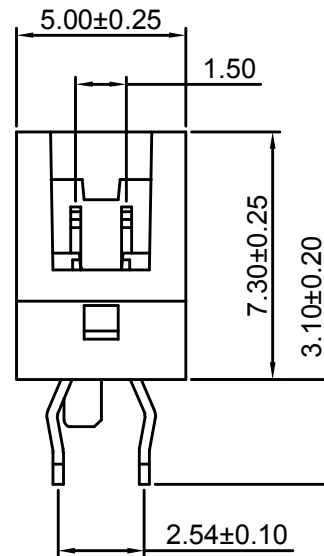
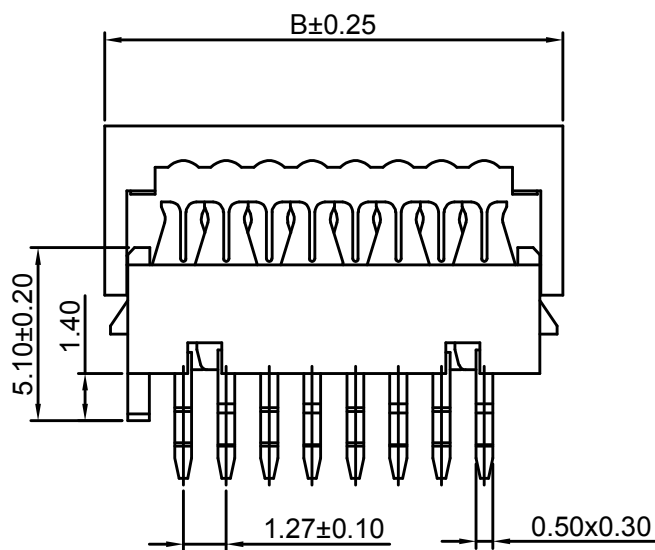
(blank):PBT,UL94V-0

GWT:PBT,UL94V-0,GWT 750°C

Ordering Information & Dimensions:

PART NO.	Dimensions	
	A	B
4P	3.81	8.45
6P	6.35	10.99
8P	8.89	13.53
10P	11.43	16.07
12P	13.97	18.61
14P	16.51	21.15
16P	19.05	23.69
18P	21.59	26.23
20P	24.13	28.77
22P	26.67	31.31
24P	29.21	33.85
26P	31.75	36.39

Unit: mm



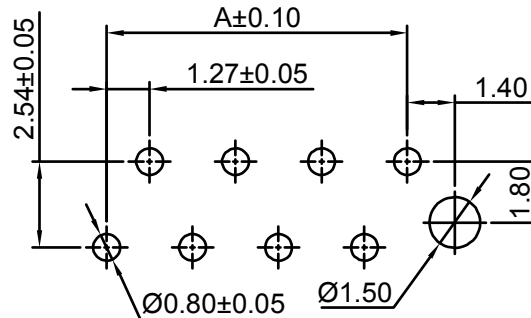
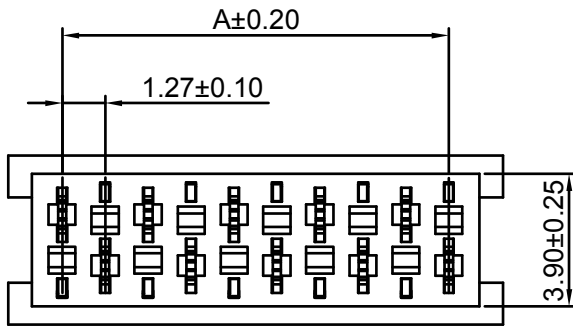
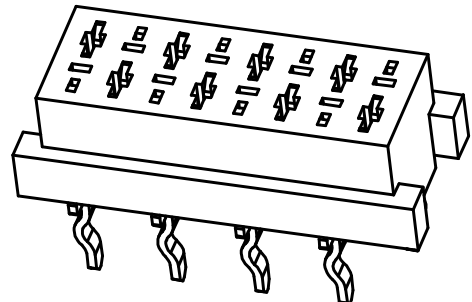
深圳市华德共创科技有限公司

Shenzhen Huade co-create Technology Co.,LTD

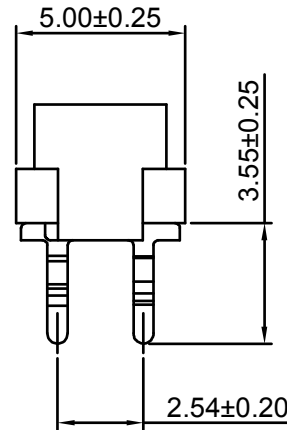
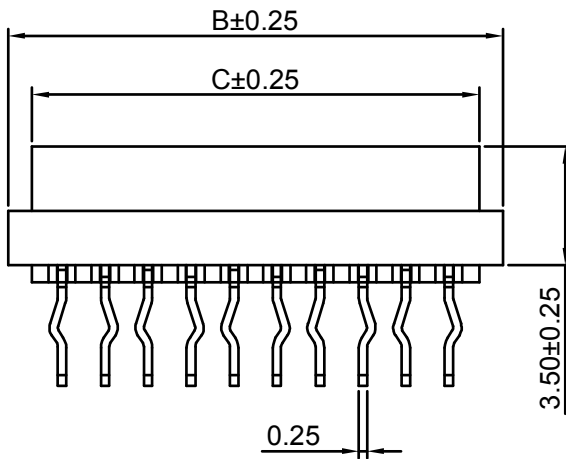
TEL : 0755-27129737 FAX : 0755-29940187

-TOLERANCES- UNLESS OTHERWISE SPECIFIED 公差参数表						TITLE: 1.27mm Pitch 产品名称: IDC Connector			
X.X	±0.30	X.X°	±3°	APPD: 核准:	XIE	PART NO: 产品编号: HDGC1277HSV-XP			
X.XX	±0.30	X.XX°	±2°	CHECK: 校对:	WANG	DATE	SCALE	UNIT	CODE NUMBER
X.XXX	±0.10	X.XXX°	±1°	DRAW: 绘图:	WANG	2017-12-18	8:1	mm	A008

修订 REV	标记 MARK	修改摘要 REVISION DESCRIPTION	签名 SIGNATURE	日期 DATE
AO		NEW RELEASE	WANG	2017-12-18



P.C.B LAYOUT



Ordering Information & Dimensions:

PART NO.	Dimensions		
	A	B	C
4P	3.81	7.00	5.60
6P	6.35	9.54	8.14
8P	8.89	12.08	10.68
10P	11.43	14.62	13.22
12P	13.97	17.16	15.76
14P	16.51	19.70	18.30
16P	19.05	22.24	20.84
18P	21.59	24.78	23.38
20P	24.13	27.32	25.92
22P	26.67	29.86	28.46
24P	29.21	32.40	31.00
26P	31.75	34.94	33.54

Unit: mm

Ordering Information:

HDGC1277HWV-XP - ***
1 2

1.Part No.

2:Material:

(blank):Nylon 9T,UL94V-0

GWT:Nylon 9T,UL94V-0,GWT 750°C



深圳市华德共创科技有限公司

Shenzhen Huade co-create Technology Co.,LTD

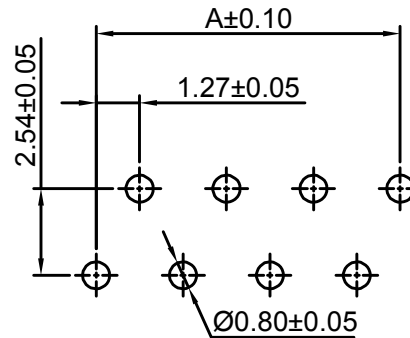
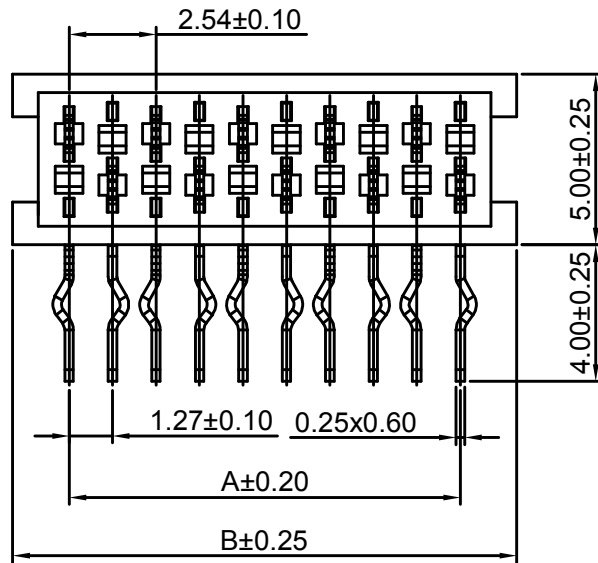
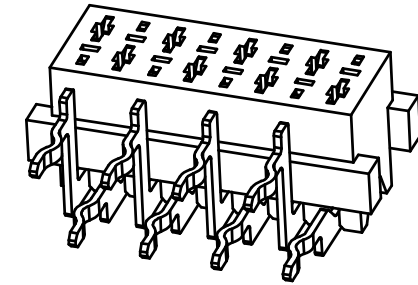
TEL : 0755-27129737 FAX : 0755-29940187

-TOLERANCES- UNLESS OTHERWISE SPECIFIED 公差参数表				TITLE: 产品名称: 1.27mm Pitch IDC 180° Wafer	
X.X	±0.30	X.X°	±3°	APPD: 核准:	XIE
X.XX	±0.30	X.XX°	±2°	CHECK: 校对:	WANG
X.XXX	±0.10	X.XXX°	±1°	DRAW: 绘图:	WANG
PART NO: 产品编号:		HDGC1277HWV-XP			
DATE	SCALE	UNIT	CODE NUMBER		
2017-12-18	8:1	mm	A008		

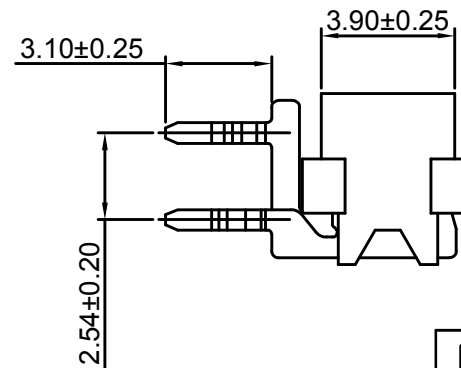
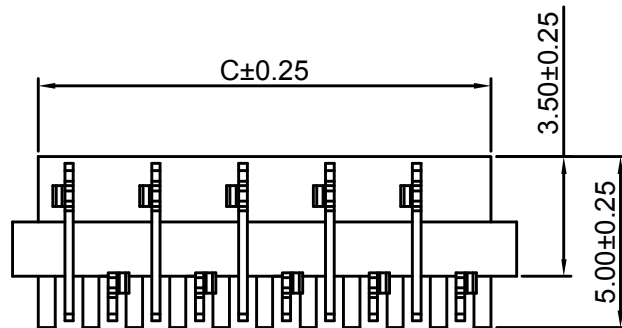
修订 REV	标记 MARK	修改摘要 REVISION DESCRIPTION	签名 SIGNATURE	日期 DATE
AO		NEW RELEASE	WANG	2017-12-18

Ordering Information:
HDGC1277HWR-XP - ***
 1 2

1.Part No.
 2:Material:
 (blank):Nylon 9T,UL94V-0
 GWT:Nylon 9T,UL94V-0,GWT 750°C



P.C.B LAYOUT



Ordering Information & Dimensions:

PART NO.	Dimensions		
	A	B	C
4P	3.81	7.00	5.60
6P	6.35	9.54	8.14
8P	8.89	12.08	10.68
10P	11.43	14.62	13.22
12P	13.97	17.16	15.76
14P	16.51	19.70	18.30
16P	19.05	22.24	20.84
18P	21.59	24.78	23.38
20P	24.13	27.32	25.92
22P	26.67	29.86	28.46
24P	29.21	32.40	31.00
26P	31.75	34.94	33.54

Unit: mm

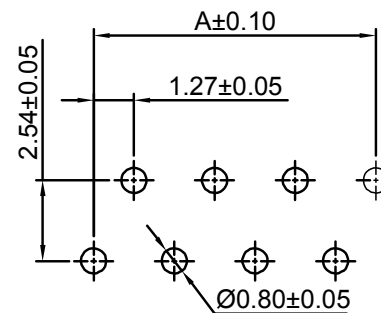
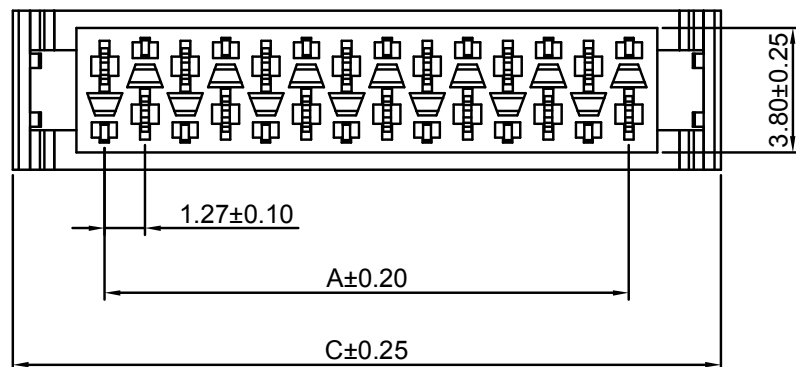


深圳市华德共创科技有限公司

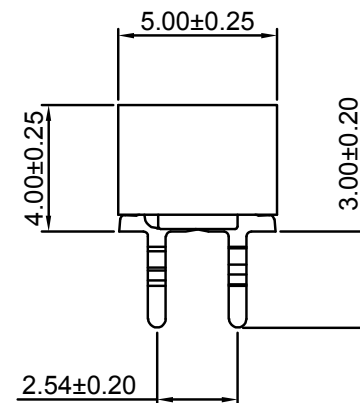
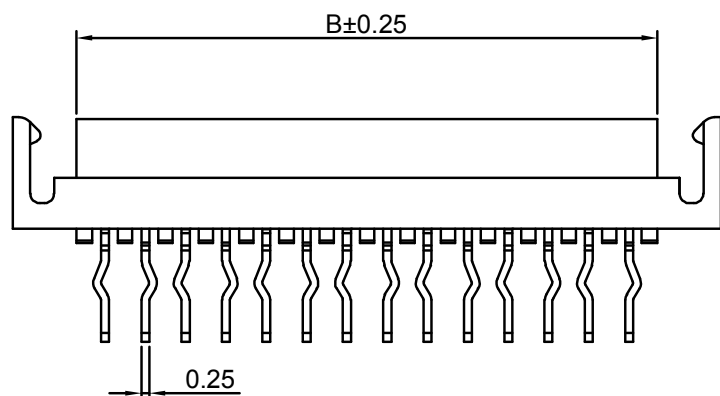
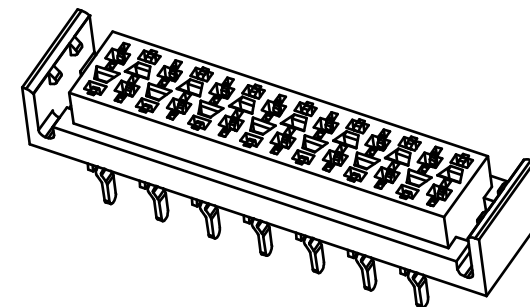
Shenzhen Huade co-create Technology Co.,LTD
 TEL : 0755-27129737 FAX : 0755-29940187

-TOLERANCES- UNLESS OTHERWISE SPECIFIED 公差参数表				 		TITLE: 1.27mm Pitch 产品名称: IDC 90° Wafer			
X.X	±0.30	X.X°	±3°	APPD: 核准:	XIE	PART NO: 产品编号: HDGC1277HWR-XP			
X.XX	±0.30	X.XX°	±2°	CHECK: 校对:	WANG	DATE	SCALE	UNIT	CODE NUMBER
X.XXX	±0.10	X.XXX°	±1°	DRAW: 绘图:	WANG	2017-12-18	8:1	mm	A008

修订 REV	标记 MARK	修改摘要 REVISION DESCRIPTION	签名 SIGNATURE	日期 DATE
AO		NEW RELEASE	WANG	2017-12-18



P.C.B LAYOUT



Ordering Information & Dimensions:

PART NO.	Dimensions		
	A	B	C
4P	3.81	5.60	9.70
6P	6.35	8.14	12.24
8P	8.89	10.68	14.78
10P	11.43	13.22	17.32
12P	13.97	15.76	19.86
14P	16.51	18.30	22.40
16P	19.05	20.84	24.94
18P	21.59	23.38	27.48
20P	24.13	25.92	30.02
22P	26.67	28.46	32.56
24P	29.21	31.00	35.10
26P	31.75	33.54	37.64

Unit: mm

Ordering Information:

HDGC1277HWVA-XP - ***
1 2

1:Part No.

2:Material:

(blank):Nylon 46,UL94V-0

GWT:Nylon 46,UL94V-0,GWT 750°C



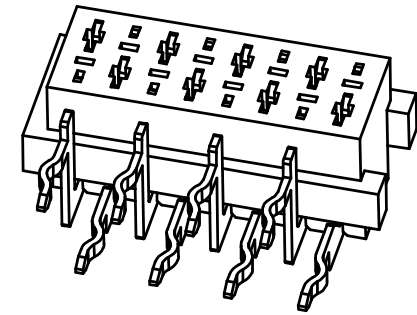
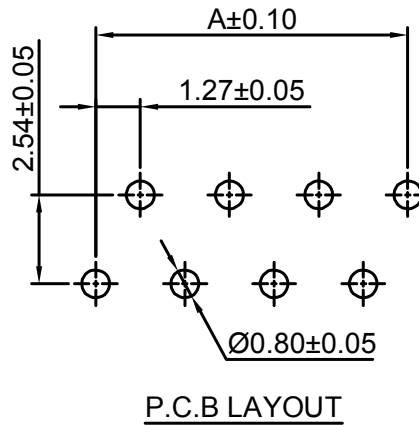
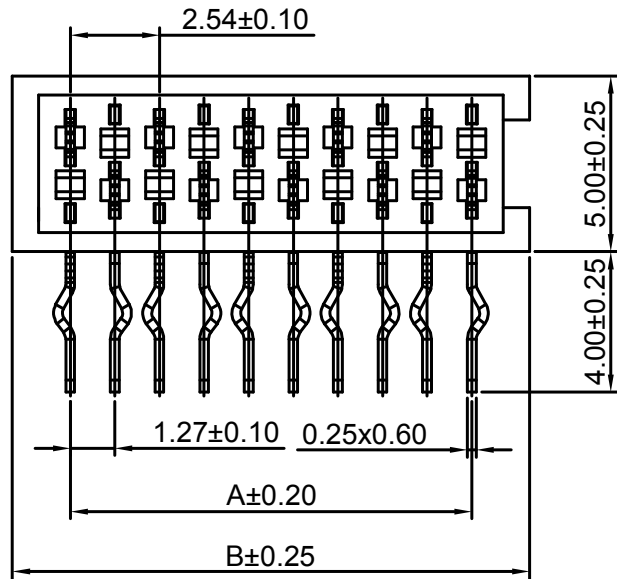
深圳市华德共创科技有限公司

Shenzhen Huade co-create Technology Co.,LTD

TEL : 0755-27129737 FAX : 0755-29940187

-TOLERANCES- UNLESS OTHERWISE SPECIFIED 公差参数表				TITLE: 1.27mm Pitch 产品名称: IDC 180° Wafer	
X.X	±0.30	X.X°	±3°	APPD: 核准:	XIE
X.XX	±0.30	X.XX°	±2°	CHECK: 校对:	WANG
X.XXX	±0.10	X.XXX°	±1°	DRAW: 绘图:	WANG
PART NO: 产品编号:		HDGC1277HWVA-XP			
DATE	SCALE	UNIT	CODE NUMBER		
2017-12-18	8:1	mm	A008		

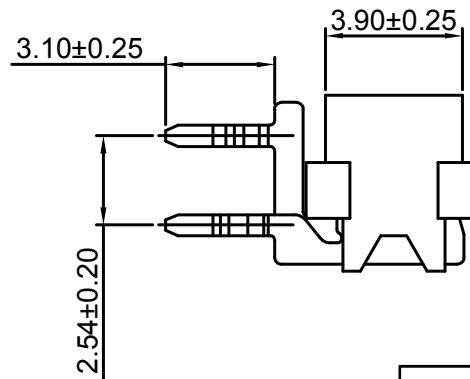
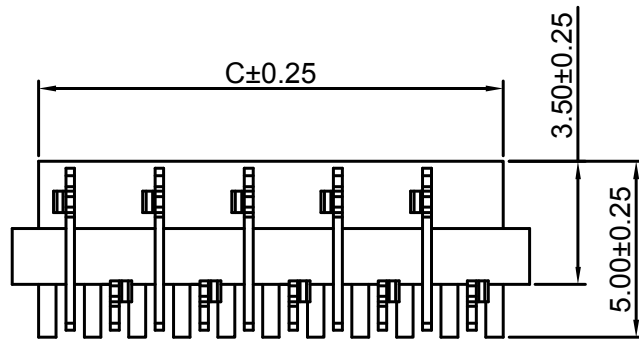
修订 REV	标记 MARK	修改摘要 REVISION DESCRIPTION	签名 SIGNATURE	日期 DATE
AO		NEW RELEASE	WANG	2017-12-18



Ordering Information & Dimensions:

PART NO.	Dimensions		
	A	B	C
4P	3.81	7.00	5.60
6P	6.35	9.54	8.14
8P	8.89	12.08	10.68
10P	11.43	14.62	13.22
12P	13.97	17.16	15.76
14P	16.51	19.70	18.30
16P	19.05	22.24	20.84
18P	21.59	24.78	23.38
20P	24.13	27.32	25.92
22P	26.67	29.86	28.46
24P	29.21	32.40	31.00
26P	31.75	34.94	33.54

Unit: mm



Ordering Information:
 HDGC1277HWRA-XP - ^{***}/₂

1.Part No.
 2:Material:
 (blank):Nylon 9T,UL94V-0
 GWT:Nylon 9T,UL94V-0,GWT 750°C

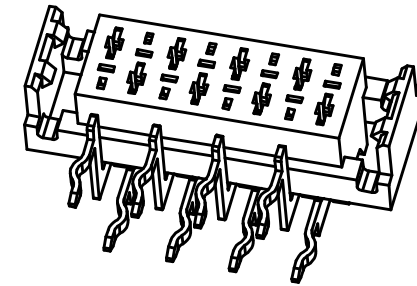
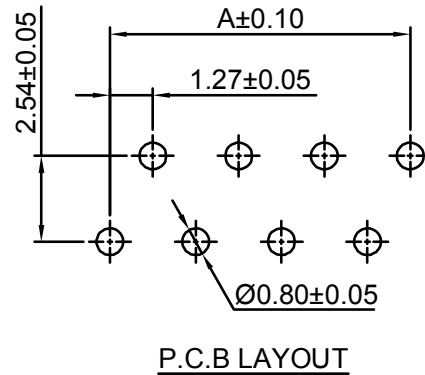
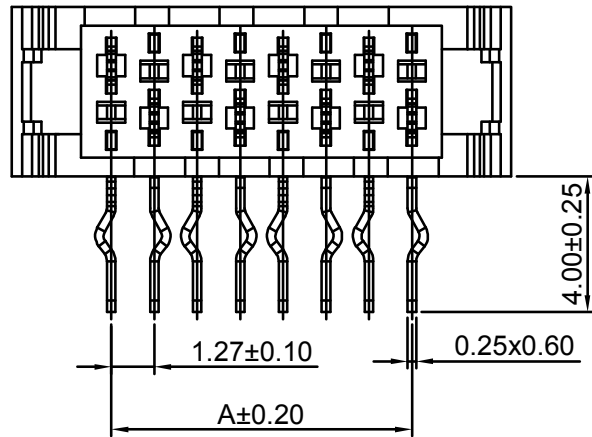


深圳市华德共创科技有限公司

Shenzhen Huade co-create Technology Co.,LTD
 TEL : 0755-27129737 FAX : 0755-29940187

-TOLERANCES- UNLESS OTHERWISE SPECIFIED 公差参数表						TITLE: 1.27mm Pitch 产品名称: IDC 90° Wafer			
X.X	±0.30	X.X°	±3°	APPD: 核准:	XIE	PART NO: 产品编号: HDGC1277HWRA-XP			
X.XX	±0.30	X.XX°	±2°	CHECK: 校对:	WANG	DATE	SCALE	UNIT	CODE NUMBER
X.XXX	±0.10	X.XXX°	±1°	DRAW: 绘图:	WANG	2017-12-18	8:1	mm	A008

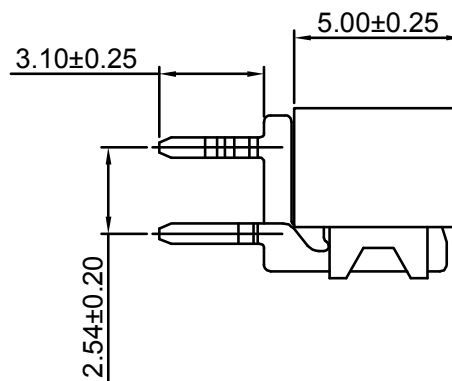
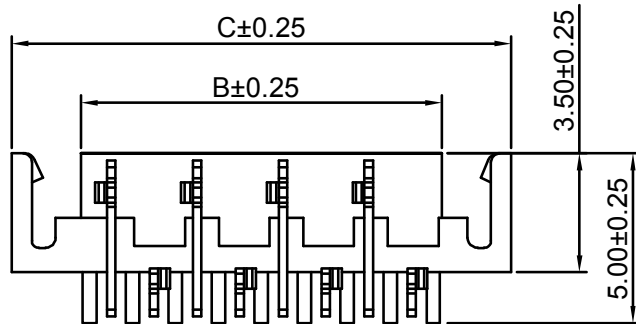
修订 REV	标记 MARK	修改摘要 REVISION DESCRIPTION	签名 SIGNATURE	日期 DATE
AO		NEW RELEASE	WANG	2017-12-18



Ordering Information & Dimensions:

PART NO.	Dimensions		
	A	B	C
4P	3.81	5.60	9.70
6P	6.35	8.14	12.24
8P	8.89	10.68	14.78
10P	11.43	13.22	17.32
12P	13.97	15.76	19.86
14P	16.51	18.30	22.40
16P	19.05	20.84	24.94
18P	21.59	23.38	27.48
20P	24.13	25.92	30.02
22P	26.67	28.46	32.56
24P	29.21	31.00	35.10
26P	31.75	33.54	37.64

Unit: mm



Ordering Information:
HDGC1277HWRB-XP - ***
 1 2

1.Part No.

2:Material:

(blank):Nylon 9T,UL94V-0

GWT:Nylon 9T,UL94V-0,GWT 750°C



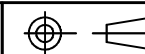
深圳市华德共创科技有限公司

Shenzhen Huade co-create Technology Co.,LTD

TEL : 0755-27129737

FAX : 0755-29940187

-TOLERANCES-
UNLESS OTHERWISE SPECIFIED
公差参数表



TITLE: 1.27mm Pitch
产品名称: IDC 90° Wafer

X.X ±0.30 X.X° ±3°

APPD: 核准: XIE

PART NO: HDGC1277HWRB-XP
产品编号:

X.XX ±0.30 X.XX° ±2°

CHECK: 校对: WANG

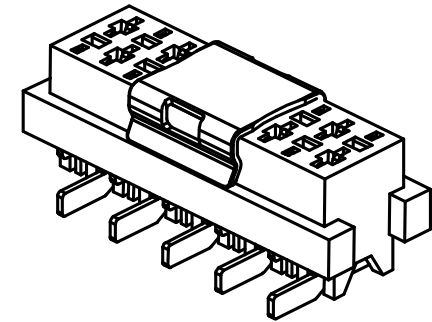
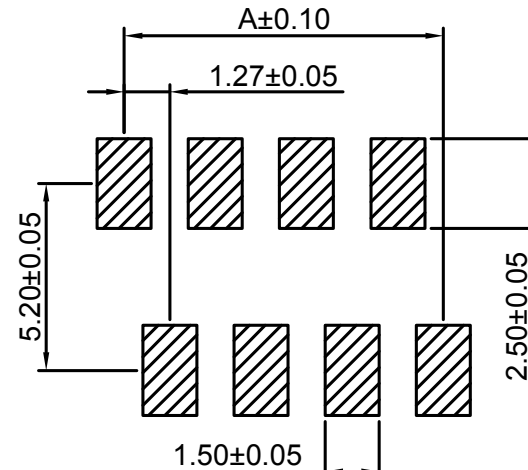
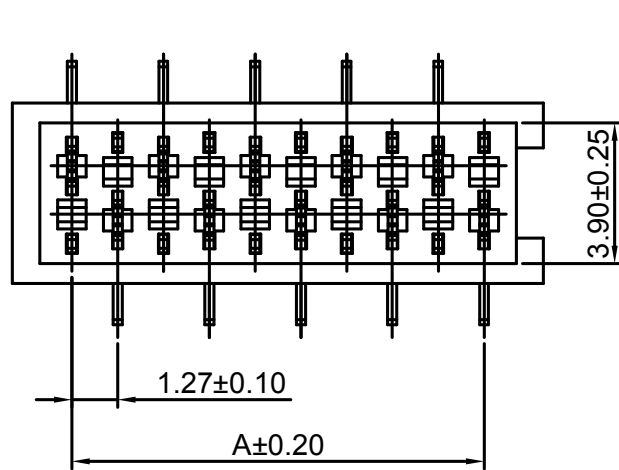
DATE SCALE UNIT CODE NUMBER

X.XXX ±0.10 X.XXX° ±1°

DRAW: 绘图: WANG

2017-12-18 8:1 mm A008

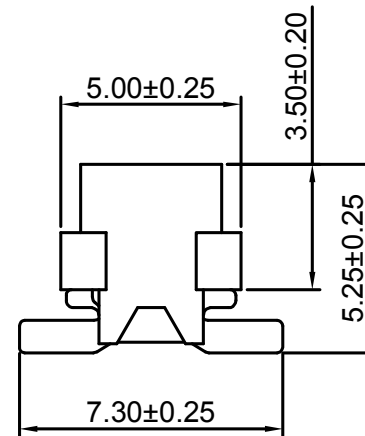
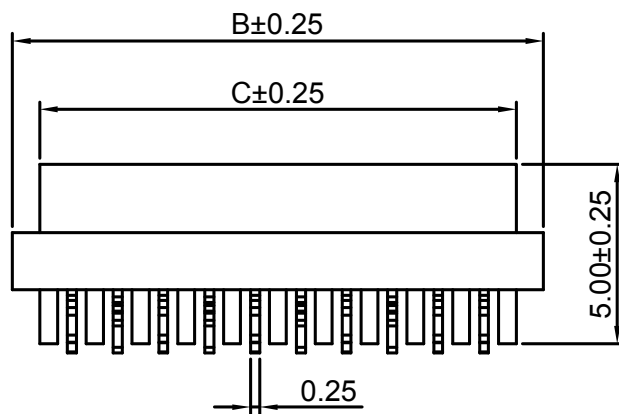
修订 REV	标记 MARK	修改摘要 REVISION DESCRIPTION	签名 SIGNATURE	日期 DATE
AO		NEW RELEASE	WANG	2017-12-18



Ordering Information & Dimensions:

PART NO.	Dimensions		
	A	B	C
4P	3.81	7.00	5.60
6P	6.35	9.54	8.14
8P	8.89	12.08	10.68
10P	11.43	14.62	13.22
12P	13.97	17.16	15.76
14P	16.51	19.70	18.30
16P	19.05	22.24	20.84
18P	21.59	24.78	23.38
20P	24.13	27.32	25.92
22P	26.67	29.86	28.46
24P	29.21	32.40	31.00
26P	31.75	34.94	33.54

Unit: mm



Ordering Information:
 HDGC1277HWV-S-XP - $\frac{***}{2}$

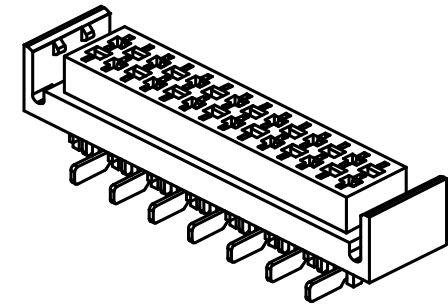
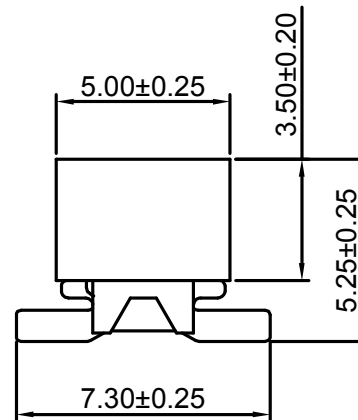
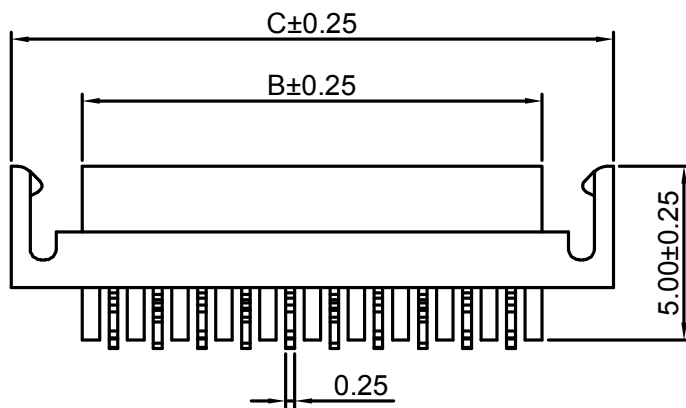
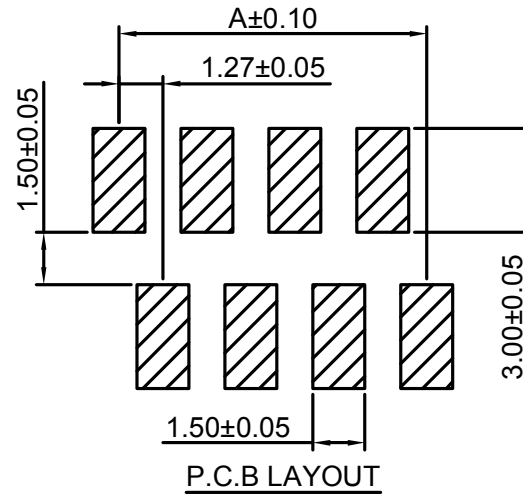
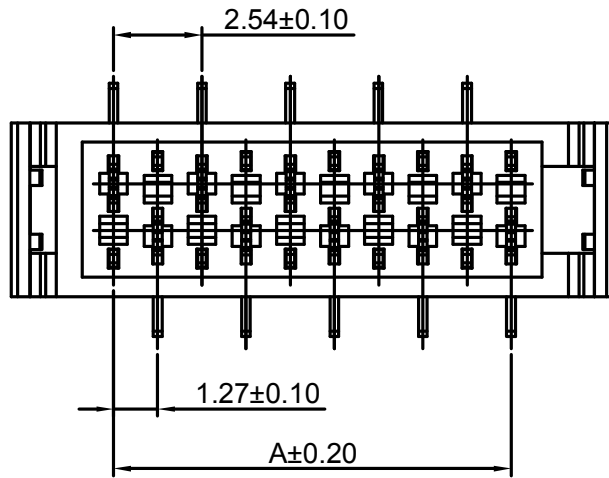
- Part No.
- Material:
 (blank): Nylon 9T, UL94V-0
 GWT: Nylon 9T, UL94V-0, GWT 750°C



深圳市华德共创科技有限公司
 Shenzhen Huade co-create Technology Co., LTD
 TEL : 0755-27129737 FAX : 0755-29940187

-TOLERANCES- UNLESS OTHERWISE SPECIFIED 公差参数表					TITLE: 1.27mm Pitch 产品名称: IDC 180° Wafer					
X.X	±0.30	X.X°	±3°	APPD: 核准:	XIE		PART NO: 产品编号: HDGC1277HWV-S-XP			
X.XX	±0.30	X.XX°	±2°	CHECK: 校对:	WANG		DATE	SCALE	UNIT	CODE NUMBER
X.XXX	±0.10	X.XXX°	±1°	DRAW: 绘图:	WANG		2017-12-18	8:1	mm	A008

修订 REV	标记 MARK	修改摘要 REVISION DESCRIPTION	签名 SIGNATURE	日期 DATE
AO		NEW RELEASE	WANG	2017-12-18



Ordering Information & Dimensions:

PART NO.	Dimensions		
	A	B	C
4P	3.81	5.60	9.70
6P	6.35	8.14	12.24
8P	8.89	10.68	14.78
10P	11.43	13.22	17.32
12P	13.97	15.76	19.86
14P	16.51	18.30	22.40
16P	19.05	20.84	24.94
18P	21.59	23.38	27.48
20P	24.13	25.92	30.02
22P	26.67	28.46	32.56
24P	29.21	31.00	35.10
26P	31.75	33.54	37.64

Unit: mm

Ordering Information:
HDGC1277HWVA-S-XP - $\frac{***}{2}$

- Part No.
- Material:
(blank): Nylon 6T, UL94V-0
GWT: Nylon 6T, UL94V-0, GWT 750°C

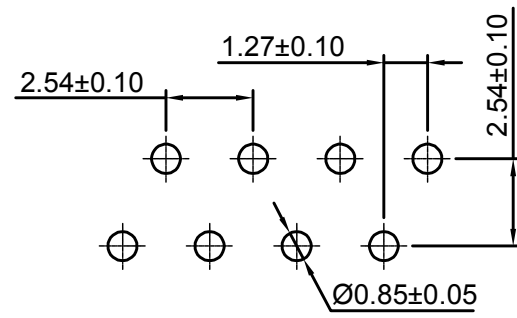
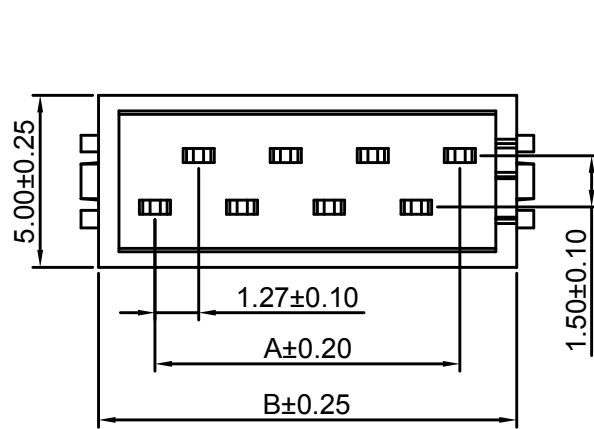


深圳市华德共创科技有限公司

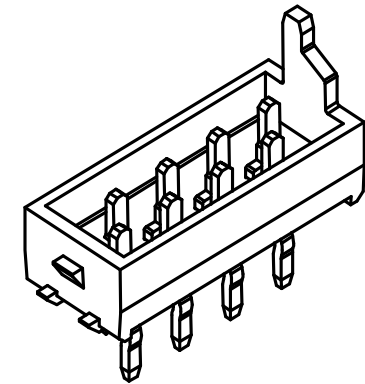
Shenzhen Huade co-create Technology Co., LTD
 TEL : 0755-27129737 FAX : 0755-29940187

-TOLERANCES- UNLESS OTHERWISE SPECIFIED 公差参数表						TITLE: 1.27mm Pitch 产品名称: IDC 180° Wafer			
X.X	±0.30	X.X°	±3°	APPD: 核准:	XIE	PART NO: 产品编号: HDGC1277HWVA-S-XP			
X.XX	±0.30	X.XX°	±2°	CHECK: 校对:	WANG	DATE	SCALE	UNIT	CODE NUMBER
X.XXX	±0.10	X.XXX°	±1°	DRAW: 绘图:	WANG	2017-12-18	8:1	mm	A008

修订 REV	标记 MARK	修改摘要 REVISION DESCRIPTION	签名 SIGNATURE	日期 DATE
AO		NEW RELEASE	WANG	2017-12-18



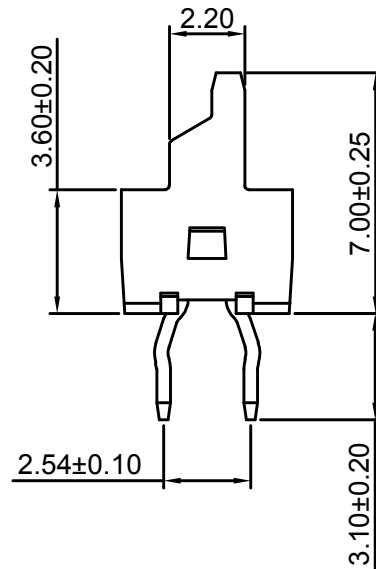
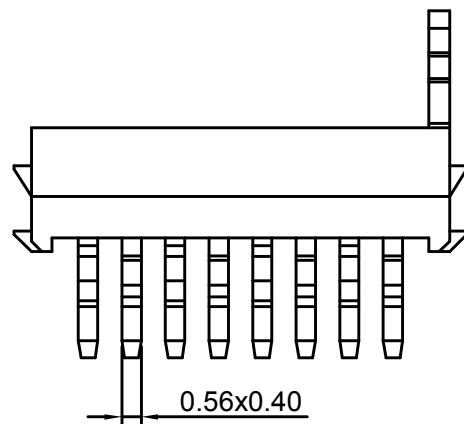
P.C.B LAYOUT



Ordering Information & Dimensions:

PART NO.	Dimensions	
	A	B
4P	3.81	7.11
6P	6.35	9.65
8P	8.89	12.19
10P	11.43	14.73
12P	13.97	17.27
14P	16.51	19.81
16P	19.05	22.35
18P	21.59	24.89
20P	24.13	27.43
22P	26.67	29.97
24P	29.21	32.51
26P	31.75	35.05

Unit: mm



Ordering Information:
HDGC1277HMWV-XP - ***
 1 2

1.Part No.
 2:Material:

(blank):PBT,UL94V-0
GWT:PBT,UL94V-0,GWT 750°C

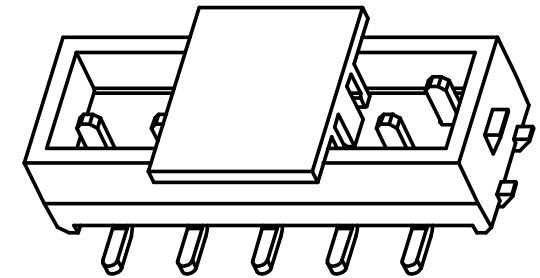
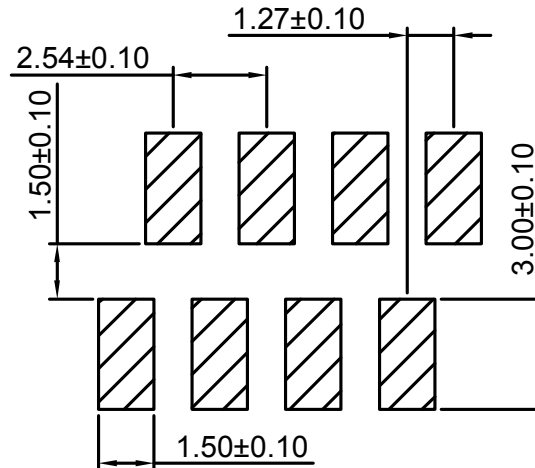
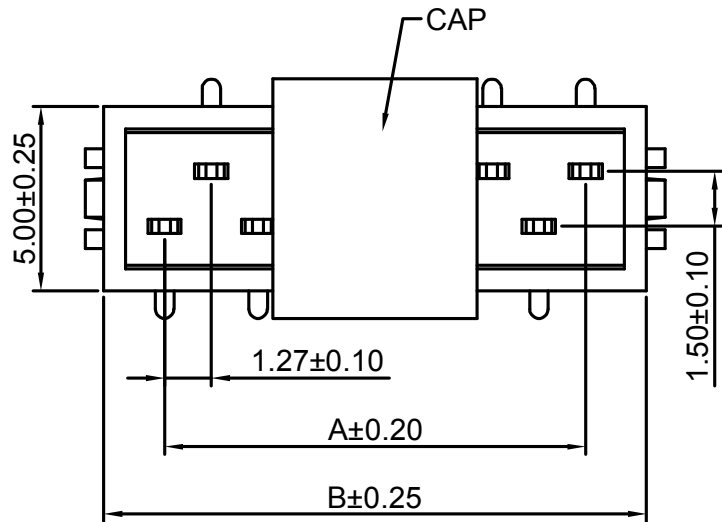


深圳市华德共创科技有限公司

Shenzhen Huade co-create Technology Co.,LTD
 TEL : 0755-27129737 FAX : 0755-29940187

-TOLERANCES- UNLESS OTHERWISE SPECIFIED 公差参数表				TITLE: 产品名称: 1.27mm Pitch IDC 180° Wafer	
X.X	±0.30	X.X°	±3°	APPD: 核准:	XIE
X.XX	±0.30	X.XX°	±2°	CHECK: 校对:	WANG
X.XXX	±0.10	X.XXX°	±1°	DRAW: 绘图:	WANG
PART NO: 产品编号:		HDGC1277HMWV-XP			
DATE	SCALE	UNIT	CODE NUMBER		
2017-12-18	8:1	mm	A008		

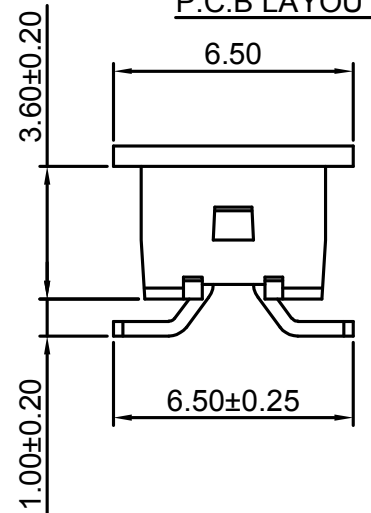
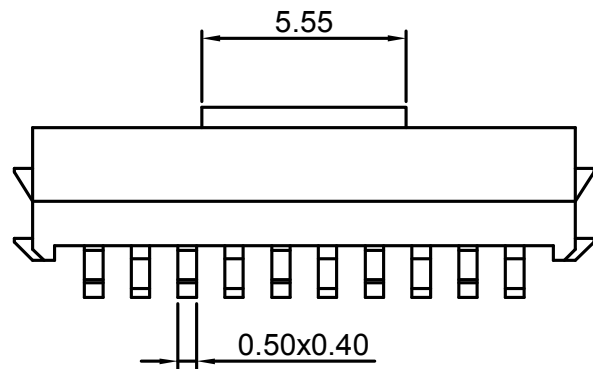
修订 REV	标记 MARK	修改摘要 REVISION DESCRIPTION	签名 SIGNATURE	日期 DATE
AO		NEW RELEASE	WANG	2017-12-18



Ordering Information & Dimensions:

PART NO.	Dimensions	
	A	B
4P	3.81	7.11
6P	6.35	9.65
8P	8.89	12.19
10P	11.43	14.73
12P	13.97	17.27
14P	16.51	19.81
16P	19.05	22.35
18P	21.59	24.89
20P	24.13	27.43
22P	26.67	29.97
24P	29.21	32.51
26P	31.75	35.05

Unit: mm



Ordering Information:
HDGC1277HMMWV-S-XP - ^{***}/₂

1.Part No.
 2:Material:
 (blank):Nylon 6T,UL94V-0
 GWT:Nylon 6T,UL94V-0,GWT 750°C

				深圳市华德共创科技有限公司 Shenzhen Huade co-create Technology Co.,LTD TEL : 0755-27129737 FAX : 0755-29940187			
-TOLERANCES- UNLESS OTHERWISE SPECIFIED 公差参数表						TITLE: 1.27mm Pitch 产品名称: IDC 180° Wafer	
X.X	±0.30	X.X°	±3°	APPD: 核准:	XIE	PART NO: 产品编号: HDGC1277HMMWV-S-XP	
X.XX	±0.30	X.XX°	±2°	CHECK: 校对:	WANG	DATE	SCALE
X.XXX	±0.10	X.XXX°	±1°	DRAW: 绘图:	WANG	2017-12-18	8:1
				UNIT	mm	CODE NUMBER	A008