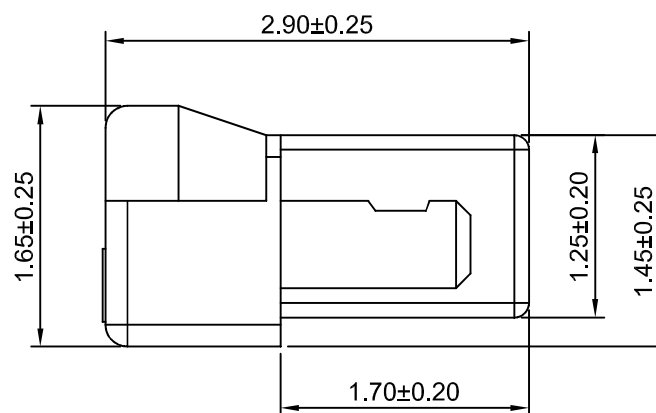
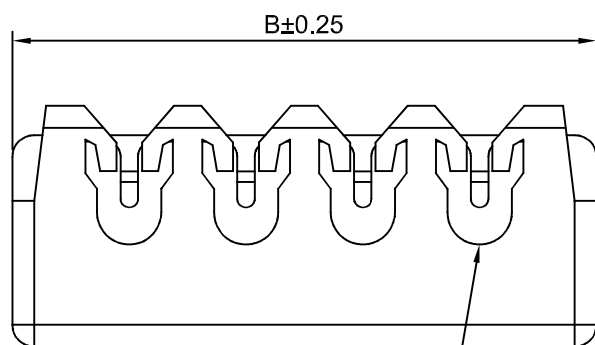
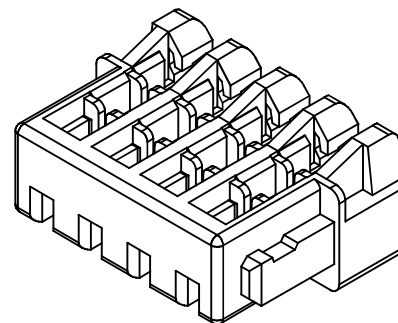
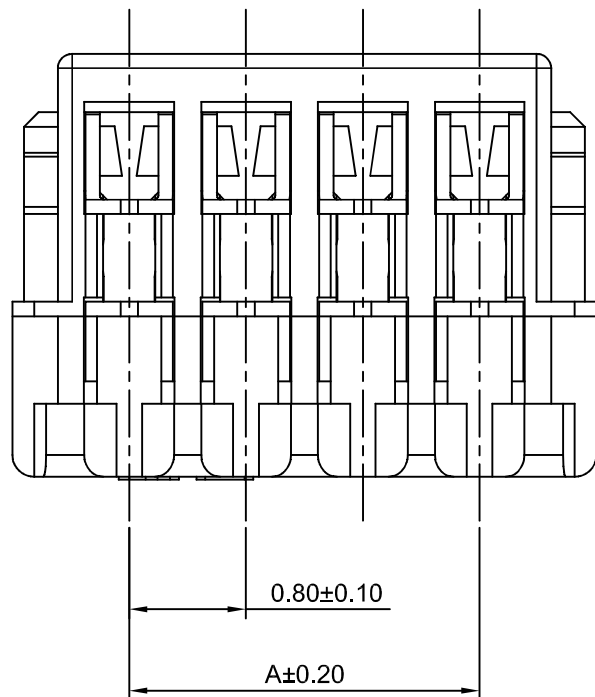


修订 REV	标记 MARK	修改摘要 REVISION DESCRIPTION	签名 SIGNATURE	日期 DATE
AO		NEW RELEASE	WANG	2019-06-19



Ordering Information & Dimensions

Circuits	Dimensions(mm)		Circuits	Dimensions(mm)	
	A	B		A	B
2P	0.80	2.40	10P	7.20	8.80
3P	1.60	3.20	11P	8.00	9.60
4P	2.40	4.00	12P	8.80	10.40
5P	3.20	4.80	13P	9.60	11.20
6P	4.00	5.60	14P	10.40	12.00
7P	4.80	6.40	15P	11.20	12.80
8P	5.60	7.20	16P	12.00	13.60
9P	6.40	8.00			

Circuit 1

SPECIFICATIONS:

Current rating: 0.5A AC,DC (AWG #32)
Voltage rating: 30V AC,DC
Temperature range: -25°C~+85°C
Contact resistance: 20mΩ Max.
Insulation resistance: 100MΩ Min.
Withstanding voltage: 200V AC/minute
Terminal: Phosphor Bronze/Tin-plated
Housing: Nylon 46,UL94V-0(Beige)



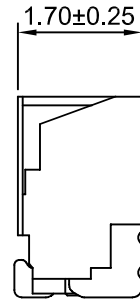
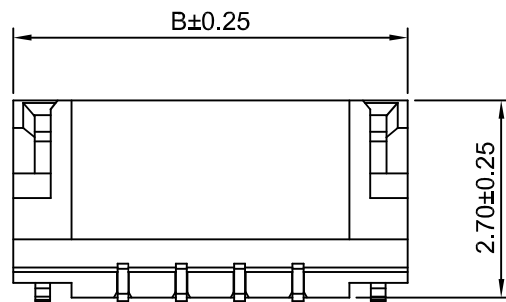
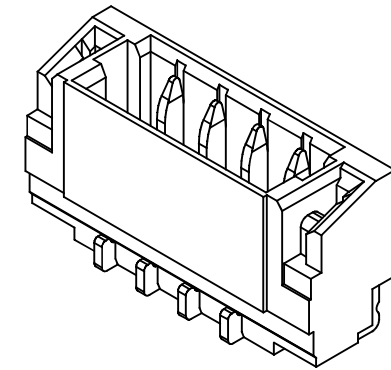
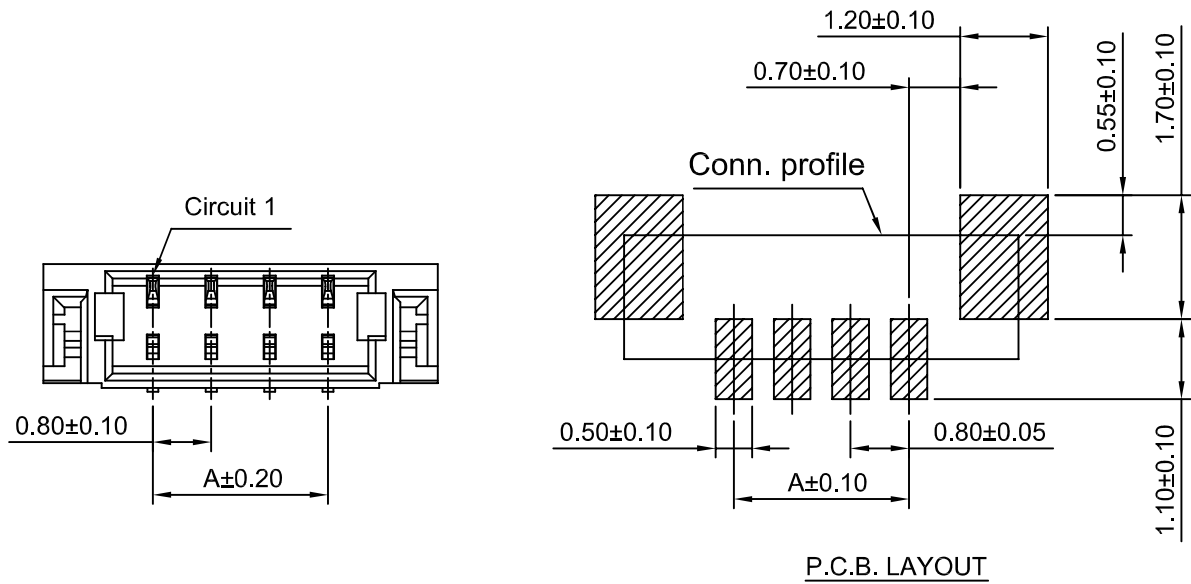
深圳市华德共创科技有限公司

Shenzhen Huade co-create Technology Co.,LTD

TEL : 0755-27129737 FAX : 0755-29940187

-TOLERANCES- UNLESS OTHERWISE SPECIFIED 公差参数表						TITLE: 0.80mm pitch Insulation 产品名称: Displacement Connector			
X.X	±0.30	X.X°	±3°	APPD: 核准:	XIE	PART NO: 产品编号: HDGC0802H-XP			
X.XX	±0.30	X.XX°	±2°	CHECK: 校对:	WANG	DATE	SCALE	UNIT	CODE NUMBER
X.XXX	±0.10	X.XXX°	±1°	DRAW: 绘图:	WANG	2019-06-19	20:1	mm	A008

修订 REV	标记 MARK	修改摘要 REVISION DESCRIPTION	签名 SIGNATURE	日期 DATE
AO		NEW RELEASE	WANG	2019-06-19



Ordering Information & Dimensions

Circuits	Dimensions(mm)		Circuits	Dimensions(mm)	
	A	B		A	B
2P	0.80	3.80	13P	9.60	12.60
3P	1.60	4.60	14P	10.40	13.40
4P	2.40	5.40	15P	11.20	14.20
5P	3.20	6.20	16P	12.00	15.00
6P	4.00	7.00	17P	12.80	15.80
7P	4.80	7.80	18P	13.60	16.60
8P	5.60	8.60	19P	14.40	17.40
9P	6.40	9.40	20P	15.20	18.20
10P	7.20	10.20	21P	16.00	19.00
11P	8.00	11.00	22P	16.80	19.80
12P	8.80	11.80			

SPECIFICATIONS:

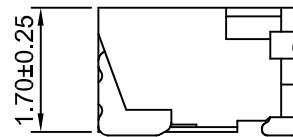
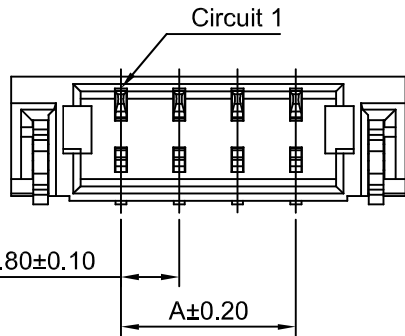
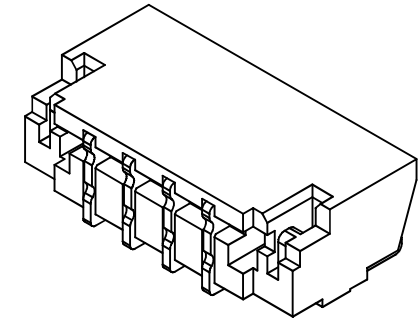
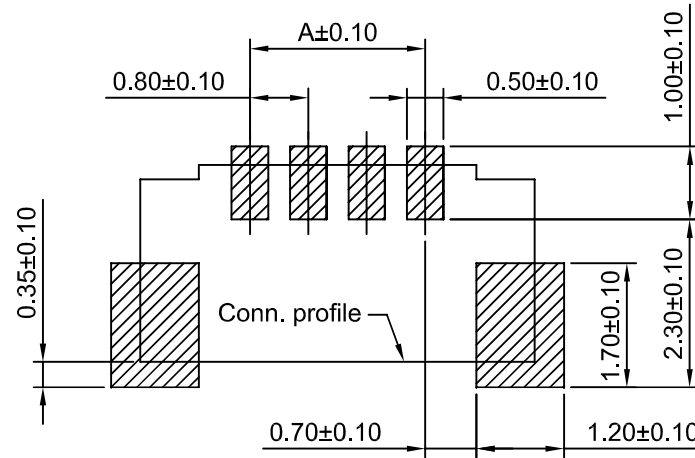
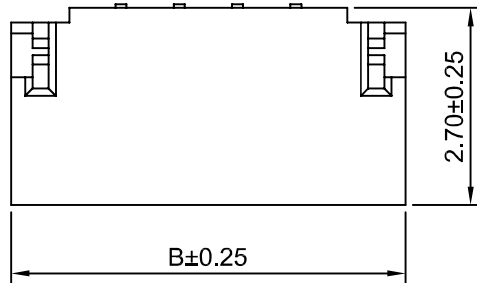
Current rating: 0.5A AC,DC
 Voltage rating: 30V AC,DC
 Temperature range: -25°C~+85°C
 Contact resistance: 20mΩ Max.
 Insulation resistance: 100MΩ Min.
 Withstanding voltage: 200V AC/minute
 Housing: Nylon 6T,UL94V-0(Beige)
 Terminal: Phosphor Bronze/Tin over Nickel

深圳市华德共创科技有限公司

Shenzhen Huade co-create Technology Co.,LTD
 TEL : 0755-27129737 FAX : 0755-29940187

-TOLERANCES- UNLESS OTHERWISE SPECIFIED 公差参数表			TITLE: 0.80mm Pitch 产品名称: 180° Wafer						
X.X	±0.30	X.X°	±3°	APPD: 核准:	XIE	PART NO: 产品编号: HDGC0802WV-S-XP			
X.XX	±0.30	X.XX°	±2°	CHECK: 校对:	WANG	DATE	SCALE	UNIT	CODE NUMBER
X.XXX	±0.10	X.XXX°	±1°	DRAW: 绘图:	WANG	2019-06-19	10:1	mm	A008

修订 REV	标记 MARK	修改摘要 REVISION DESCRIPTION	签名 SIGNATURE	日期 DATE
AO		NEW RELEASE	WANG	2019-06-19



P.C.B. LAYOUT

Ordering Information & Dimensions

Circuits	Dimensions(mm)		Circuits	Dimensions(mm)	
	A	B		A	B
2P	0.80	3.80	13P	9.60	12.60
3P	1.60	4.60	14P	10.40	13.40
4P	2.40	5.40	15P	11.20	14.20
5P	3.20	6.20	16P	12.00	15.00
6P	4.00	7.00	17P	12.80	15.80
7P	4.80	7.80	18P	13.60	16.60
8P	5.60	8.60	19P	14.40	17.40
9P	6.40	9.40	20P	15.20	18.20
10P	7.20	10.20	21P	16.00	19.00
11P	8.00	11.00	22P	16.80	19.80
12P	8.80	11.80			

SPECIFICATIONS:

Current rating: 0.5A AC,DC
Voltage rating: 30V AC,DC
Temperature range: -25°C~+85°C
Contact resistance: 20mΩ Max.
Insulation resistance: 100MΩ Min.
Withstanding voltage: 200V AC/minute
Housing: Nylon 6T,UL94V-0(Beige)
Terminal: Phosphor Bronze/Tin over Nickel



深圳市华德共创科技有限公司

Shenzhen Huade co-create Technology Co.,LTD
TEL : 0755-27129737 FAX : 0755-29940187

-TOLERANCES- UNLESS OTHERWISE SPECIFIED 公差参数表						TITLE: 0.80mm Pitch 产品名称: 90° Wafer			
X.X	±0.30	X.X°	±3°	APPD: 核准:	XIE	PART NO: 产品编号: HDGC0802WR-S-XP			
X.XX	±0.30	X.XX°	±2°	CHECK: 校对:	WANG	DATE	SCALE	UNIT	CODE NUMBER
X.XXX	±0.10	X.XXX°	±1°	DRAW: 绘图:	WANG	2019-06-19	10:1	mm	A008